



T&S BRASS AND BRONZE WORKS, INC.
 2 Saddleback Cove / P.O. Box 1088
 Travelers Rest, SC 29690

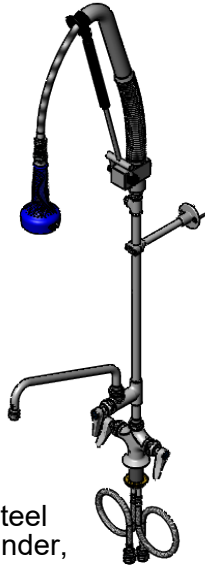
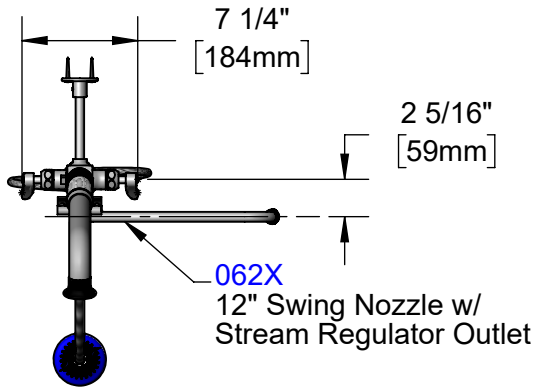
Model No.
B-0113-12CRB8TP

Item No.

Travelers Rest, SC: 800-476-4103 • Simi Valley, CA: 800-423-0150 • Fax: 864-834-3518 • www.tsbrass.com

This Space for Architect/Engineer Approval

Job Name _____ Date _____
 Model Specified _____ Quantity _____
 Customer/Wholesaler _____
 Contractor _____
 Architect/Engineer _____



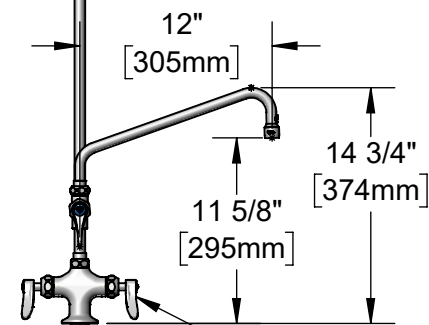
30" Flexible Stainless Steel
 Hose w/ Spring, Air Cylinder,
 Swivel & 1.07 GPM Sprayer

Items Not Shown
 For Clarity

B-TEE-RGD
 Tee for Accessory
 Fittings

Direction of Tee is
 Discretion of End-User
 During Installation

3/8" NPT x 18" Riser

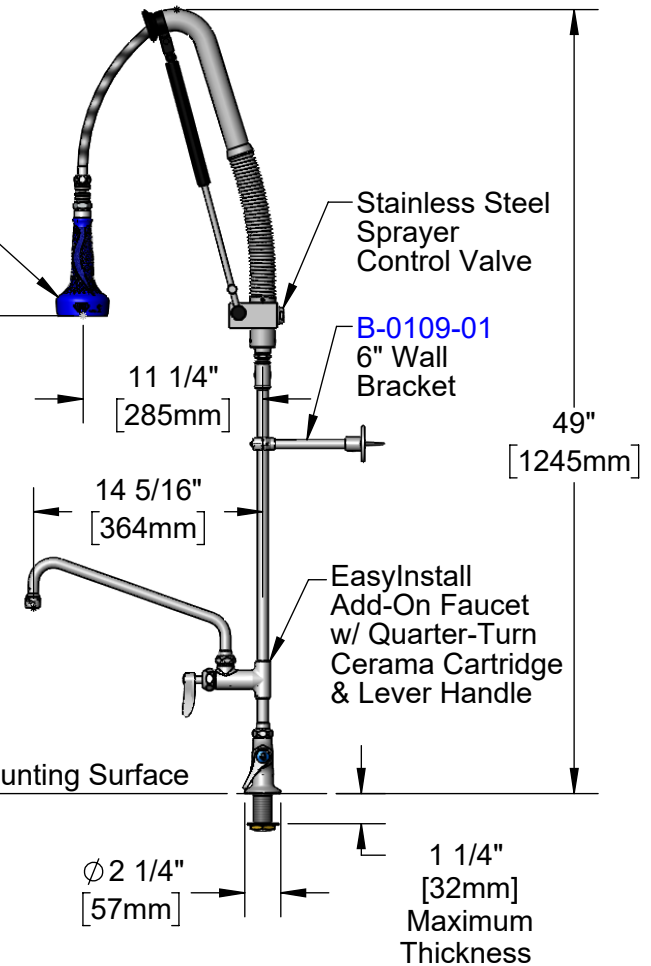


Quarter-Turn Cerama Cartridges
 w/ Check Valves & Lever Handles
 w/ Color Coded Indexes

18" Flexible Stainless Steel
 Supply Hoses

Compression Fittings for 5/8" O.D. Copper
 Tubing (Remove Compression Nut
 for 1/2" NPSM Male)

Rough-In Requirement:
 ϕ 1 1/2" [ϕ 38mm] Mounting Hole



Stainless Steel
 Sprayer
 Control Valve

B-0109-01
 6" Wall
 Bracket

EasyInstall
 Add-On Faucet
 w/ Quarter-Turn
 Cerama Cartridge
 & Lever Handle

Mounting Surface

ϕ 2 1/4"
 [57mm]

1 1/4"
 [32mm]
 Maximum
 Thickness

Product Specifications:

EasyInstall Pre-Rinse Unit: Single Hole Deck Mount Faucet, Quarter-Turn Cerama Cartridges w/ Check Valves, Lever Handles, Add-On Faucet w/ 12" Swing Nozzle, 18" Riser, Flexible Stainless Steel Hose, Pull Down Activated 1.07 GPM Spray Outlet w/ Ball-Joint Swivel, Flexible Supply Hoses and 6" Wall Bracket

Product Compliance:

ASME A112.18.1 / CSA B125.1
 NSF 61 - Section 9
 NSF 372 (Low Lead Content)
 2019 DOE PRSV - Class II



T&S BRASS AND BRONZE WORKS, INC.

2 Saddleback Cove / P.O. Box 1088
Travelers Rest, SC 29690

Model No.

B-0113-12CRB8TP

Item No.

Travelers Rest, SC: 800-476-4103 • Simi Valley, CA: 800-423-0150 • Fax: 864-834-3518 • www.tsbrass.com

ITEM NO.	SALES NO.	DESCRIPTION
1	108SF-RK	Spray Face Repair Kit
2	019898-40	1.07 GPM Sprayer w/ Swivel
3	001014-45	Washer, Hose Barrel
4	005221-25	7/8-20 UN x 1/2" BSPP Adapter
5	021046-45	Stainless Steel Ball-Joint Swivel
6	019901-45	30" Stainless Steel Braided Hose w/ 1/2" NPSM Threads
7	020062-45	Air Cylinder Repair Kit
8	020060-45	Spring & Tube Repair Kit
9	020061-45	Valve Stem Repair Kit
10	020063-45	Valve Body Repair Kit
11	001359-40	Hex Bushing, 1/2" NPT Male x 3/8" NPT Female
12	B-TEE-RGD	3/8" NPT Rigid Tee
13	B-0109-01	6" Wall Bracket
14	000369-40	3/8" NPT x 18" Riser
15	B-0155-CR-LN	Add-On Faucet: Less Nozzle
16	EZ-K	EasyInstall Kit: Nut, Bushing, O-Ring & Lock Washer
17	012395-25NS	Quarter-Turn Cerama Cartridge w/ Check Valve, LTC
18	001638-45NS	Lever Handle (New Style)
19	012447-25NS	Quarter-Turn Cerama Cartridge w/ Check Valve, Handle, Blue Index & Screw LTC
20	002290-45	Lock Washer
21	000965-45	Lock Nut
22	012534-45	18" Flexible Supply Hose (2)
23	020064-45	PRU Control Valve Seal Repair Kit
24	012394-25NS	Quarter-Turn Cerama Cartridge w/ Check Valve, RTC
25	012446-25NS	Quarter-Turn Cerama Cartridge w/ Check Valve, Handle, Red Index & Screw RTC
26	000925-45	Lab Handle Screw
27	001193-19NS	Red Button Index, Press-in
28	018506-19NS	Blue Button Index, Press-in
29	B-PT	Full Flow Stream Regulator, 55/64-27
30	062X	12" Swing Nozzle
31	021047-40	Hose, Sprayer & Swivel

Product Specifications:
EasyInstall Pre-Rinse Unit: Single Hole Deck Mount Faucet, Quarter-Turn Cerama Cartridges w/ Check Valves, Lever Handles, Add-On Faucet w/ 12" Swing Nozzle, 18" Riser, Flexible Stainless Steel Hose, Pull Down Activated 1.07 GPM Spray Outlet w/ Ball-Joint Swivel, Flexible Supply Hoses and 6" Wall Bracket

Product Compliance:
ASME A112.18.1 / CSA B125.1
NSF 61 - Section 9
NSF 372 (Low Lead Content)
2019 DOE PRSV - Class II