



**Limited One Year Warranty
(Commercial Applications)**

T&S warrants to the original purchaser (other than for purposes of resale) that such product is free from defects in material and workmanship for a period of one (1) year from the date of purchase. During this one-year warranty period, if the product is found to be defective, T&S shall, at its options, repair and/or replace it. To obtain warranty service, products must be returned to...

*T&S Brass and Bronze Works, Inc.
Attn: Warranty Repair Department
2 Saddleback Cove
Travelers Rest, SC 29690*

Shipping, freight, insurance, and other transportation charges of the product to T&S and the return of repaired or replaced product to the purchaser are the responsibility of the purchaser. Repair and/or replacement shall be made within a reasonable time after receipt by T&S of the returned product. This warranty does not cover items which have received secondary finishing or have been altered or modified after purchase, or for defects caused by physical abuse or misuse of the product, or shipment of the products.

Any express warranty not provided herein, and any remedy for Breach of Contract which might arise, is hereby excluded and disclaimed. Any implied warranties of merchantability or fitness for a particular purpose are limited to one year in duration. Under no circumstances shall T&S be liable for loss of use or any special consequential costs, expenses or damages.

Some states do not allow limitations on how long and implied warranty lasts or the exclusion or limitation of incidental or consequential damages, so the above limitations or exclusions may not apply to you. Specific rights under this warranty and other rights vary from state to state.

Attention California Residents:

⚠️ WARNING This product can expose you to chemicals including Lead, Chromium (hexavalent compounds) and Phthalates (DEHP) which are known to the State of California to cause cancer and birth defects or other reproductive harm.

For more information go to
www.P65Warnings.ca.gov.

P/N: 098-011027-45 Rev.12
Date: 10-09-19
Drawn: TED
Checked: JRM 11-11-19
Approved: JHB 02-14-20

Installation and Maintenance Instructions



PRE-RINSE SPRAY VALVE

- | | | |
|-------------------|----------------|--------------------|
| B-0107 | B-10K | EB-0107 |
| B-0107-035 | B-10K-C | EB-0107-C |
| B-0107-090 | B-10K-J | EB-0107-C35 |
| B-0107-C | | EB-0107-J |
| B-0107-C35 | | EB-10K |
| B-0107-C90 | | EB-10K-C |
| B-0107-J | | EB-10K-J |
| B-0107-J90 | | |

Español:

Instrucciones de instalación y mantenimiento

Français:

Instructions pour l'installation et la maintenance

Deutsch:

Installations- und Wartungsanleitungen

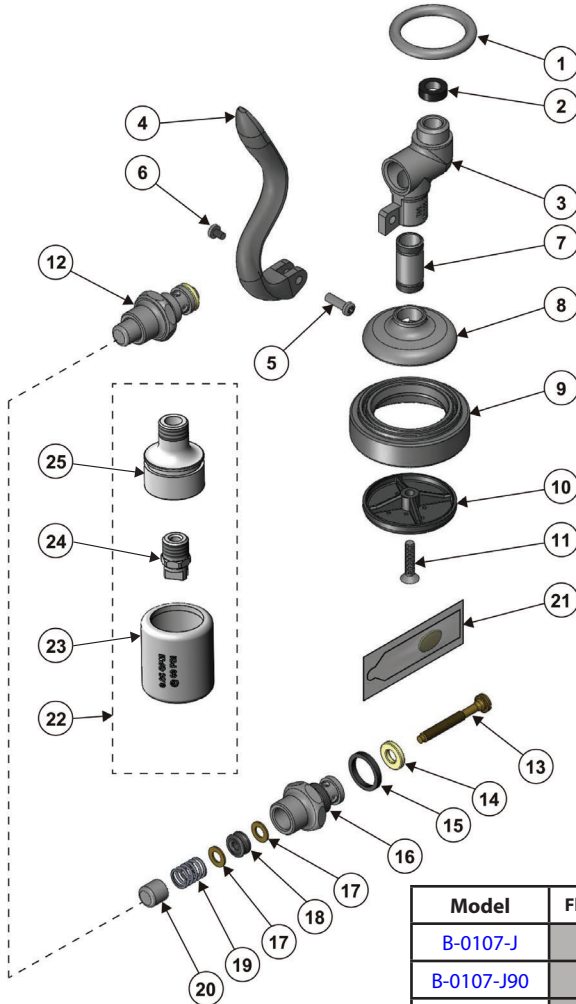
Italiano:

Istruzioni di installazione e manutenzione

中文:

安装与维护说明

Exploded View



| Model | Flow (gpm) [L/min] | Force (ozf) [N] |
|------------|--------------------|-----------------|
| B-0107-J | 1.07 [4.1] | 7.2 [2.0] |
| B-0107-J90 | 1.07 [4.1] | 7.2 [2.0] |
| B-10K-J | 1.07 [4.1] | 7.2 [2.0] |
| EB-0107-J | 1.07 [4.1] | 7.2 [2.0] |

| | | |
|------------|------------|-----------|
| EB-10K-J | 1.15 [4.4] | 7.5 [2.1] |
| B-0107 | 1.15 [4.4] | 7.5 [2.1] |
| B-0107-035 | 1.15 [4.4] | 7.5 [2.1] |
| B-0107-090 | 1.15 [4.4] | 7.5 [2.1] |
| B-10K | 1.15 [4.4] | 7.5 [2.1] |

| Model | Flow (gpm) [L/min] | Force (ozf) [N] |
|-------------|--------------------|-----------------|
| B-0107-C | 0.65 [2.5] | 4.4 [1.2] |
| B-0107-C35 | 0.65 [2.5] | 4.4 [1.2] |
| B-0107-C90 | 0.65 [2.5] | 4.4 [1.2] |
| B-10K-C | 0.65 [2.5] | 4.4 [1.2] |
| EB-0107-C | 0.65 [2.5] | 4.4 [1.2] |
| EB-0107-C35 | 0.65 [2.5] | 4.4 [1.2] |
| EB-10K-C | 0.65 [2.5] | 4.4 [1.2] |

| | | |
|-------------|-------------|-----------|
| EB-0107 | 5.60 [21.2] | 8.3 [2.3] |
| EB-0107-035 | 5.60 [21.2] | 8.3 [2.3] |
| EB-10K | 5.60 [21.2] | 8.3 [2.3] |

Grey Part Number Guide

PARTS KIT

PARTS FOR ANY GREY T&S SPRAY VALVE

| | | | |
|-------|---|-------------------|-----------|
| 1,2,3 | 1 | Ring, Hold Down | 000907-45 |
| | 2 | #27 Washer | 010476-45 |
| | 3 | Body, Spray Valve | 000065-40 |
| | 4 | Grey Handle | 001120-45 |
| | 5 | Nut, Handle | 003198-45 |
| | 6 | Screw, Handle | 003199-45 |

PARTS FOR ANY GREY BONNET ASSEMBLY

| | | | |
|-------|----|------------------------|-----------|
| 1,2,3 | 12 | Bonnet Assembly | 002856-40 |
| | 13 | Stem | 009306-20 |
| 1,2,3 | 14 | Washer, Seat | 012915-45 |
| 1,2,3 | 15 | Washer, Bonnet Binding | 001040-45 |
| | 16 | Bonnet | 000608-25 |
| 1,2,3 | 17 | Washer, Bonnet Brass | 000974-45 |
| 1,2,3 | 18 | Stem, Packing | 001100-45 |
| 1,2,3 | 19 | Spring, Bonnet | 000895-45 |
| | 20 | Push Button | 000753-25 |
| 1,2,3 | 21 | Grease Pack | 012665-45 |

GREY SPRAY VALVES

| | | | |
|---|----|--|-------------|
| | | <i>B-0107 (1.15 GPM 7.5 Ozf)</i> | |
| | 7 | Nipple | 000694-40 |
| | 8 | Cup, Spray | 000019-40 |
| 1 | 9 | Ring, Sprayhead | 007861-45 |
| 1 | 10 | 1.15 GPM Sprayface (1.15 Stamped on Face) | 001121-45 |
| 1 | 11 | Screw, Sprayface | 000913-45 |
| | | <i>B-0107-C (0.65 GPM 4.4 Ozf)</i> | |
| | 22 | Assembly, B-0107-C Spray Nozzle | 002662-40 |
| 2 | 23 | 0.65 GPM Grey Shield (No Outline Around Lettering) | 002659-45NS |
| | 24 | 0.65 GPM Spray Nozzle (0.65 Stamped on Face) | N/A |
| | | <i>B-0107-J (1.07 GPM 7.2 Ozf)</i> | |
| | 22 | Assembly, B-0107-J Spray Nozzle | N/A |
| 3 | 23 | 1.07 GPM Grey Shield (Square Outline) | 018292-45NS |
| | 24 | 1.07 GPM Spray Nozzle (1.07 Stamped on Face) | N/A |
| | 25 | Nozzle Holder | N/A |

#1 Parts included in [B-10K](#)

#2 Parts included in [B-10K-C](#)

#3 Parts included in [B-10K-J](#)

Blue Part Number Guide

PARTS KIT

PARTS FOR ANY BLUE T&S SPRAY VALVE

| | | | |
|---------|---|-------------------|-----------|
| 4,5,6,7 | 1 | Ring, Hold Down | 000907-45 |
| | 2 | #27 Washer | 010476-45 |
| | 3 | Body, Spray Valve | 000065-40 |
| | 4 | Blue Handle | 011454-45 |
| | 5 | Nut, Handle | 003198-45 |
| | 6 | Screw, Handle | 003199-45 |

PARTS FOR ANY BLUE BONNET ASSEMBLY

| | | | |
|---------|----|------------------------|-----------|
| 4,5,6,7 | 12 | Bonnet Assembly | 010594-40 |
| | 13 | Stem | 009306-20 |
| 4,5,6,7 | 14 | Washer, Seat | 010563-45 |
| 4,5,6,7 | 15 | Washer, Bonnet Binding | 010565-45 |
| | 16 | Bonnet | 000608-25 |
| 4,5,6,7 | 17 | Washer, Bonnet Brass | 000974-45 |
| 4,5,6,7 | 18 | Quad Seal | 014615-45 |
| 4,5,6,7 | 19 | Spring, Bonnet | 000895-45 |
| | 20 | Push Button | 000753-25 |
| 4,5,6,7 | 21 | Grease Pack | 010573-45 |

BLUE SPRAY VALVES

| | | | |
|-----|----|--|-------------|
| | | EB-0107 & UK-0107 Only | |
| | 7 | Nipple | 000694-40 |
| | 8 | Cup, Spray | 000019-40 |
| 4,7 | 9 | Ring, Sprayhead | 011475-45 |
| 4,7 | 11 | Screw, Sprayface | 000913-45 |
| | | EB-0107 (5.6 GPM 8.3 Ozf) | |
| 4 | 10 | 5.6 GPM Sprayface (No Wording on Face) | 011456-45 |
| | | UK-0107 (1.15 GPM 7.5 Ozf) | |
| 7 | 10 | 1.15 GPM Sprayface (Flow Rate on Face) | N/A |
| | | EB-0107-C (0.65 GPM 4.4 Ozf) | |
| | 22 | Assembly, EB-0107-C Spray Nozzle | N/A |
| 5 | 23 | 0.65 GPM Blue Shield (No Outline Around Lettering) | 011499-45NS |
| | 24 | 0.65 GPM Spray Nozzle (0.65 Stamped on Face) | N/A |
| | | EB-0107-J (1.07 GPM 7.2 Ozf) | |
| | 22 | Assembly, EB-0107-J Spray Nozzle | N/A |
| 6 | 23 | 1.07 GPM Blue Shield (Square Outline) | 018293-45NS |
| | 24 | 1.07 GPM Spray Nozzle (1.07 Stamped on Face) | N/A |
| | 25 | Nozzle Holder | N/A |

#4 Parts included in [EB-10K](#)

#5 Parts included in [EB-10K-C](#)

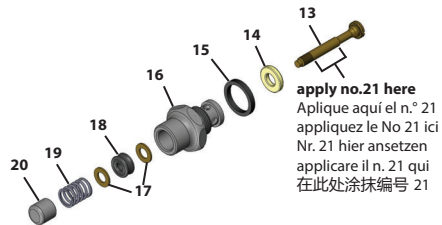
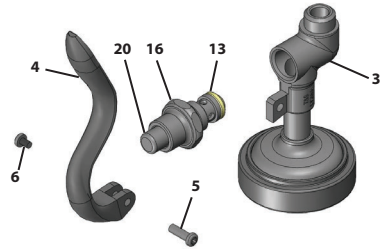
#6 Parts included in [EB-10K-J](#)

#7 Parts included in [UK-10K](#)



To replace worn parts:

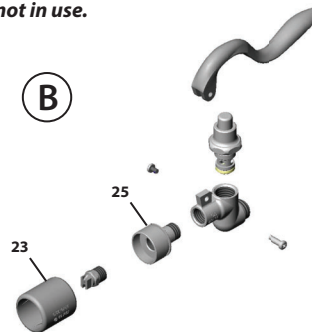
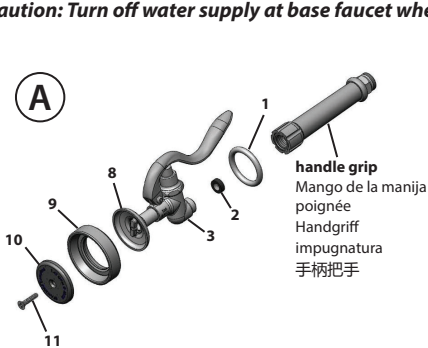
1. Shut off water supply and drain lines. For ease of disassembly and reassembly, the *handle grip* can be removed from no.3.
2. Unscrew no.5 and no.6 to remove no.4. Unscrew and remove no.16 from no.3.
3. Hold no.20 with pliers in one hand, and with screwdriver, carefully unscrew no.13 from no.16.
4. Apply no.21 over smooth portion of no.13. Replace no.14, no.15, no.17, no.18 & no.19 with new parts. Dab no.21 onto valve side of no.19 before replacing.
5. Reassemble no.16 by inserting no.13 through all parts. Hold no.20 with pliers, and carefully screw no.13 into no.20 until screw feels tight. Do not use excessive force.
6. Reinsert no.16 in no.3 and tighten securely.



7. Reassemble no.4, no.5 and no.6 on no.3.
8. For **EB-0107/UK-0107 & B-0107 ONLY**: To replace no.9, unscrew no.11 and disassemble. Make sure the groove side of no.9 fits over no.8, and no.10 rest on ridge side. See Figure A.
9. To replace no.2, unscrew handle grip from no.3 and replace with new no.2.
10. Reassemble; turn on water check for leaks.
11. For **EB-0107-C, EB-0107-J, B-0107-C & B-0107-J ONLY**: To replace no.23, slide no.23 off no.25, and slide a new no.23 back onto no.25. No.23 will snap into groove on no.25. See Figure B.

* Verify the flow rate on no.23 matches spray tip inside no.25.

Caution: Turn off water supply at base faucet when not in use.



Para reemplazar las piezas desgastadas:

1. Corte el suministro de agua y drene las líneas. Para facilitar el desarmado y armado, el *mango de la manija* se puede quitar del n.º 3.
2. Destornille el n.º 5 y n.º 6 para quitar el n.º 4. Destornille y quite el n.º 16 del n.º 3.
3. Con una mano sostenga el n.º 20 con pinzas y con el destornillador quite cuidadosamente el n.º 13 del n.º 16.

4. Applique el n.º 21 sobre una parte del n.º 13. Reemplace los números 14, 15, 17, 18 y 19 con partes nuevas. Golpee ligeramente el n.º 21 por el lado de la válvula del n.º 19 antes de reemplazarlo.
5. Vuelva a armar el n.º 16 insertando el n.º 13 por todas las partes. Sostenga el n.º 20 con pinzas y atornille cuidadosamente el n.º 13 dentro del n.º 20 hasta que el tornillo quede ajustado. No aplique fuerza excesiva.
6. Vuelva a insertar el n.º 16 dentro del n.º 3 y ajuste firmemente.
7. Vuelva a armar los números 4, 5 y 6 en el n.º 3.
8. ÚNICAMENTE **PARA EB-0107/UK-0107 y B-0107** : Para reemplazar el n.º 9, destornille el n.º 11 y desarme. Asegúrese de que el lado de la ranura del n.º 9 se ajuste al n.º 8, y que el n.º 10 descansa en el borde. Véase la figura A.
9. Para reemplazar el n.º 2, destornille el mango de la manija del n.º 3 y reemplace con el n.º 2 nuevo.
10. Vuelva a armar; abra el suministro de agua y verifique que no haya fugas.
11. ÚNICAMENTE **PARA EB-0107-C, EB-0107-J, B-0107-C y B-0107-J**: Para reemplazar el n.º 23, deslícelo fuera del n.º 25 e introduzca un n.º 23 nuevo dentro del n.º 25. El n.º 23 se insertará en la ranura en el n.º 25. Véase la figura B.

** Verifique que la velocidad del flujo en el n.º 23 coincida con la punta de aspersión dentro del n.º 25.*

Precaución: Corte el suministro de agua en el grifo de base cuando no lo use.



Pour remplacer les pièces usées :

1. Coupez l'alimentation en eau et les conduites d'évacuation. Pour faciliter le démontage et le remontage, la poignée peut être retirée du No 3.
2. Dévissez les No 5 et 6 pour retirer le No 4. Dévissez et retirez le No 16 du No 3.
3. Immobilisez le No 20 avec une pince d'une main, et avec un tournevis, dévissez soigneusement le No 13 du No 16.
4. Appliquez le No 21 sur la portion lisse du No 13. Remplacez les No 14, 15, 17, 18 et 19 par des pièces neuves. Tamponnez le No 21 sur le côté vanne du No 19 avant le remplacement.
5. Remontez le No 16 en insérant le No 13 au travers de toutes les pièces. Immobilisez le No 20 avec une pince, et vissez soigneusement à fond le No 13 dans le No 20. Ne serrez pas trop.
6. Réinsérez le No 16 dans le No 3 et bien serrer.
7. Remontez les No 4, 5 et 6 sur le No 3.
8. POUR LES RÉFÉRENCES **EB-0107/UK-0107 & B-0107 UNIQUEMENT** : Pour remplacer le No 9, dévissez le No 11 et procédez au démontage. Vérifiez que le côté rainure du No 9 s'adapte sur le No 8, et que le No 10 repose sur le côté de l'arête. Voir la Figure A.
9. Pour remplacer le No 2, dévissez la poignée du No 3 et installez un No 2 neuf.
10. Remontez ; Ouvrez l'arrivée d'eau, recherchez des fuites.
11. Pour les modèles **EB-0107-C, EB-0107-J, B-0107-C & B-0107-J UNIQUEMENT** : Pour remplacer le No 23, faites glisser le No 23 hors du No 25, et faites glisser un nouveau No 23 neuf sur le No 25. Le No 23 s'enclenche dans la saignée du No 25. Voir la figure B.

** Vérifiez que le débit sur le No 23 correspond à l'embout de pulvérisation à l'intérieur du No 25.*

Avertissement : Coupez l'alimentation en eau au robinet de la base lorsque le modèle n'est pas en cours d'utilisation.



Verschleißteile ersetzen:

1. Wasserzufuhr ausschalten und Rohre entleeren. Zum leichten Aus- und Einbau kann der *Handgriff* von Nr. **3** entfernt werden.
2. Nr. **5** und Nr. **6** abschrauben, um Nr. **4** zu entfernen. Nr. **16** aufschrauben und von Nr. **3** entfernen.
3. Nr. **20** mit der Zange in einer Hand halten und mit dem Schraubenzieher vorsichtig Nr. **13** von Nr. **16** abschrauben.
4. Nr. **21** auf dem glatten Teil von Nr. **13** anbringen. Nr. **14**, Nr. **15**, Nr. **17**, Nr. **18** & Nr. **19** durch neue Teile ersetzen. Nr. **21** auf Ventilseite von Nr. **19** vor dem Ersetzen abtupfen.
5. Nr. **21** auf dem glatten Teil von Nr. **13** anbringen. Nr. **14**, Nr. **15**, Nr. **17**, Nr. **18** & Nr. **19** durch neue Teile ersetzen. Nr. **21** auf Ventilseite von Nr. **19** vor dem Ersetzen abtupfen.
6. Nr. **16** durch Einführen von Nr. **13** durch alle Teile wieder zusammenbauen. Nr. **20** mit der Zange in einer Hand halten und vorsichtig Nr. **13** in Nr. **20** schrauben bis es fest sitzt. Keine übermäßige Gewalt anwenden.
7. Nr. **16** in Nr. **3** wieder einstecken und fest anziehen.
8. Nr. **4**, Nr. **5** und Nr. **6** wieder auf Nr. **3** zusammenbauen.
9. NUR für **EB-0107/UK-0107 & B-0107**: Um Nr. **9** zu ersetzen, Nr. **11** abschrauben und ausbauen. Sicherstellen, dass Rillenseite von Nr. **9** über Nr. **8** passt und Nr. **10** auf der starren Seite ruht. Siehe Abbildung A.
10. Um Nr. **2** zu ersetzen, Nr. **3** vom Handgriff abschrauben und mit einer neuen Nr. **2** ersetzen.
11. Wieder zusammenbauen, Wasserzufuhr anschalten und auf Leckagen prüfen.
12. NUR für **EB-0107-C, EB-0107-J, B-0107-C & B-0107-J**: Um Nr. **23** zu ersetzen, Nr. **23** von Nr. **25** abnehmen und eine neue Nr. **23** wieder zurück auf Nr. **25** setzen. Nr. **23** wieder in die Rille auf Nr. **25** einrasten. Siehe Abbildung B.

** Prüfen ob der Durchfluss an Nr. 23 mit der Spritzdüse in Nr. 25 übereinstimmt.*

ACHTUNG: Wasserzufuhr an der grundlegenden Armatur abstellen, wenn nicht in Gebrauch.



Per sostituire le parti usurate:

1. Chiudere la fornitura idrica e le linee di drenaggio. Per facilità di smontaggio e rimontaggio, l'*impugnatura* può essere rimossa dal n. **3**.
2. Svitare n. **5** e n. **6** per rimuovere il n. **4**. Svitare e rimuovere il n. **16** dal n. **3**.
3. Mantenere il n. **20** con le pinze in una mano e, con il cacciavite, svitare attentamente il n. **13** dal n. **16**.
4. Applicare il n. **21** sulla porzione liscia del n. **13**. Sostituire il n. **14**, n. **15**, n. **17**, n. **18** e il n. **19** con parti nuove. Picchiettare il n. **21** sul lato valvola del n. **19** prima della sostituzione.
5. Riasssemblare il n. **16** facendo passare il n. **13** attraverso tutte le parti. Mantenere il n. **20** con le pinze, e avvitare con cura il n. **13** nel n. **20** fino a che la vite non risulta ben serrata. Non utilizzare forza eccessiva.
6. Reinscrivere il n. **16** nel n. **3** e serrare con fermezza.
7. Riasssemblare il n. **4**, il n. **5** e il n. **6** sul n. **3**.
8. SOLO per **EB-0107/UK-0107 & B-0107**: Per sostituire il n. **9**, svitare il n. **11** e smontare. Accertarsi che il lato scanalato del n. **9** entri nel n. **8**, e che il n. **10** sia appoggiato sul lato dorsale. Vedere la Figura A.
9. Per sostituire il n. **2**, svitare l'*impugnatura* dal n. **3** e sostituire con il nuovo n. **2**.
10. Riasssemblare; attivare il controllo idrico per le perdite.

11. SOLO per **EB-0107-C, EB-0107-J, B-0107-C E B-0107-J**: Per sostituire il n. **23**, fare scorrere il n. **23** dal n. **25**, e fare scorrere nuovamente un nuovo n. **23** nel n. **25**. Il n. **23** scatterà nella scanalatura del n. **25**. Vedere la Figura B.

** Verificare che la portata sul n. 23 corrisponda al puntale a spruzzo all'interno del n. 25.*

Attenzione: disattivare la fornitura idrica al rubinetto della base quando non è in uso.



更换磨损件:

1. 关闭供水及下水管道，为了便于拆卸和重新组装，可先将手把从3号上拆卸下来。
2. 拧下5号和6号以便拆下4号。从3号上拧下16号。
3. 一只手用钳子夹住20号，用螺丝刀小心地将13号从16号上卸下。
4. 将21号涂在13号的光滑部分。用新零件替换14号、15号、17号、18号和19号。替换前将21号少量涂抹在19号的阀门侧。
5. 将13号穿过所有零件以重新组装16号。用钳子夹住20号，小心地将13号拧到20号上，直到拧紧为止。请勿用力过度。
6. 将16号重新插入3号中，并拧紧。
7. 将4号、5号和6号重新装在3号上。
8. 仅适用于**EB-0107/UK-0107**和**B-0107**：要替换9号，先拧下11号并拆开。请确保8号正好卡在9号的凹槽侧，10号安放在凸棱侧。详见图A。
9. 如需更换2号，先将手把从3号上拧下，再用新的2号进行替换。
10. 重新组装；打开供水检查是否漏水。
11. 仅适用于**EB-0107-C, EB-0107-J, B-0107-C和B-0107-J**：如需更换23号，先从25号上摘下23号，再在25号上重新套上一个新的23号，23号要卡在25号的凹槽中。详见图B。

**请确认23号上标的流量与25号内的喷头相匹配。*

注意：不使用龙头时，请关闭底座上的供水。

RELATED T&S BRASS PRODUCT LINE



B-0108
JeTSpray
Spray Valve



B-0108-C
JeTSpray
Low Flow
Spray Valve

T&S BRASS AND BRONZE WORKS, INC.

A firm commitment to application-engineered plumbing products

2 Saddleback Cove, P.O. Box 1088,
Travelers Rest, SC 29690

Phone: (864) 834-4102

Fax: (864) 834-3518

E-mail: tsbrass@tsbrass.com

T & S Brass-Europe

'De Veenhoeve'

Oude Nieuwveenseweg 84

2441 CW Nieuwveen

The Netherlands



RELIABILITY BUILT IN™