



T&S BRASS AND BRONZE WORKS, INC.
 2 Saddleback Cove / P.O. Box 1088
 Travelers Rest, SC 29690

Model No.

B-0107-B

Item No.

Travelers Rest, SC: 800-476-4103 • Simi Valley, CA: 800-423-0150 • Fax: 864-834-3518 • www.tsbrass.com

This Space for Architect/Engineer Approval

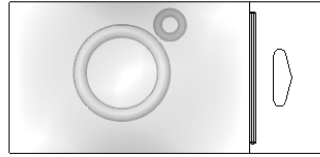
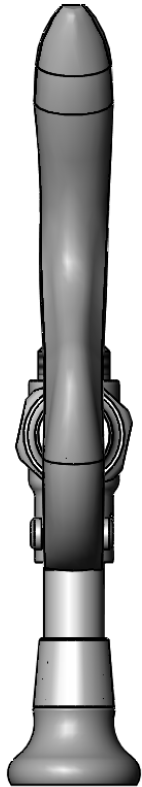
Job Name _____ Date _____

Model Specified _____ Quantity _____

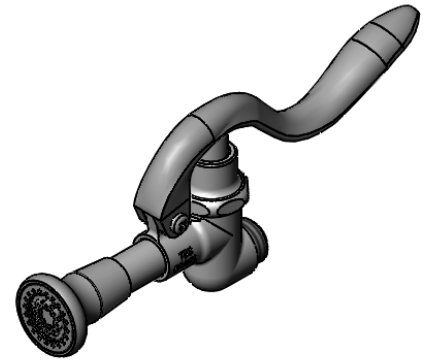
Customer/Wholesaler _____

Contractor _____

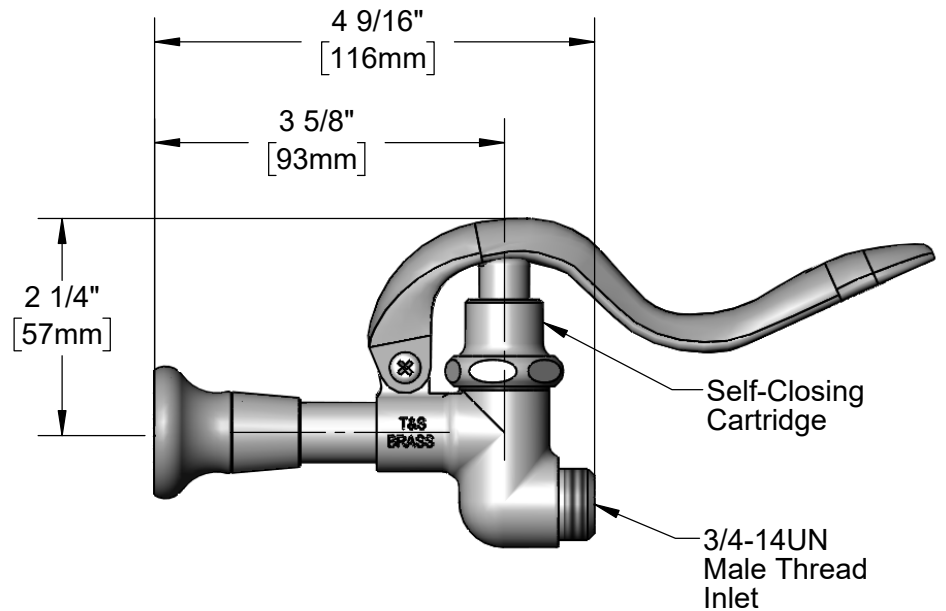
Architect/Engineer _____



Hose Washer &
Hold Down Ring
(Included)



$\phi 1 \frac{3}{8}$ "
[35mm]



Product Specifications:

Self-Closing Spray Valve w/ 2.2 GPM Rosespray Outlet and 3/4-14 Male Thread Inlet

Product Compliance:

ASME A112.18.1 / CSA B125.1
 NSF 61 - Section 9
 NSF 372 (Low Lead Content)
 2019 DOE PRSV Non-Compliant
 Product Not Designed/Intended for
 Commercial Warewashing in North America



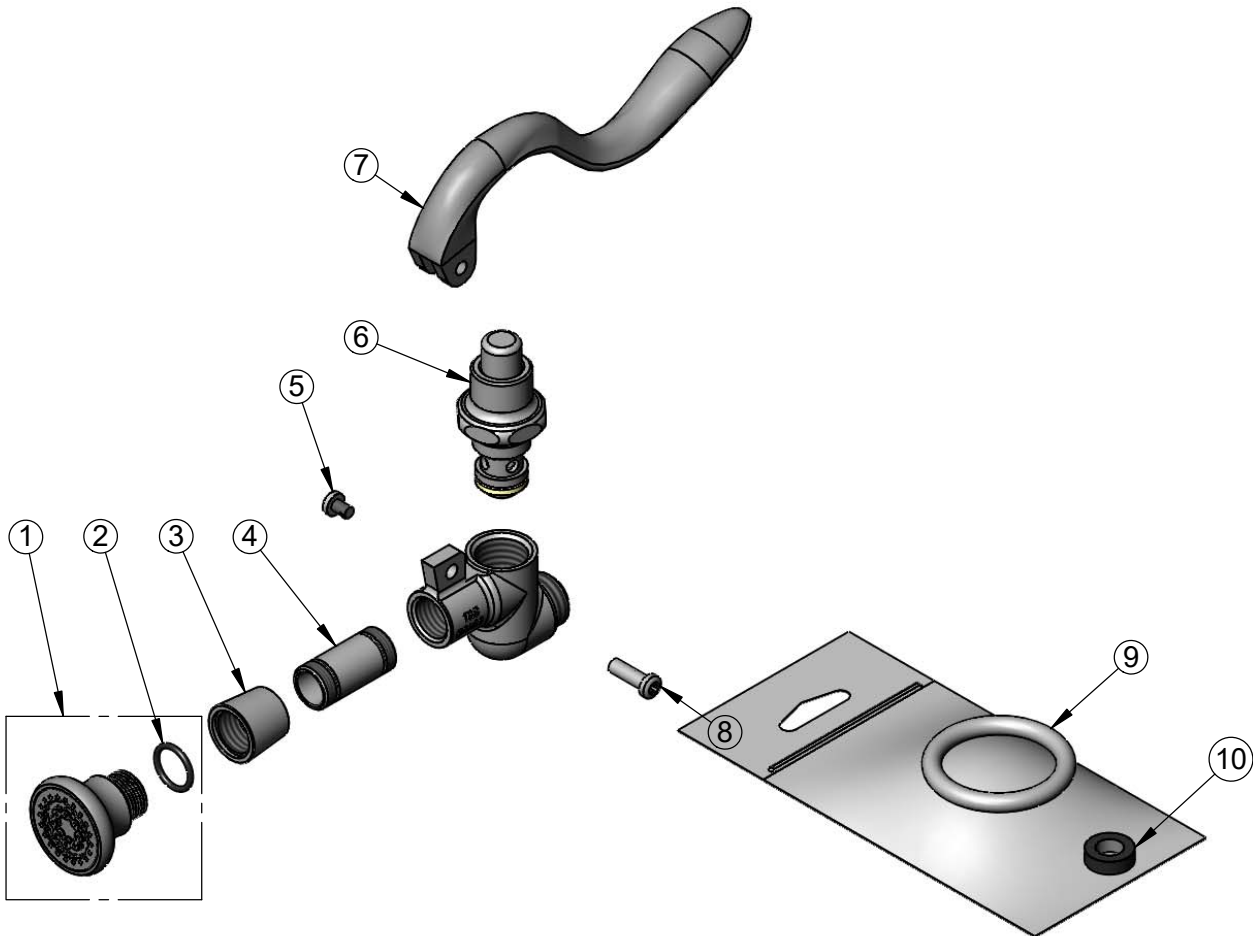
T&S BRASS AND BRONZE WORKS, INC.
 2 Saddleback Cove / P.O. Box 1088
 Travelers Rest, SC 29690

Model No.
B-0107-B

Item No.

Travelers Rest, SC: 800-476-4103 • Simi Valley, CA: 800-423-0150 • Fax: 864-834-3518 • www.tsbrass.com

ITEM NO.	SALES NO.	DESCRIPTION
1	B-0103	2.2 GPM Rosespray, 3/8-18 NPT Male
2	006575-45	-015 O-Ring
3	020205-40	Adapter, 5/8-27 UN x 3/8-18 NPSM
4	000694-40	Chrome Plated Nipple, B-0107 Spray Valve
5	003199-45	Spray Valve Handle Screw
6	002856-40	Spray Valve Bonnet
7	001120-45	Spray Valve Handle
8	003198-45	Spray Valve Handle Nut
9	000907-45	Spray Valve Hold Down Ring
10	010476-45	#27 Washer



Product Specifications:
 Self-Closing Spray Valve w/ 2.2 GPM Rosespray Outlet and 3/4-14 Male Thread Inlet

Product Compliance:
 ASME A112.18.1 / CSA B125.1
 NSF 61 - Section 9
 NSF 372 (Low Lead Content)
 2019 DOE PRSV Non-Compliant
 Product Not Designed/Intended for
 Commercial Warewashing in North America