



**T&S BRASS AND BRONZE WORKS, INC.**  
 2 Saddleback Cove / P.O. Box 1088  
 Travelers Rest, SC 29690

Model No.  
**B-0102-C**

Item No.

Travelers Rest, SC: 800-476-4103 • Simi Valley, CA: 800-423-0150 • Fax: 864-834-3518 • www.tsbrass.com

This Space for Architect/Engineer Approval

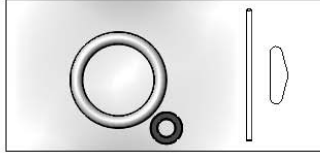
Job Name \_\_\_\_\_ Date \_\_\_\_\_

Model Specified \_\_\_\_\_ Quantity \_\_\_\_\_

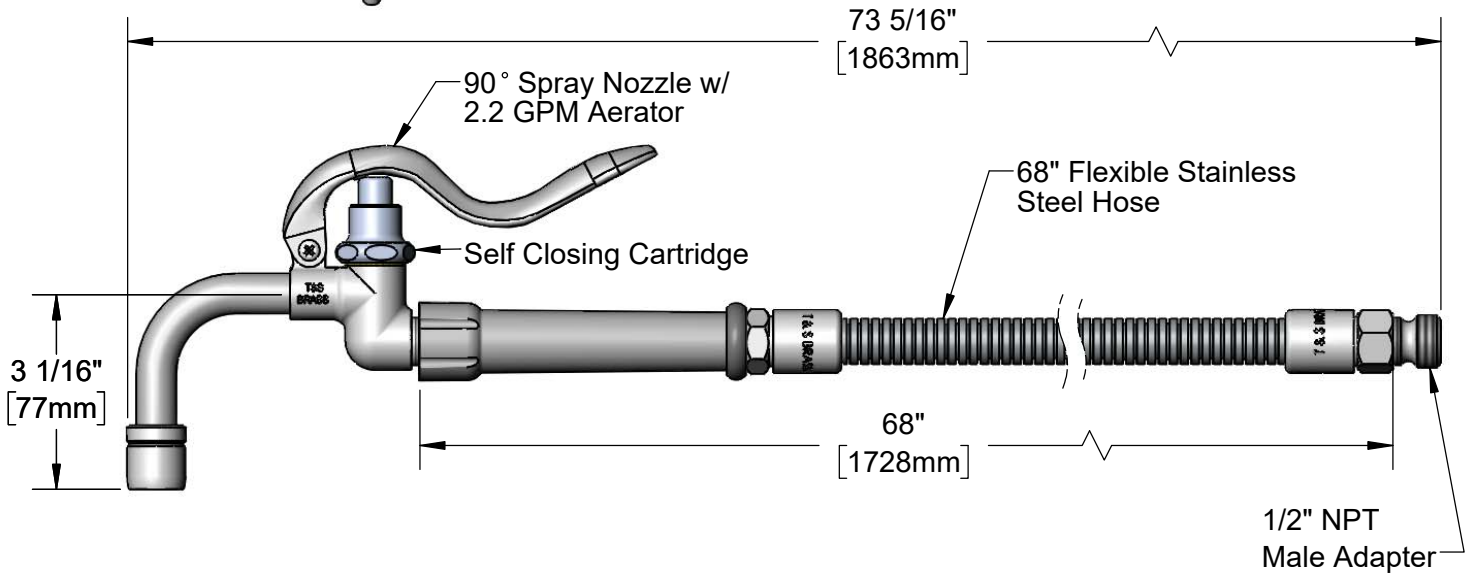
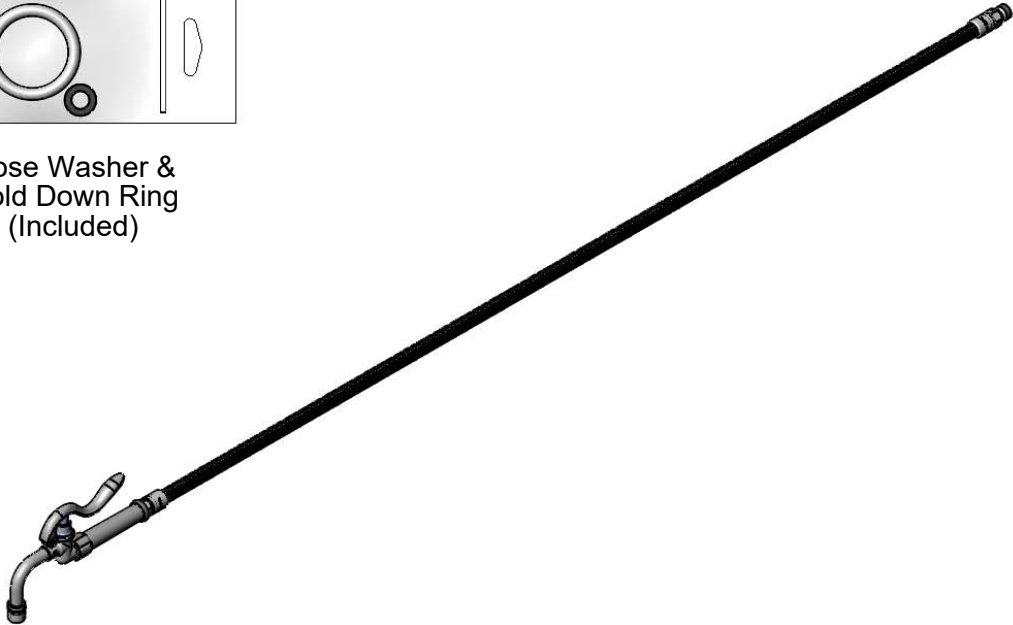
Customer/Wholesaler \_\_\_\_\_

Contractor \_\_\_\_\_

Architect/Engineer \_\_\_\_\_



Hose Washer &  
 Hold Down Ring  
 (Included)



Product Specifications:

Pot & Glass Filler w/ Automatic Shut-Off Valve, 90° Angled Nozzle, 2.2 GPM Aerator & 68" Flexible Stainless Steel Hose w/ Adapter

Product Compliance:

ASME A112.18.1 / CSA B125.1  
 NSF 61 - Section 9  
 NSF 372 (Low Lead Content)  
 2019 DOE PRSV Non-Compliant  
 Product Not Designed/Intended for  
 Commercial Warewashing in North America



# T&S BRASS AND BRONZE WORKS, INC.

2 Saddleback Cove / P.O. Box 1088  
Travelers Rest, SC 29690

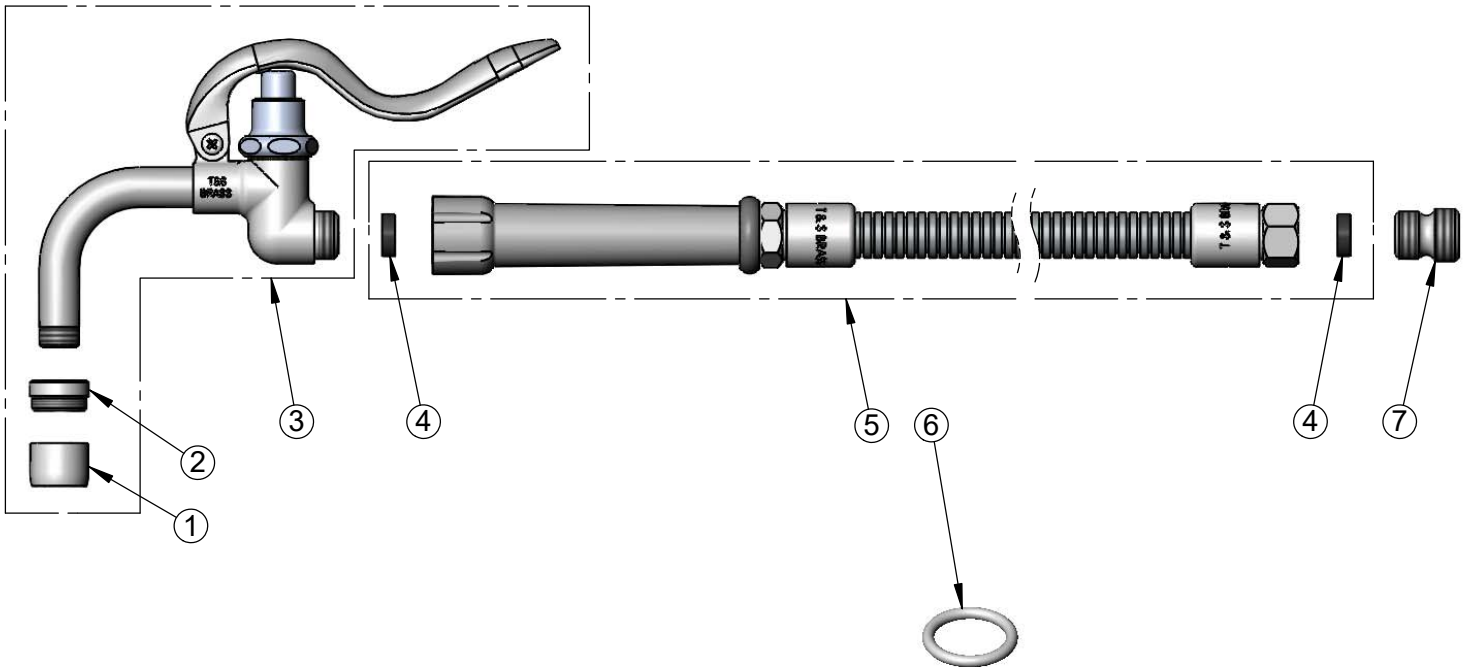
Model No.

**B-0102-C**

Item No.

Travelers Rest, SC: 800-476-4103 • Simi Valley, CA: 800-423-0150 • Fax: 864-834-3518 • www.tsbrass.com

ITEM NO.	SALES NO.	DESCRIPTION
1	B-0199-01	2.2 GPM Aerator, 55/64"-27 UN Female
2	000554-25	Adapter 55/64-27 Male Thread x 5/8-27 Female Thread
3	009937-40	90° Spray Nozzle w/ 2.2 GPM Aerator
4	010476-45	#27 Washer
5	B-0068-H	68" Flexible Stainless Steel Hose
6	000907-45	Spray Valve Hold Down Ring
7	055A	Adapter, 1/2 NPT Male



**Product Specifications:**

Pot & Glass Filler w/ Automatic Shut-Off Valve, 90° Angled Nozzle, 2.2 GPM Aerator & 68" Flexible Stainless Steel Hose w/ Adapter

**Product Compliance:**

ASME A112.18.1 / CSA B125.1  
NSF 61 - Section 9  
NSF 372 (Low Lead Content)  
2019 DOE PRSV Non-Compliant  
Product Not Designed/Intended for  
Commercial Warewashing in North America