



T&S BRASS AND BRONZE WORKS, INC.
 2 Saddleback Cove / P.O. Box 1088
 Travelers Rest, SC 29690

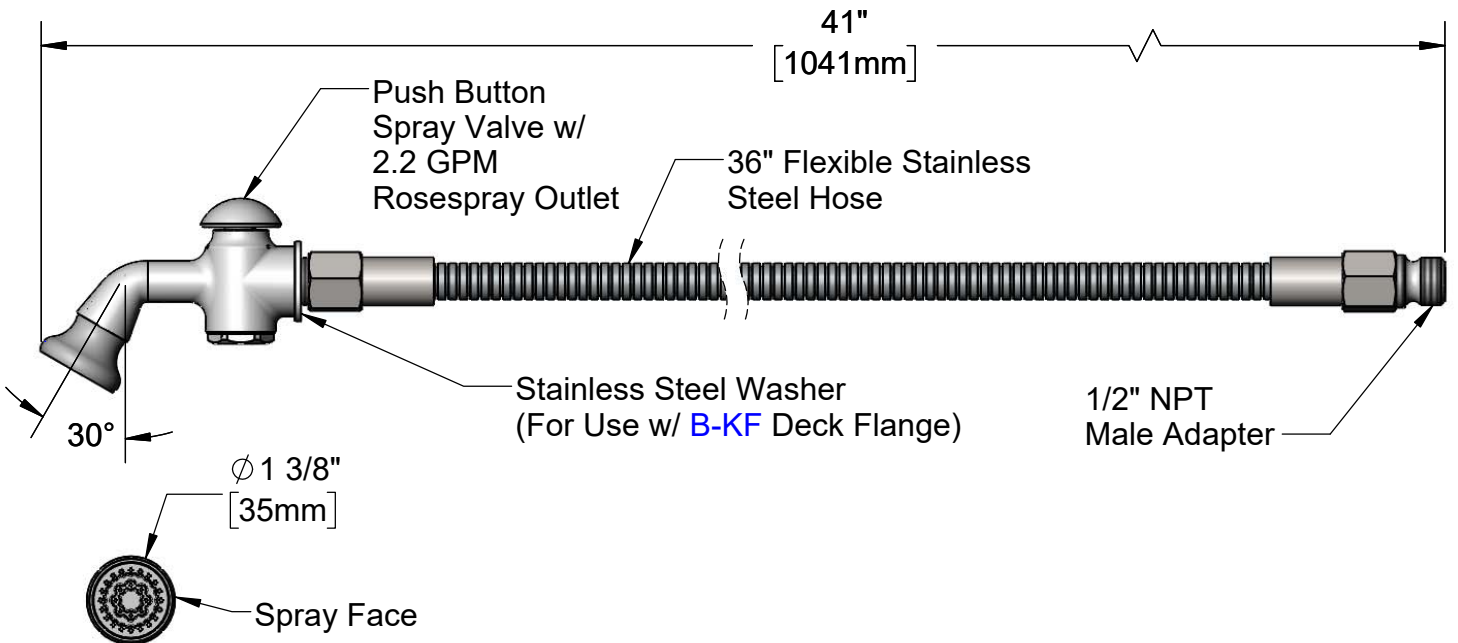
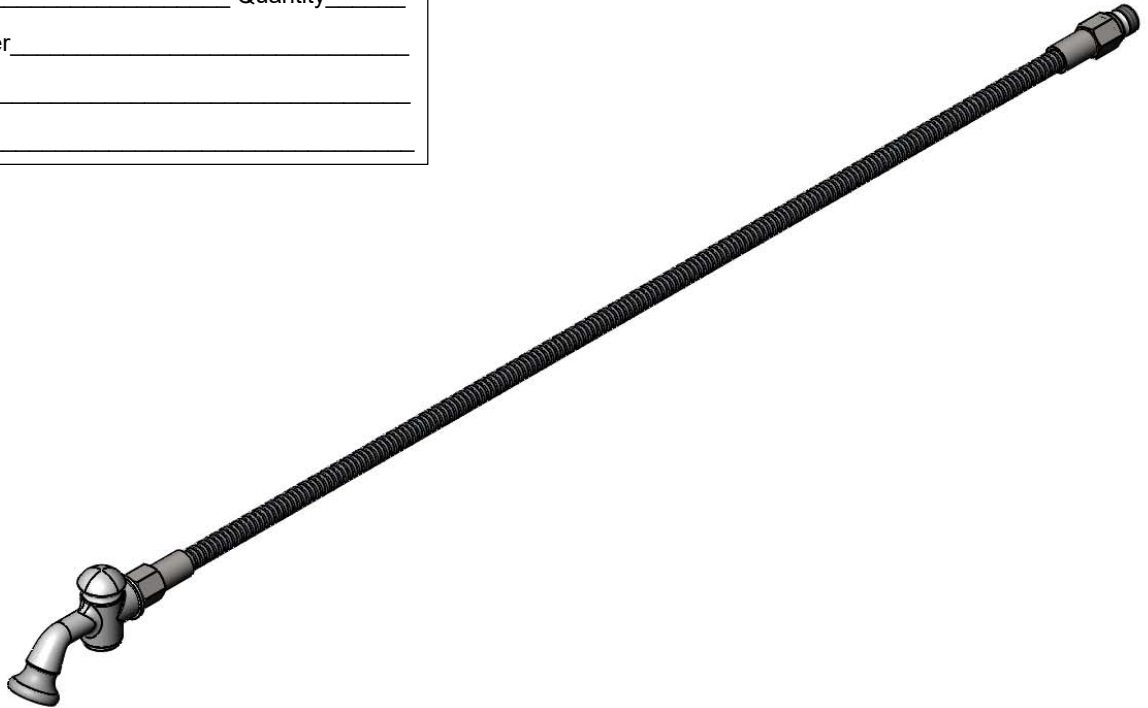
Model No.
B-0101

Item No.

Travelers Rest, SC: 800-476-4103 • Simi Valley, CA: 800-423-0150 • Fax: 864-834-3518 • www.tsbrass.com

This Space for Architect/Engineer Approval

Job Name _____ Date _____
 Model Specified _____ Quantity _____
 Customer/Wholesaler _____
 Contractor _____
 Architect/Engineer _____



Product Specifications:
Spray Valve w/ Rosespray Outlet & 36" Flexible Stainless Steel Hose & Adapter

Product Compliance:
 ASME A112.18.1 / CSA B125.1
 NSF 61 - Section 9
 NSF 372 (Low Lead Content)
 2019 DOE PRSV Non-Compliant



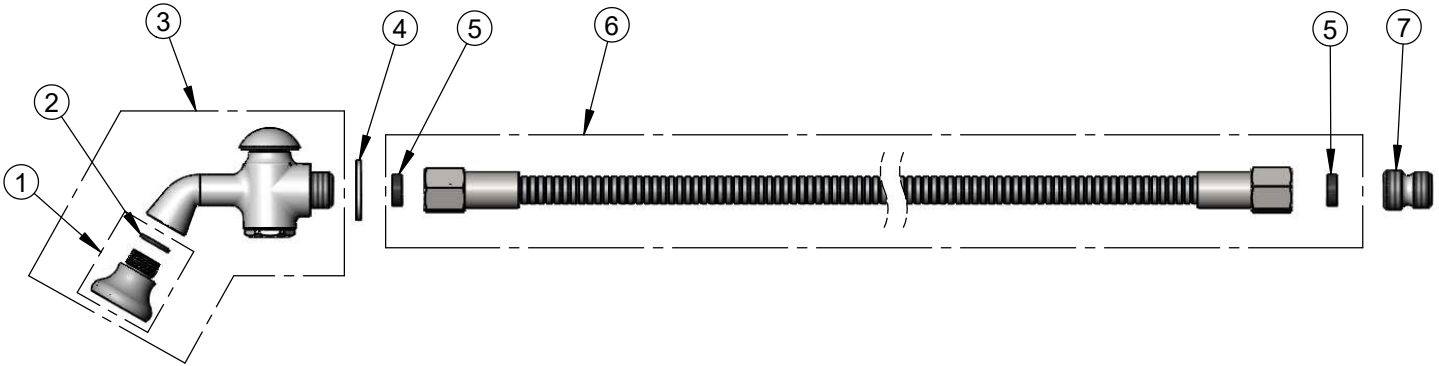
T&S BRASS AND BRONZE WORKS, INC.
 2 Saddleback Cove / P.O. Box 1088
 Travelers Rest, SC 29690

Model No.
B-0101

Item No.

Travelers Rest, SC: 800-476-4103 • Simi Valley, CA: 800-423-0150 • Fax: 864-834-3518 • www.tsbrass.com

ITEM NO.	SALES NO.	DESCRIPTION
1	B-0103	2.2 GPM Rosespray, 3/8-18 NPT Male
2	006575-45	-015 O-Ring
3	002857-40	Spray Valve w/ 2.2 GPM Rosespray Outlet
4	001010-40	Washer, Stainless Steel
5	010476-45	#27 Washer
6	013E-36H	36" Flexible Stainless Steel Hose
7	055A	Adapter, 1/2 NPT Male



Product Specifications:
**Spray Valve w/ Rosespray Outlet & 36" Flexible
 Stainless Steel Hose & Adapter**

Product Compliance:
 ASME A112.18.1 / CSA B125.1
 NSF 61 - Section 9
 NSF 372 (Low Lead Content)
 2019 DOE PRSV Non-Compliant