



T&S BRASS AND BRONZE WORKS, INC.
 2 Saddleback Cove / P.O. Box 1088
 Travelers Rest, SC 29690

Model No.

B-0072-HP

Item No.

Travelers Rest, SC: 800-476-4103 • Simi Valley, CA: 800-423-0150 • Fax: 864-834-3518 • www.tsbrass.com

This Space for Architect/Engineer Approval

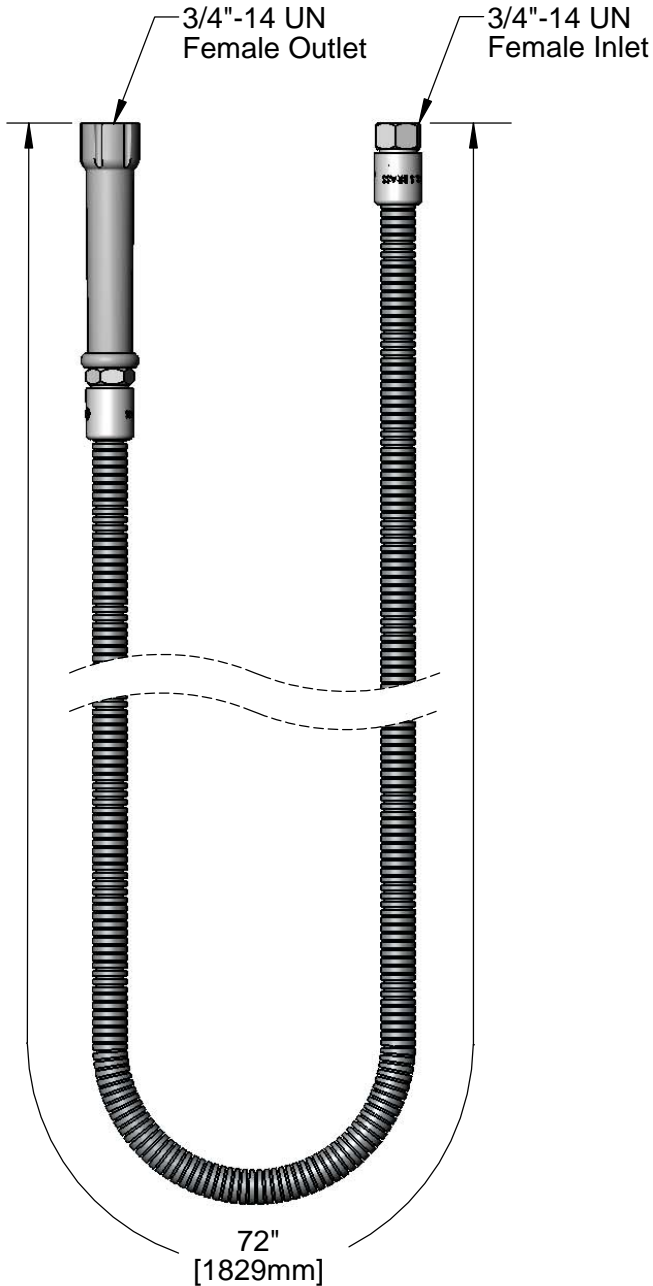
Job Name _____ Date _____

Model Specified _____ Quantity _____

Customer/Wholesaler _____

Contractor _____

Architect/Engineer _____



053A
 Adapter
 3/8" NPT Male x
 3/4"-14 UN Male
 (Included)



172A
 Adapter
 1/4" NPT Male x
 3/4"-14 UN Male
 (Included)



(2) **010476-45**
 Washer
 (Included)

Product Specifications:
 72" Flexible Stainless Steel Hose w/ Adapters

Product Compliance:
 ASME A112.18.1 / CSA B125.1
 NSF 61 - Section 9
 NSF 372 (Low Lead Content)

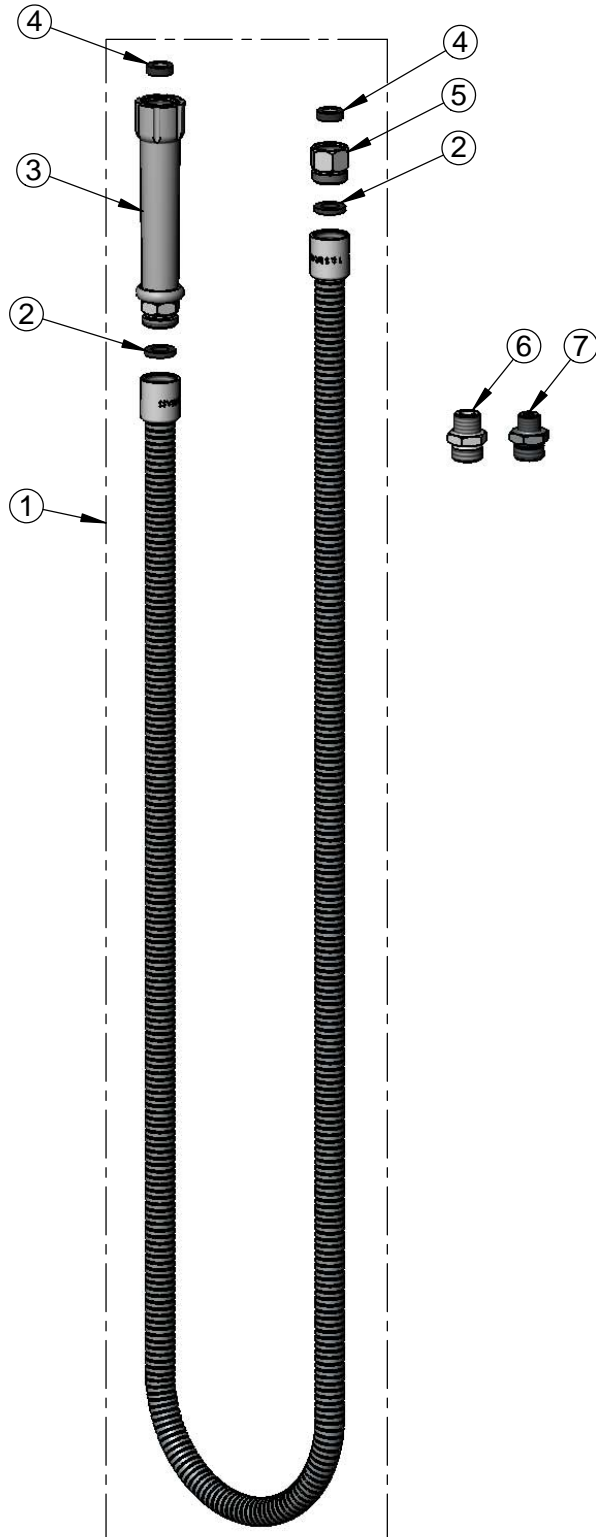


T&S BRASS AND BRONZE WORKS, INC.
 2 Saddleback Cove / P.O. Box 1088
 Travelers Rest, SC 29690

Model No.
B-0072-HP

Item No.

Travelers Rest, SC: 800-476-4103 • Simi Valley, CA: 800-423-0150 • Fax: 864-834-3518 • www.tsbrass.com



ITEM NO.	SALES NO.	DESCRIPTION
1	B-0072-H	72" Flexible Stainless Steel Hose
2	001014-45	Washer, B-0100 Hose Barrel
3	002987-40	Grip Handle
4	010476-45	#27 Washer
5	000729-40	Nut
6	053A	Adapter, 3/8" NPT Male x 3/4"-14 UN Male
7	172A	Adapter, 1/4" NPT Male x 3/4"-14 UN Male

Product Specifications:
 72" Flexible Stainless Steel Hose w/ Adapters

Product Compliance:
 ASME A112.18.1 / CSA B125.1
 NSF 61 - Section 9
 NSF 372 (Low Lead Content)