



**T&S BRASS AND BRONZE WORKS, INC.**  
 2 Saddleback Cove / P.O. Box 1088  
 Travelers Rest, SC 29690

Model No.  
**B-0044-H2A**

Item No.

Travelers Rest, SC: 800-476-4103 • Simi Valley, CA: 800-423-0150 • Fax: 864-834-3518 • www.tsbrass.com

This Space for Architect/Engineer Approval

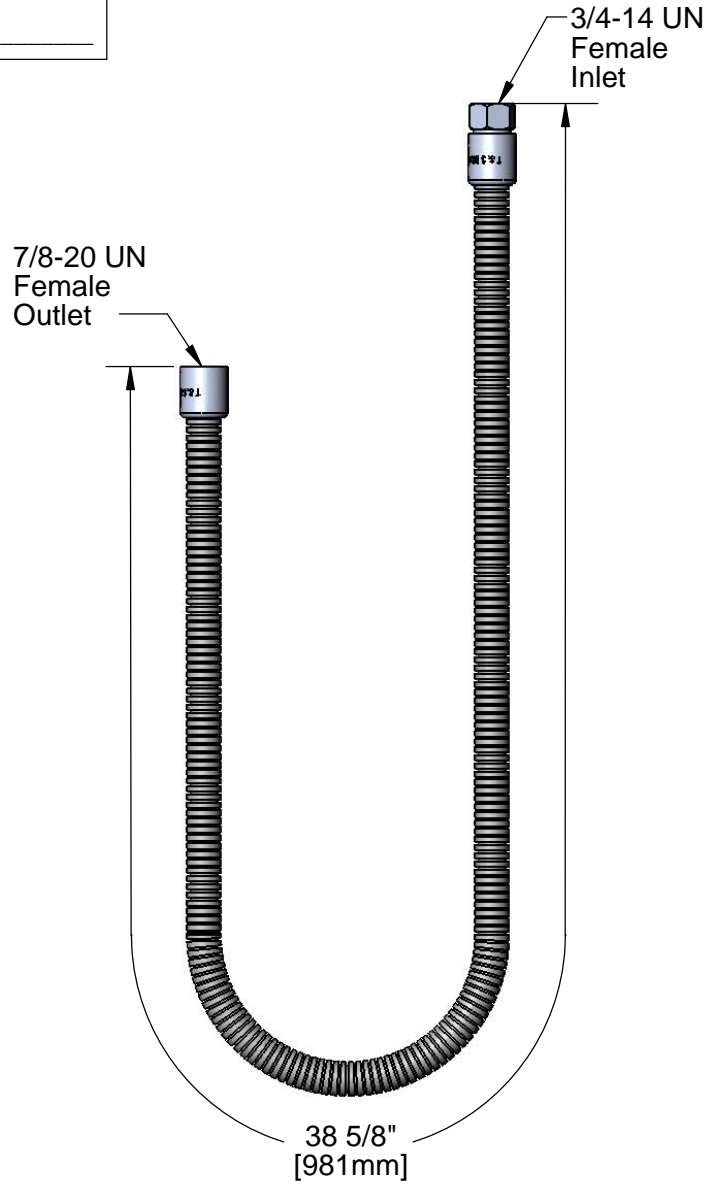
Job Name \_\_\_\_\_ Date \_\_\_\_\_


Model Specified \_\_\_\_\_ Quantity \_\_\_\_\_


Customer/Wholesaler \_\_\_\_\_

Contractor \_\_\_\_\_

Architect/Engineer \_\_\_\_\_



  
 010476-45  
 Washer  
 (Included)

  
 001014-45  
 Washer  
 (Included)

Product Specifications:  
 44" Flexible Stainless Steel Hose w/ Inner Polyurethane Hose,  
 Less Handle

Drawn  
**DHL**

Checked  
**DMH**

Approved  
**JHB**

Scale:  
**1:4**

Date:  
**05/06/13**



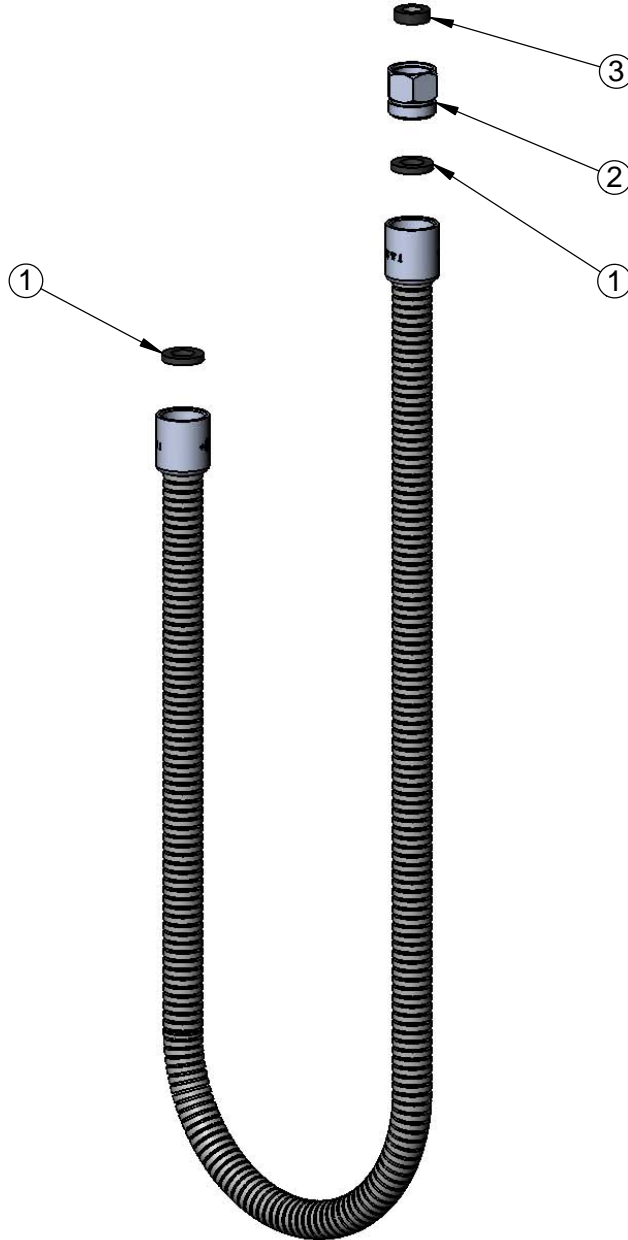
**T&S BRASS AND BRONZE WORKS, INC.**  
 2 Saddleback Cove / P.O. Box 1088  
 Travelers Rest, SC 29690

Model No.  
**B-0044-H2A**

Item No.

Travelers Rest, SC: 800-476-4103 • Simi Valley, CA: 800-423-0150 • Fax: 864-834-3518 • www.tsbrass.com

ITEM NO.	SALES NO.	DESCRIPTION
1	001014-45	Washer, B-0100 Hose Barrel
2	000729-40	Nut
3	010476-45	#27 Washer



Product Specifications:  
 44" Flexible Stainless Steel Hose w/ Inner Polyurethane Hose,  
 Less Handle

Drawn <b>DHL</b>	Checked <b>DMH</b>	Approved <b>JHB</b>
Scale: <b>NTS</b>		Date: <b>05/06/13</b>