

*This Space for Architect/Engineer Approval*

Job Name \_\_\_\_\_ Date \_\_\_\_\_

Model Specified \_\_\_\_\_ Quantity \_\_\_\_\_

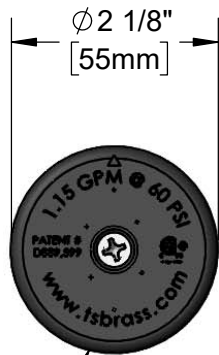
Customer/Wholesaler \_\_\_\_\_

Contractor \_\_\_\_\_

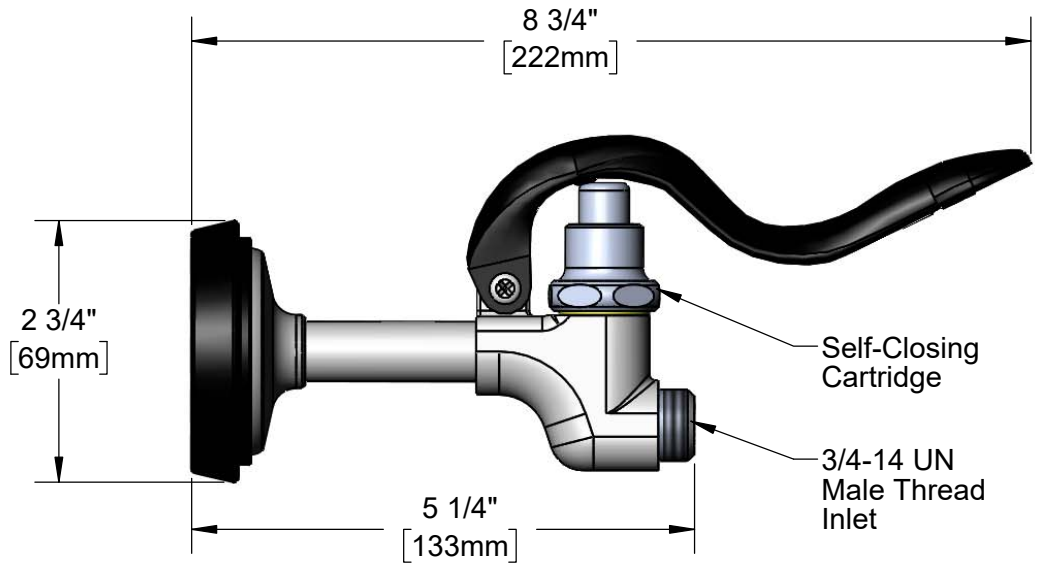
Architect/Engineer \_\_\_\_\_



Black Rubber Bumper



Black Spray Face



Flow Rate: 1.15 GPM [4.35 L/min] @ 60 psi [4.14 bar]

Spray Force: 7.5 Ozf [212 Gramf] @ 60 psi [4.14 bar]

Model Number

**5SV**

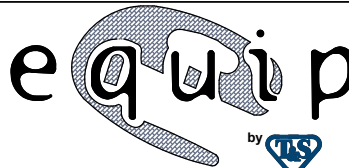
Product Specifications:

Pre-Rinse Unit: Black 1.15 GPM Spray Valve

Product Compliance:

ASME A112.18.1 / CSA B125.1  
NSF 61 - Section 9  
NSF 372 (Low Lead Content)  
2019 DOE PRSV - Class II

equip  
Foodservice  
Accessories



2 Saddleback Cove, P.O. Box 1088  
Travelers Rest, South Carolina 29690  
Phone: 800.891.4808 Fax: 800.868.0084  
equip.tsbrass.com

Drawn: JBB

Checked: JRM

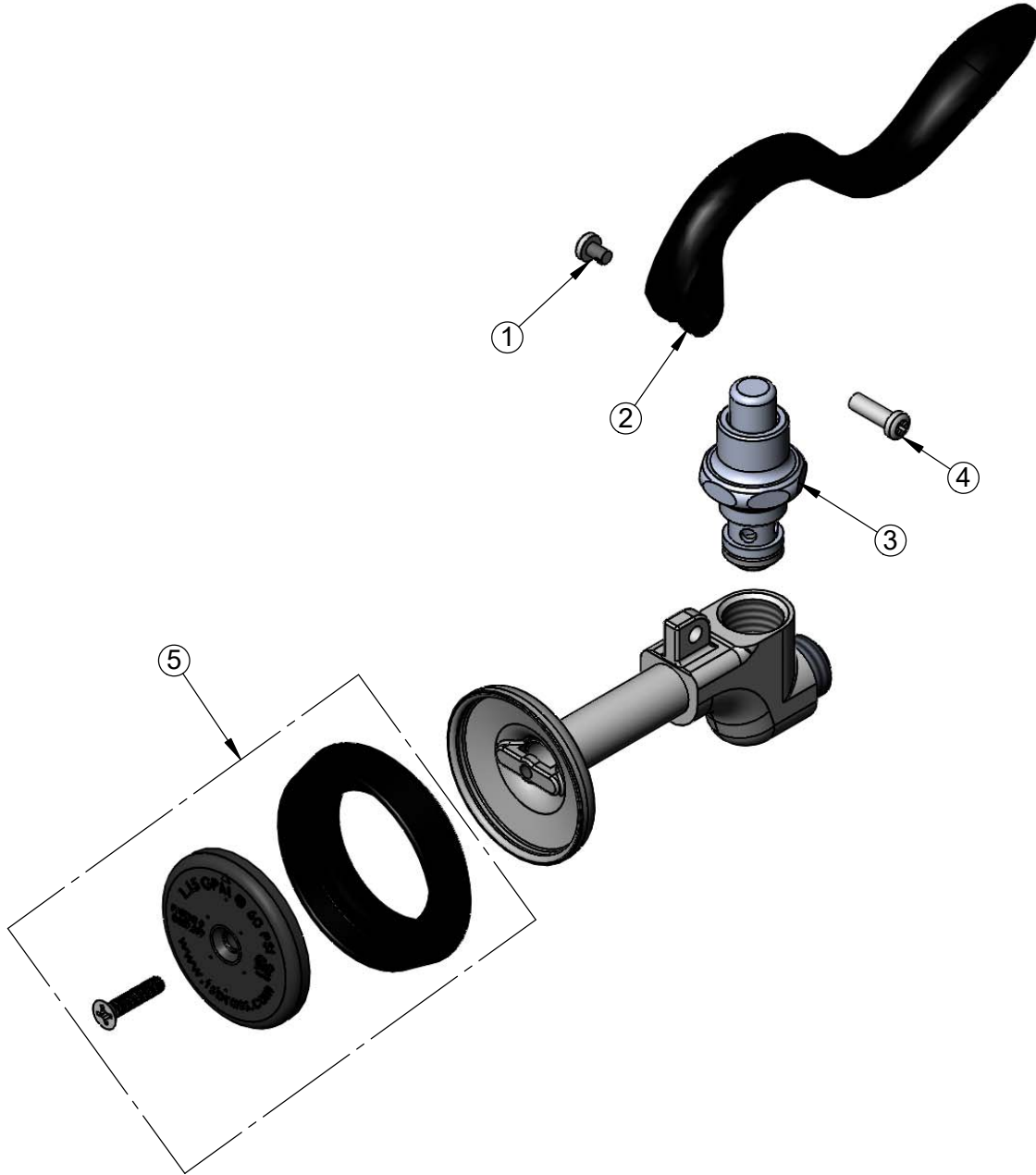
Approved: 07/15/21

Date: JHB

Scale: 1:2

Sheet: 1 of 2

ITEM NO.	SALES NO.	DESCRIPTION
1	003199-45	Spray Valve Handle Screw
2	5SV-HDL	equip Black Spray Valve Handle
3	002856-40	Spray Valve Bonnet
4	003198-45	Spray Valve Handle Nut
5	5SV-RK	1.15 GPM Spray Valve Repair Kit



Model Number

**5SV**

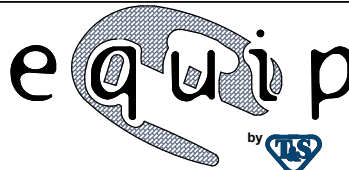
Product Specifications:

Pre-Rinse Unit: Black 1.15 GPM Spray Valve

Product Compliance:

ASME A112.18.1 / CSA B125.1  
 NSF 61 - Section 9  
 NSF 372 (Low Lead Content)  
 2019 DOE PRSV - Class II

equip  
 Foodservice  
 Accessories



2 Saddleback Cove, P.O. Box 1088  
 Travelers Rest, South Carolina 29690  
 Phone: 800.891.4808 Fax: 800.868.0084  
 equip.tsbrass.com