

*This Space for Architect/Engineer Approval*

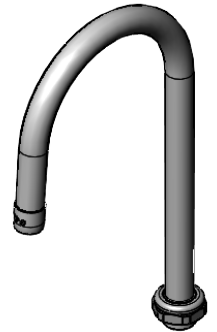
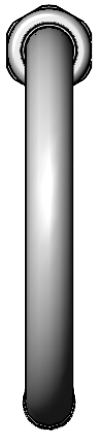
Job Name \_\_\_\_\_ Date \_\_\_\_\_

Model Specified \_\_\_\_\_ Quantity \_\_\_\_\_

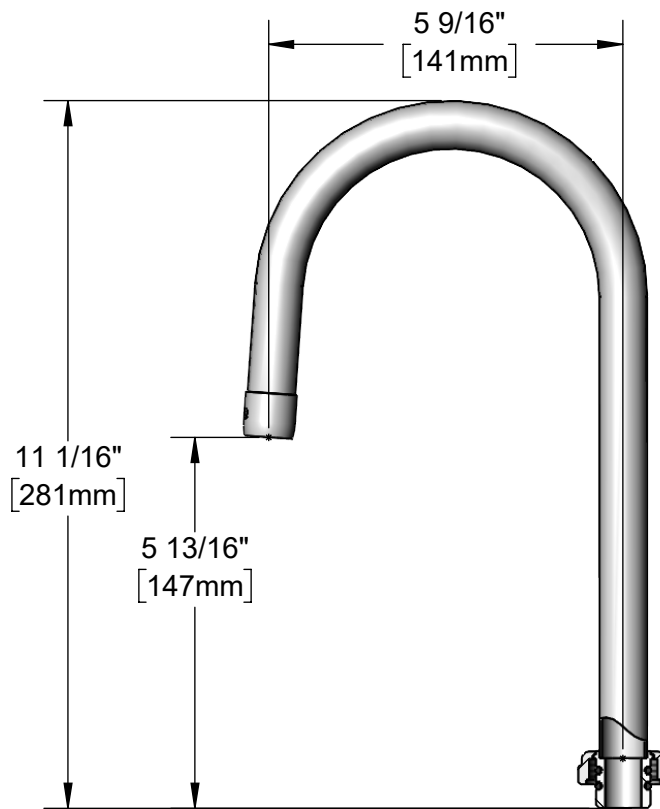
Customer/Wholesaler \_\_\_\_\_

Contractor \_\_\_\_\_


Architect/Engineer \_\_\_\_\_



3/4-27 UN  
Laminar  
Device  
Outlet



Note:  
Rigid Conversion Requires 014200-45 Lock Washer  
(Sold Separately)

Model Number <b>5SP-05</b>	Product Specifications: <b>5 1/2" Swivel Gooseneck w/ Laminar Device Outlet</b>				
Product Compliance: ASME A112.18.1 / CSA B125.1 NSF 61 - Section 9 NSF 372 (Low Lead Content)	 <p>equip Foodservice Accessories</p> <p>2 Saddleback Cove, P.O. Box 1088 Travelers Rest, South Carolina 29690 Phone: 800.891.4808 Fax: 800.868.0084 equip.tsbrass.com</p>				
Drawn: TRK	Checked: JRM	Approved: JHB	Date: 10/30/23	Scale: 1:3	Sheet: 1 of 1