

**5SP-12**  
12" Swing Nozzle  
w/ Laminar  
Flow Device

*This Space for Architect/Engineer Approval*

Job Name \_\_\_\_\_ Date \_\_\_\_\_

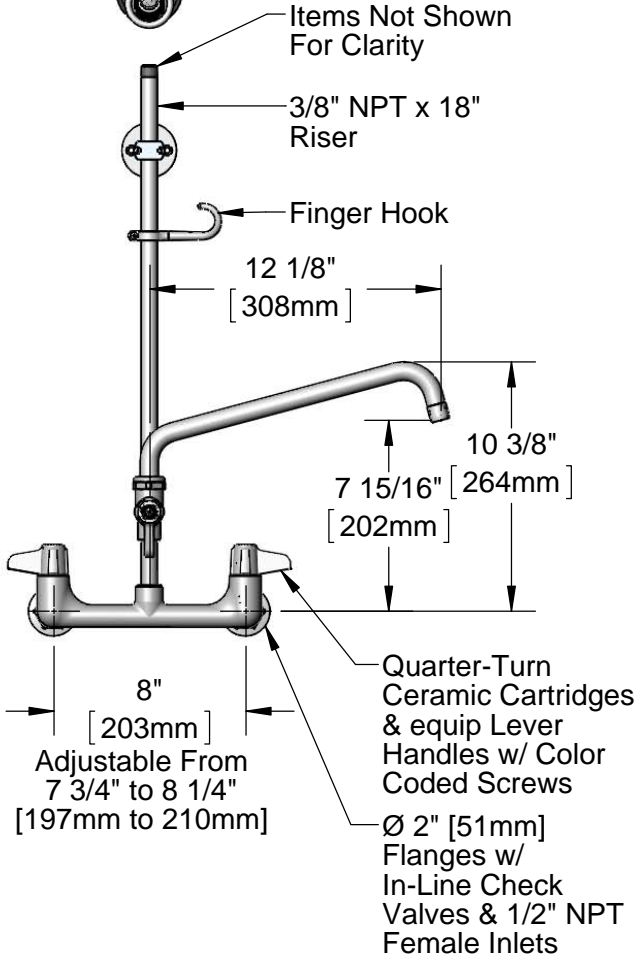
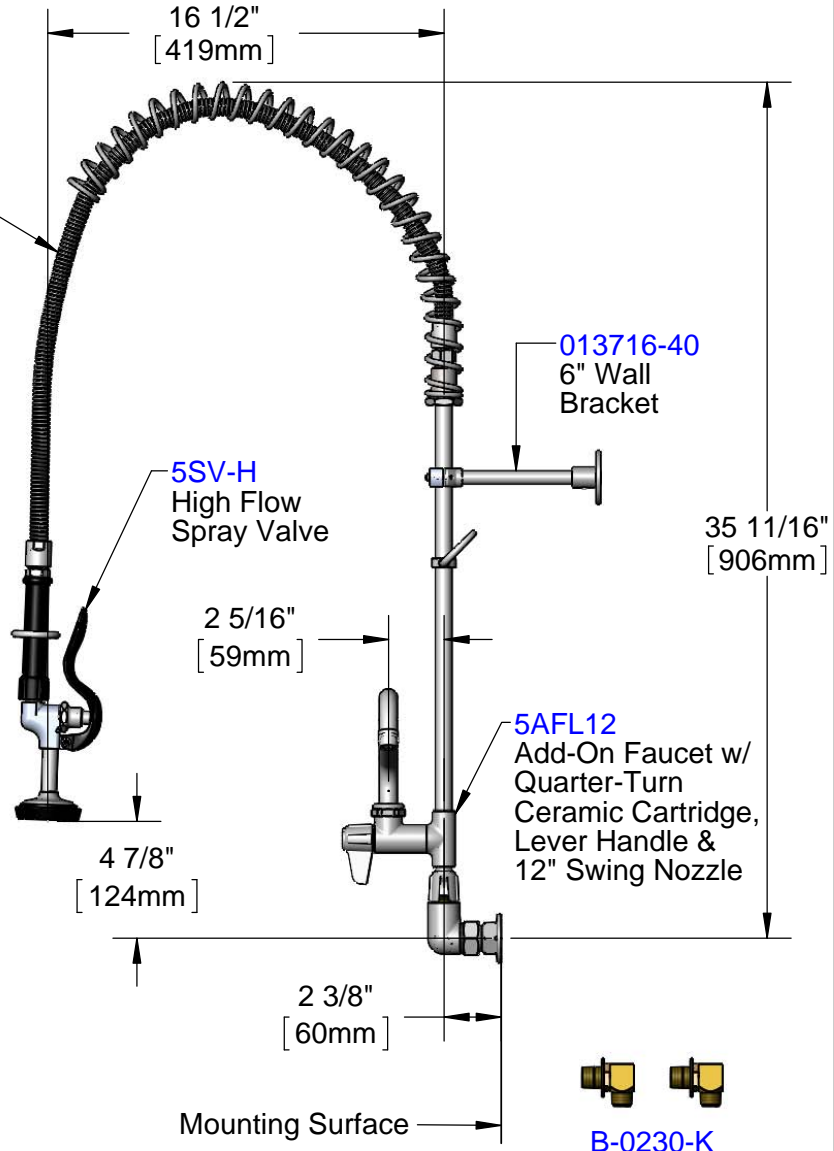
Model Specified \_\_\_\_\_ Quantity \_\_\_\_\_

Customer/Wholesaler \_\_\_\_\_

Contractor \_\_\_\_\_

Architect/Engineer \_\_\_\_\_

equip 44" Flexible  
Stainless Steel  
Hose w/ Spring  
& Spray Valve



Items Not Shown  
For Clarity

3/8" NPT x 18"  
Riser

Finger Hook

12 1/8"  
[308mm]

10 3/8"  
[264mm]

7 15/16"  
[202mm]

Quarter-Turn  
Ceramic Cartridges  
& equip Lever  
Handles w/ Color  
Coded Screws

Ø 2" [51mm]  
Flanges w/  
In-Line Check  
Valves & 1/2" NPT  
Female Inlets

8"  
[203mm]  
Adjustable From  
7 3/4" to 8 1/4"  
[197mm to 210mm]

Mounting Surface

**B-0230-K**  
1/2" NPT  
Short EI Installation Kit  
(Sold Separately)

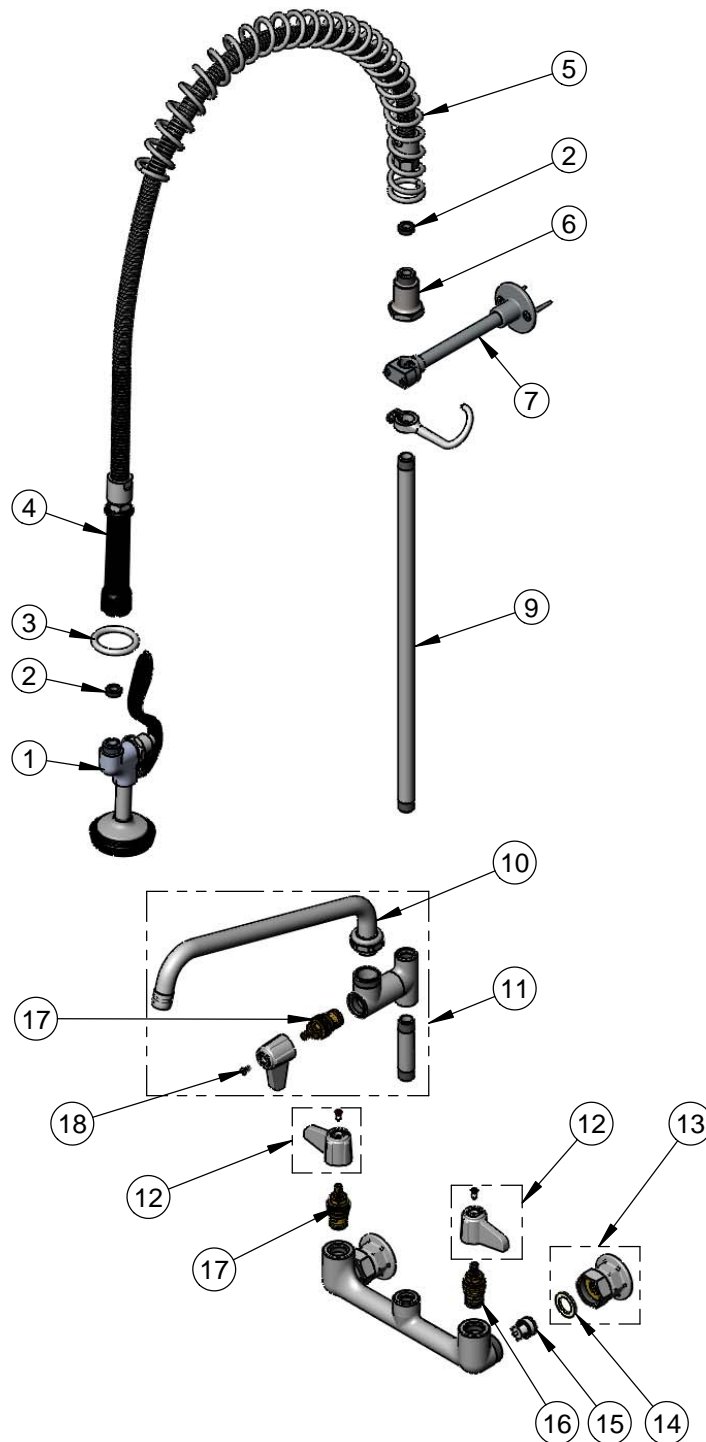
Model Number  
**5PR-8W12-H**

Product Compliance:  
ASME A112.18.1 / CSA B125.1  
NSF 61 - Section 9  
NSF 372 (Low Lead Content)  
EPA Act 2005 Non-Compliant (PRSV)  
Product Not Designed/Intended for  
Commercial Warewashing in North America

Product Specifications:  
International Pre-Rinse Unit: 8" Wall Mount Mixing Faucet w/  
Quarter-Turn Ceramic Cartridges, Add-On Faucet w/ 12" Swing  
Nozzle, High Flow Spray Valve, 6" Wall Bracket, In-Line Check  
Valves & 1/2" NPT Female Inlets

equip  
Foodservice  
Accessories

2 Saddleback Cove, P.O. Box 1088  
Travelers Rest, South Carolina 29690  
Phone: 800.891.4808 Fax: 800.868.0084  
equip.tsbrass.com



ITEM NO.	SALES NO.	DESCRIPTION
1	5SV-H	equip High Flow Spray Valve
2	010476-45	#27 Washer
3	000907-45	Spray Valve Hold Down Ring
4	5HSE44	44" Flexible Stainless Steel Hose
5	014068-45	Overhead Spring
6	000821-40	Spring Body
7	013716-40	6" Wall Bracket
8	004R	Finger Hook
9	000369-40	3/8" NPT x 18" Riser
10	5SP-12	equip 12" Swing Nozzle
11	5AFL12	Add-On Faucet w/ 12" Swing Nozzle
12	5-HDL-L	equip Lever Handle w/ Color Coded Screws
13	00AA	1/2" NPT Female Inlet Flange
14	001019-45	Coupling Nut Washer
15	013840-45	20mm Check Valve (2)
16	013788-45	equip Quarter-Turn Ceramic Cartridge, LTC
17	013787-45	Equip Ceramic Cartridge, RTC
18	013849-45	Handle Screw (10)

Model Number  
**5PR-8W12-H**

Product Compliance:  
 ASME A112.18.1 / CSA B125.1  
 NSF 61 - Section 9  
 NSF 372 (Low Lead Content)  
 EPA Act 2005 Non-Compliant (PRSV)  
 Product Not Designed/Intended for  
 Commercial Warewashing in North America

Product Specifications:  
 International Pre-Rinse Unit: 8" Wall Mount Mixing Faucet w/  
 Quarter-Turn Ceramic Cartridges, Add-On Faucet w/ 12" Swing  
 Nozzle, High Flow Spray Valve, 6" Wall Bracket, In-Line Check  
 Valves & 1/2" NPT Female Inlets

equip  
 Foodservice  
 Accessories



2 Saddleback Cove, P.O. Box 1088  
 Travelers Rest, South Carolina 29690  
 Phone: 800.891.4808 Fax: 800.868.0084  
 equip.tsbrass.com