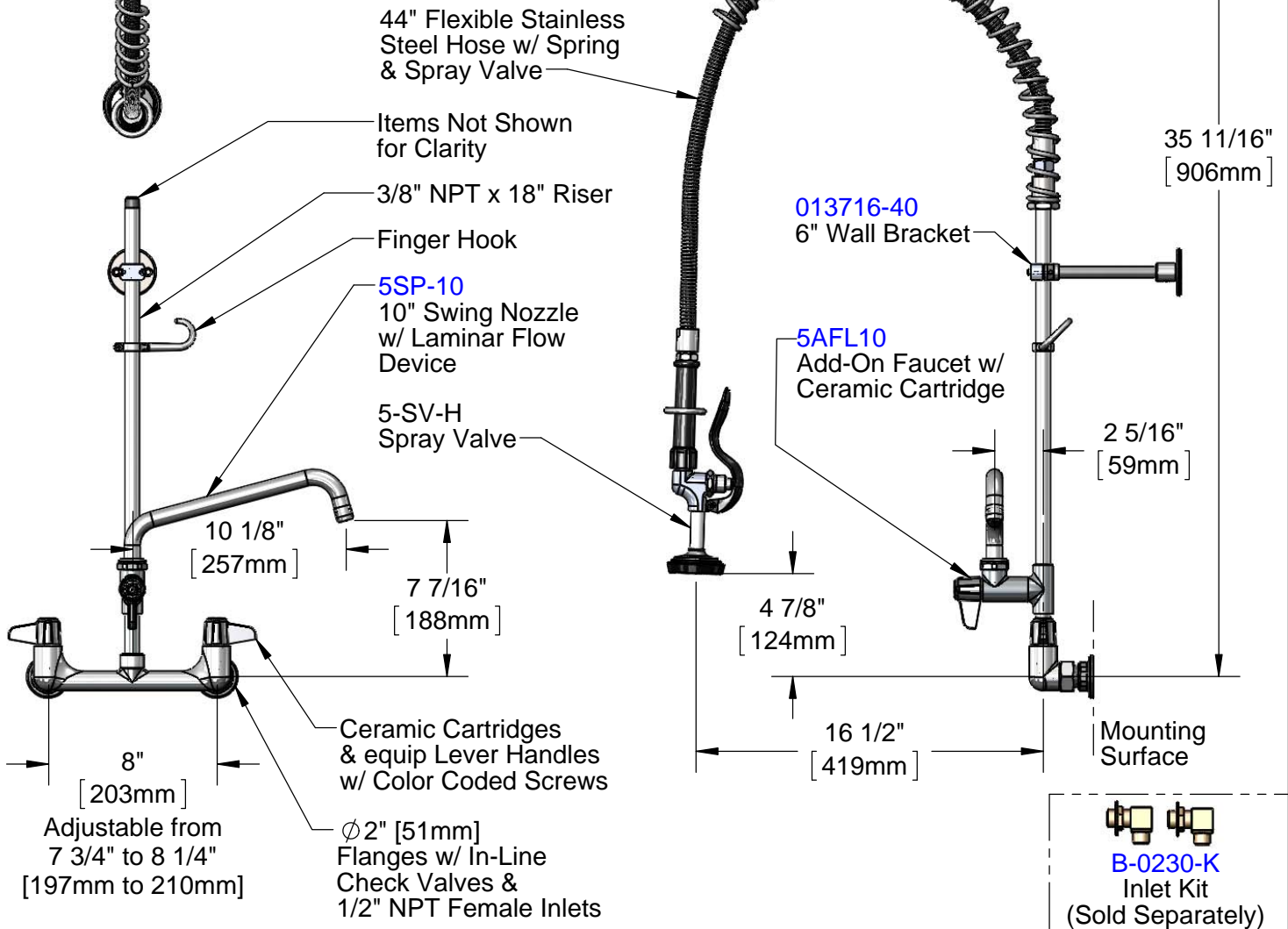
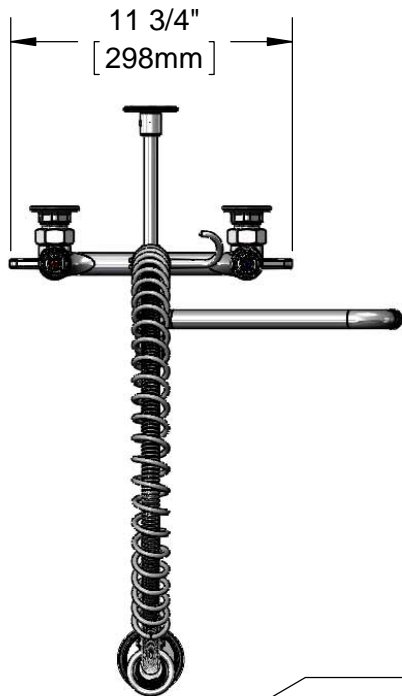


This Space for Architect/Engineer Approval

Job Name _____ Date _____
 Model Specified _____ Quantity _____
 Customer/Wholesaler _____
 Contractor _____
 Architect/Engineer _____



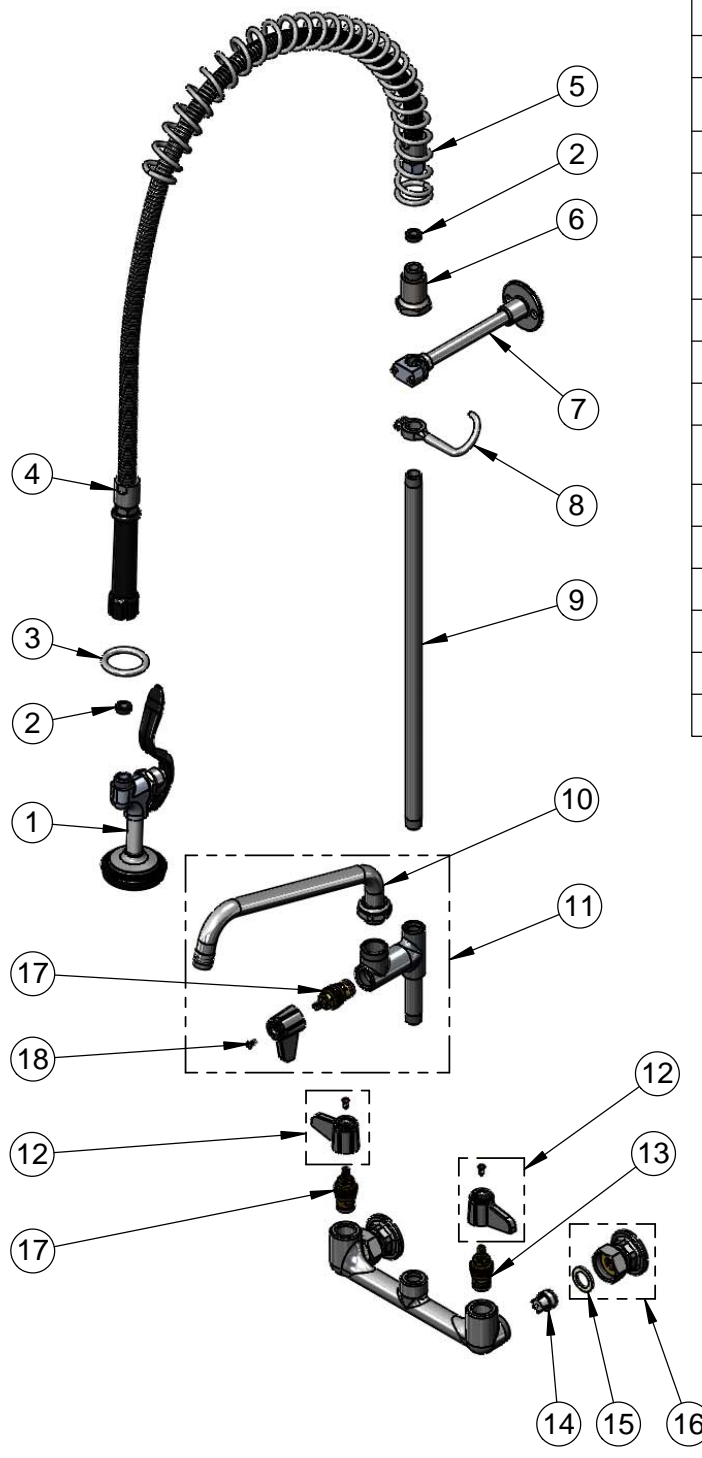
Model Number
5PR-8W10-H

Product Specifications:
 8" Wall Mount Pre-Rinse Unit w/ Ceramic Cartridges, Add-On Faucet w/ 10" Swing Nozzle, 5SV-H Spray Valve, In-Line Check Valves, 6" Wall Bracket & 1/2" NPT Female Inlets

Product Compliance:
 ASME A112.18.1 / CSA B125.1
 NSF 61 - Section 9
 NSF 372 (Low Lead Content)
 EPAAct 2005 Non-Compliant (PRSV)

equip Foodservice Accessories

2 Saddleback Cove, P.O. Box 1088
 Travelers Rest, South Carolina 29690
 Phone: 800.891.4808 Fax: 800.868.0084
 equip.tsbrass.com



| ITEM NO. | SALES NO. | DESCRIPTION |
|----------|-----------|---|
| 1 | 5SV-H | High Flow Spray Valve |
| 2 | 010476-45 | #27 Washer |
| 3 | 000907-45 | Spray Valve Hold Down Ring |
| 4 | 5HSE44 | 44" Flexible Stainless Steel Hose w/ Washer |
| 5 | 014068-45 | Overhead Spring |
| 6 | 000821-40 | Spring Body |
| 7 | 013716-40 | 6" Wall Bracket |
| 8 | 004R | Finger Hook |
| 9 | 000369-40 | 3/8" NPT x 18" Riser |
| 10 | 5SP-10 | 10" Swing Nozzle |
| 11 | 5AFL10 | Add-On Faucet w/ 10" Swing Nozzle |
| 12 | 5-HDL-L | equip Lever Handle w/ Color Coded Screws |
| 13 | 013788-45 | equip Ceramic Cartridge, LTC |
| 14 | 013840-45 | 20mm Check Valve |
| 15 | 001019-45 | Coupling Nut Washer |
| 16 | 00AA | 1/2" NPT Female Eccentric Flange |
| 17 | 013787-45 | equip Ceramic Cartridge, RTC |
| 18 | 013849-45 | Handle Screw |

Model Number
5PR-8W10-H

Product Compliance:
ASME A112.18.1 / CSA B125.1
NSF 61 - Section 9
NSF 372 (Low Lead Content)
EPA Act 2005 Non-Compliant (PRSV)

Product Specifications:
8" Wall Mount Pre-Rinse Unit w/ Ceramic Cartridges, Add-On Faucet w/ 10" Swing Nozzle, 5SV-H Spray Valve, In-Line Check Valves, 6" Wall Bracket & 1/2" NPT Female Inlets

equip
Foodservice
Accessories



2 Saddleback Cove, P.O. Box 1088
Travelers Rest, South Carolina 29690
Phone: 800.891.4808 Fax: 800.868.0084
equip.tsbrass.com