

*This Space for Architect/Engineer Approval*

Job Name \_\_\_\_\_ Date \_\_\_\_\_

Model Specified \_\_\_\_\_ Quantity \_\_\_\_\_

Customer/Wholesaler \_\_\_\_\_

Contractor \_\_\_\_\_

Architect/Engineer \_\_\_\_\_

44" Flexible Stainless Steel Hose w/ Overhead Spring & Spray Valve Assembly

Items Not Shown for Clarity

Finger Hook

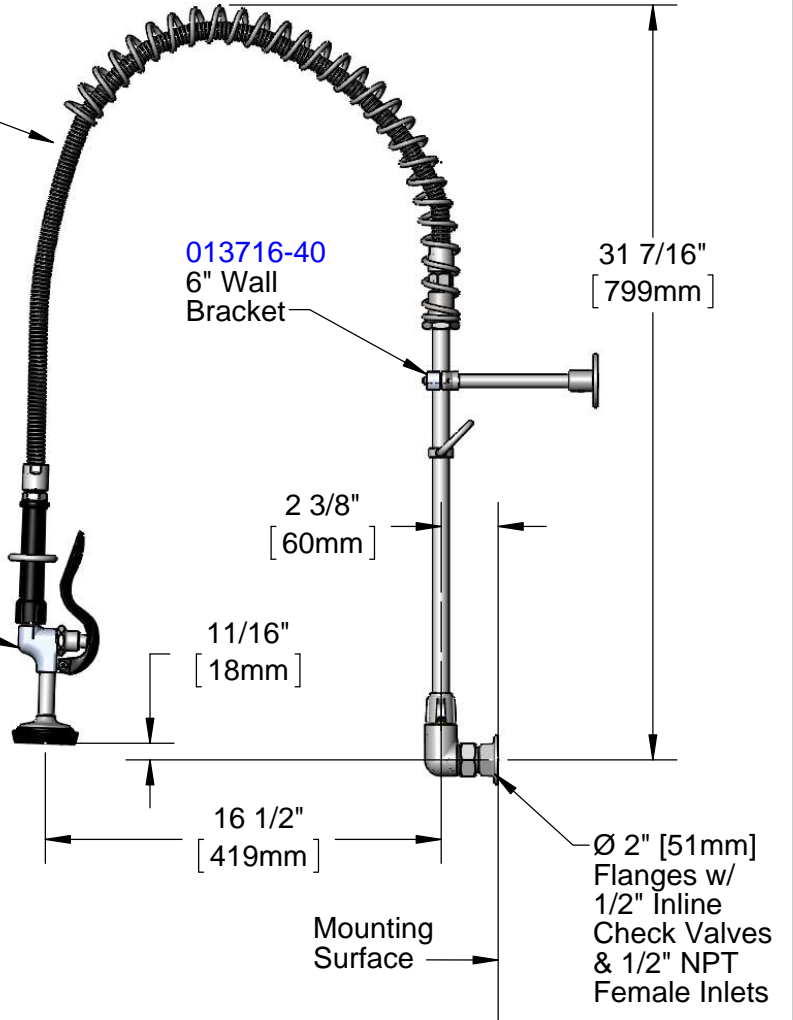
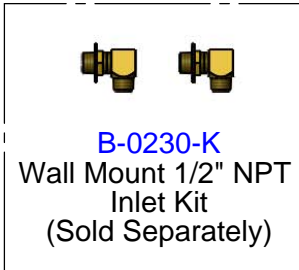
3/8" NPT x 18" Riser

5SV-H High Flow Spray Valve

Quarter-Turn Ceramic Cartridges & equip Lever Handles w/ Color Coded Screws

8" [204mm]

Adjustable from 7 3/4" to 8 1/4" [95mm to 108mm]



Model Number  
**5PR-8W00-H**

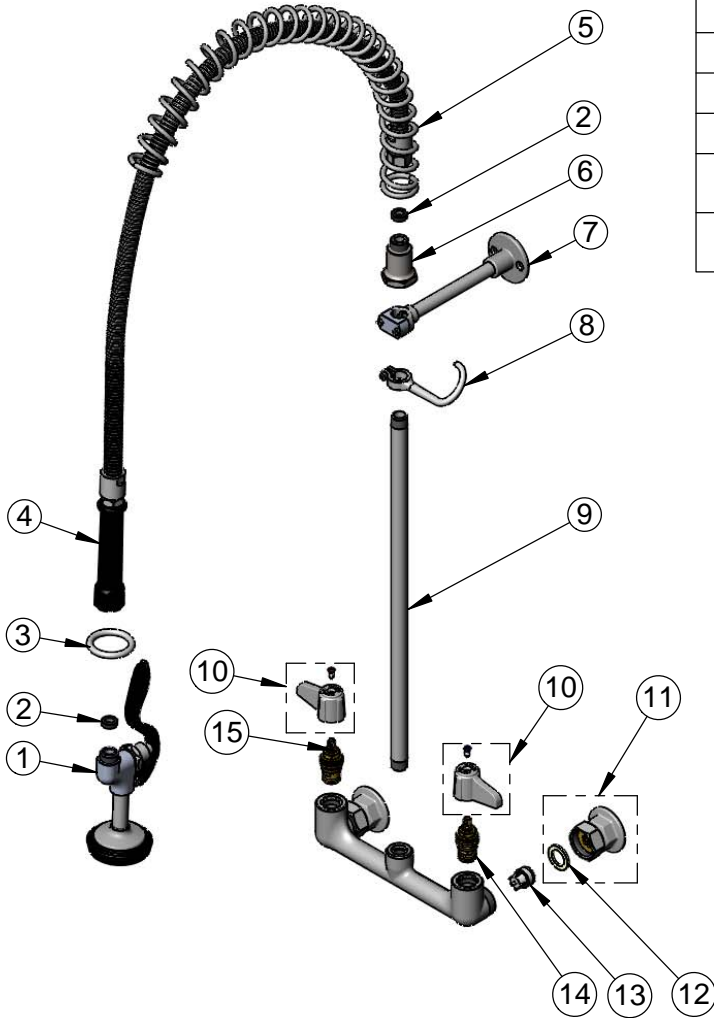
Product Specifications:  
International Pre-Rinse Unit: 8" Wall Mount Mixing Faucet, Quarter-Turn Ceramic Cartridges, 6" Wall Bracket, High Flow Spray Valve, 1/2" In-Line Check Valves & 1/2" NPT Flange Inlets

Product Compliance:  
ASME A112.18.1 / CSA B125.1  
NSF 61 - Section 9  
NSF 372 (Low Lead Content)  
EPA Act 2005 Non-Compliant (PRSV)  
Product Not Designed/Intended for Commercial Warewashing in North America

equip Foodservice Accessories

2 Saddleback Cove, P.O. Box 1088  
Travelers Rest, South Carolina 29690  
Phone: 800.891.4808 Fax: 800.868.0084  
equip.tsbrass.com

ITEM NO.	SALES NO.	DESCRIPTION
1	5SV-H	High Flow Spray Valve
2	010476-45	#27 Washer
3	000907-45	Spray Valve Hold Down Ring
4	5HSE44	44" Flexible Stainless Steel Hose (Includes Washer)
5	014068-45	Overhead Spring
6	000821-40	Spring Body
7	013716-40	6" Wall Bracket
8	004R	Finger Hook
9	000369-40	3/8" NPT x 18" Riser
10	5-HDL-L	Lever Handle (Includes Blue & Red Screws)
11	00AA	1/2" NPT Female Eccentric Flange
12	001019-45	Coupling Nut Washer
13	013840-45	20mm Check Valve
14	013788-45	equip Quarter-Turn Ceramic Cartridge, LTC
15	013787-45	equip Quarter-Turn Ceramic Cartridge, RTC



Model Number

**5PR-8W00-H**

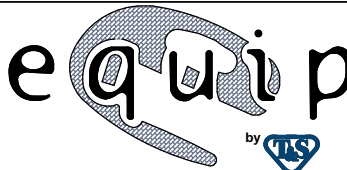
Product Specifications:

International Pre-Rinse Unit: 8" Wall Mount Mixing Faucet, Quarter-Turn Ceramic Cartridges, 6" Wall Bracket, High Flow Spray Valve, 1/2" In-Line Check Valves & 1/2" NPT Flange Inlets

Product Compliance:

ASME A112.18.1 / CSA B125.1  
 NSF 61 - Section 9  
 NSF 372 (Low Lead Content)  
 EPA Act 2005 Non-Compliant (PRSV)  
 Product Not Designed/Intended for  
 Commercial Warewashing in North America

equip  
 Foodservice  
 Accessories



2 Saddleback Cove, P.O. Box 1088  
 Travelers Rest, South Carolina 29690  
 Phone: 800.891.4808 Fax: 800.868.0084  
 equip.tsbrass.com