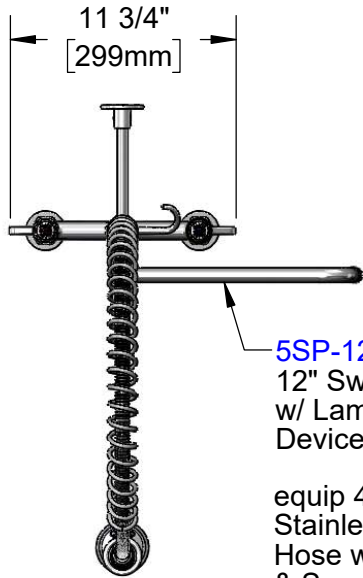


This Space for Architect/Engineer Approval

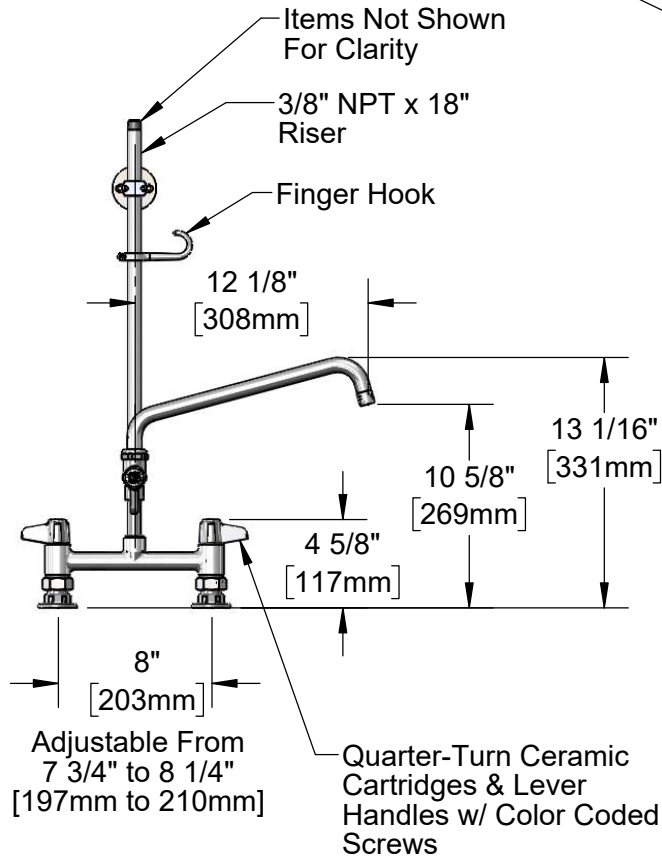
Job Name _____ Date _____
 Model Specified _____ Quantity _____
 Customer/Wholesaler _____
 Contractor _____
 Architect/Engineer _____



5SP-12
 12" Swing Nozzle
 w/ Laminar Flow
 Device



equip 44" Flexible
 Stainless Steel
 Hose w/ Spring
 & Spray Valve



Items Not Shown
 For Clarity

3/8" NPT x 18"
 Riser

Finger Hook

12 1/8"
 [308mm]

13 1/16"
 [331mm]

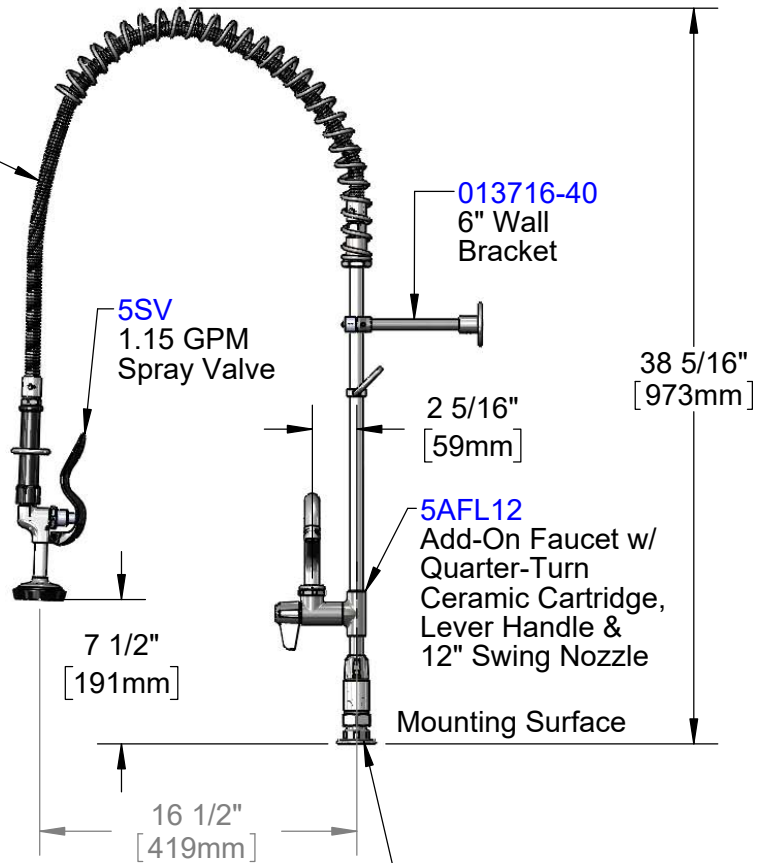
10 5/8"
 [269mm]

4 5/8"
 [117mm]

8"
 [203mm]

Adjustable From
 7 3/4" to 8 1/4"
 [197mm to 210mm]

Quarter-Turn Ceramic
 Cartridges & Lever
 Handles w/ Color Coded
 Screws



013716-40
 6" Wall
 Bracket

5SV
 1.15 GPM
 Spray Valve

2 5/16"
 [59mm]

5AFL12
 Add-On Faucet w/
 Quarter-Turn
 Ceramic Cartridge,
 Lever Handle &
 12" Swing Nozzle

Mounting Surface

38 5/16"
 [973mm]

7 1/2"
 [191mm]

16 1/2"
 [419mm]

Ø 2" [51mm]
 Flanges w/
 In-Line Check
 Valves & 1/2" NPT
 Female Inlets



B-0425-M
 1/2" NPT Supply
 Nipple Kit
 (Sold Separately)

Model Number

5PR-8D12

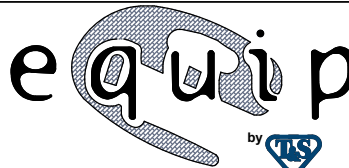
Product Specifications:

Pre-Rinse Unit: 8" Deck Mount Mixing Faucet, Quarter-Turn Ceramic Cartridges, Lever Handles, Add-On Faucet w/ 12" Swing Nozzle, 44" Flexible Stainless Steel Hose, 1.15 GPM Spray Valve, In-Line Check Valves, 6" Wall Bracket & 1/2" NPT Female Inlets

Product Compliance:

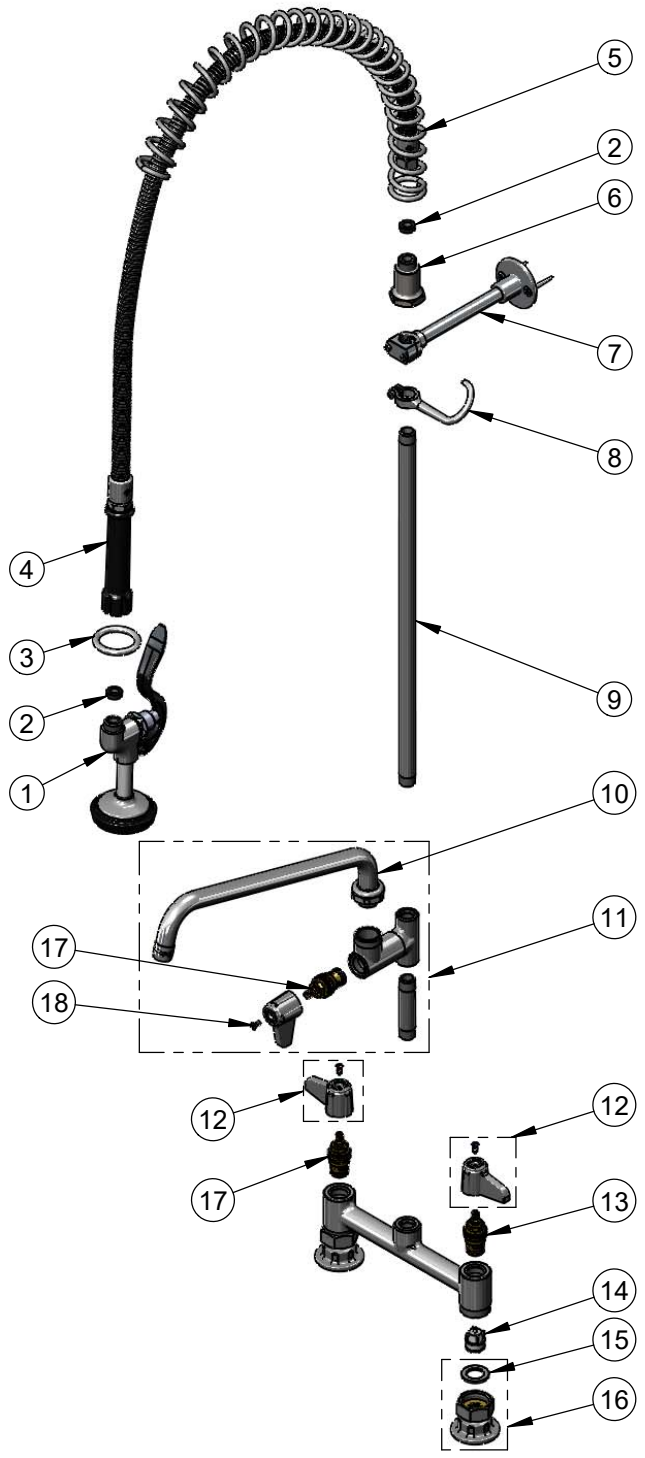
ASME A112.18.1 / CSA B125.1
 NSF 61 - Section 9
 NSF 372 (Low Lead Content)
 2019 DOE PRSV - Class II

equip
 Foodservice
 Accessories



2 Saddleback Cove, P.O. Box 1088
 Travelers Rest, South Carolina 29690
 Phone: 800.891.4808 Fax: 800.868.0084
 equip.tsbrass.com

ITEM NO.	SALES NO.	DESCRIPTION
1	5SV	equip 1.15 GPM Spray Valve
2	010476-45	#27 Washer
3	000907-45	Spray Valve Hold Down Ring
4	5HSE44	equip 44" Flexible Stainless Steel Hose
5	014068-45	Overhead Spring
6	000821-40	Spring Body
7	013716-40	6" Wall Bracket
8	004R	Finger Hook
9	000369-40	3/8" NPT x 18" Riser
10	5SP-12	equip 12" Swing Nozzle
11	5AFL12	Add-On Faucet w/ 12" Swing Nozzle
12	5-HDL-L	equip Lever Handle w/ Color Coded Screws
13	013788-45	equip Quarter-Turn Ceramic Cartridge, LTC
14	013840-45	20mm Check Valve (2)
15	001019-45	Coupling Nut Washer
16	00AA	1/2" NPT Female Eccentric Flange
17	013787-45	equip Quarter-Turn Ceramic Cartridge, RTC
18	013849-45	Screw, 4mm Metric (10)



Model Number
5PR-8D12

Product Compliance:
ASME A112.18.1 / CSA B125.1
NSF 61 - Section 9
NSF 372 (Low Lead Content)
2019 DOE PRSV - Class II

Product Specifications:
Pre-Rinse Unit: 8" Deck Mount Mixing Faucet, Quarter-Turn Ceramic Cartridges, Lever Handles, Add-On Faucet w/ 12" Swing Nozzle, 44" Flexible Stainless Steel Hose, 1.15 GPM Spray Valve, In-Line Check Valves, 6" Wall Bracket & 1/2" NPT Female Inlets

equip Foodservice Accessories



2 Saddleback Cove, P.O. Box 1088
Travelers Rest, South Carolina 29690
Phone: 800.891.4808 Fax: 800.868.0084
equip.tsbrass.com