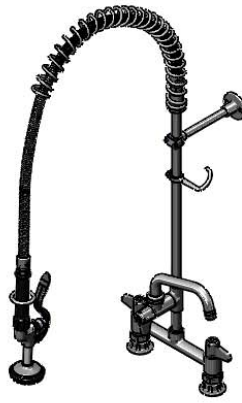
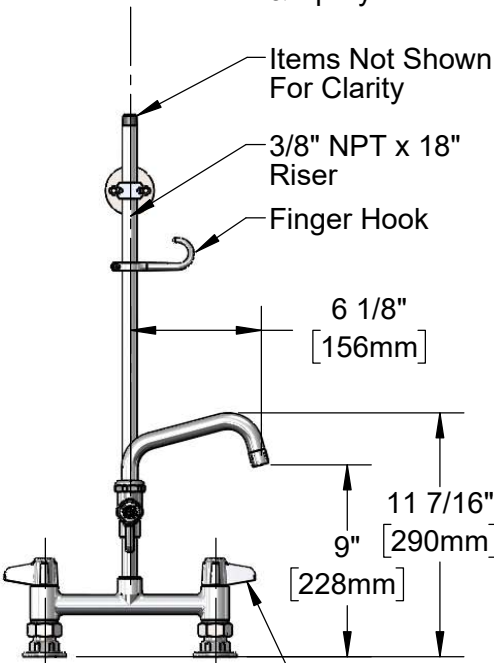


**5SP-06**  
6" Swing Nozzle  
w/ Laminar  
Flow Device



equip 44"  
Flexible  
Stainless Steel  
Hose w/ Spring  
& Spray Valve



Items Not Shown  
For Clarity

3/8" NPT x 18"  
Riser

Finger Hook

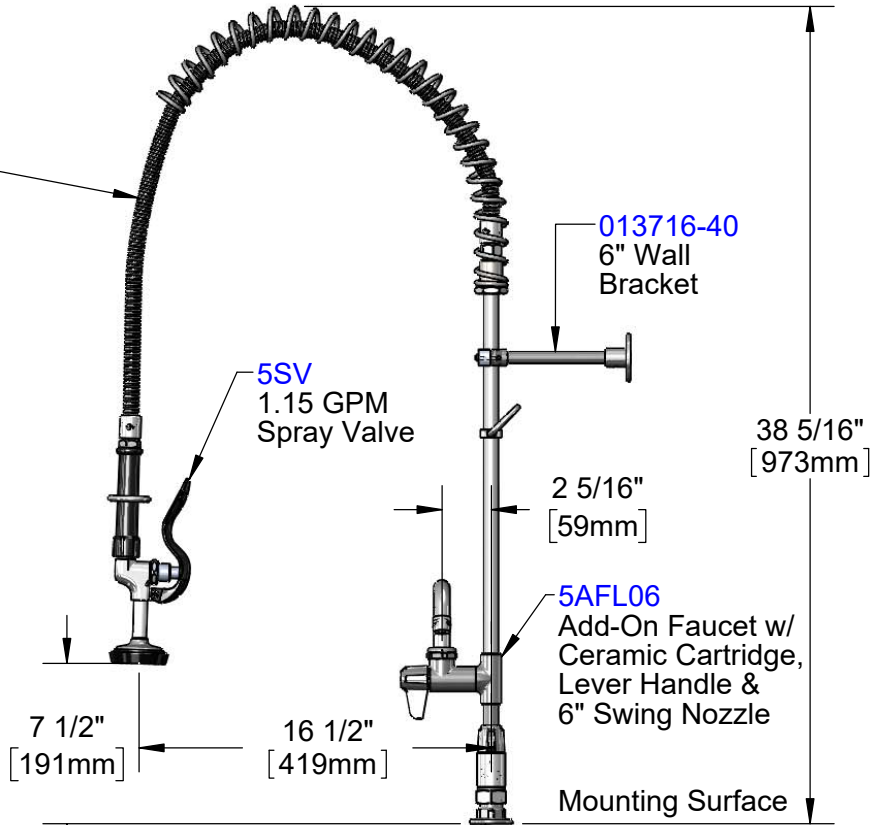
6 1/8"  
[156mm]

11 7/16"  
9" [228mm]

Quarter-Turn  
Ceramic Cartridges  
& equip Lever  
Handles w/ Color  
Coded Screws

8"  
[203mm]

Adjustable From  
7 3/4" to 8 1/4"  
[197mm to 210mm]



**013716-40**  
6" Wall  
Bracket

**5SV**  
1.15 GPM  
Spray Valve

38 5/16"  
[973mm]

2 5/16"  
[59mm]

**5AFL06**  
Add-On Faucet w/  
Ceramic Cartridge,  
Lever Handle &  
6" Swing Nozzle

7 1/2"  
[191mm]

16 1/2"  
[419mm]

Mounting Surface

Ø 2" [51mm]  
Flanges w/  
In-Line Check  
Valves & 1/2" NPT  
Female Inlets



**B-0425-M**  
1/2" NPT Supply  
Nipple Kit  
(Sold Separately)

*This Space for Architect/Engineer Approval*

Job Name \_\_\_\_\_ Date \_\_\_\_\_

Model Specified \_\_\_\_\_ Quantity \_\_\_\_\_

Customer/Wholesaler \_\_\_\_\_

Contractor \_\_\_\_\_

Architect/Engineer \_\_\_\_\_

Model Number

**5PR-8D06**

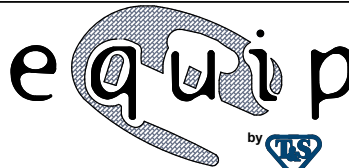
Product Compliance:

ASME A112.18.1 / CSA B125.1  
NSF 61 - Section 9  
NSF 372 (Low Lead Content)  
2019 DOE PRSV - Class II

Product Specifications:

Pre-Rinse Unit: 8" Deck Mount Mixing Faucet w/ Quarter-Turn Ceramic Cartridges, Add-On Faucet w/ 6" Swing Nozzle, 1.15 GPM Spray Valve, 6" Wall Bracket, In-Line Check Valves & 1/2" NPT Female Inlets

equip  
Foodservice  
Accessories



2 Saddleback Cove, P.O. Box 1088  
Travelers Rest, South Carolina 29690  
Phone: 800.891.4808 Fax: 800.868.0084  
equip.tsbrass.com

Drawn: AMG

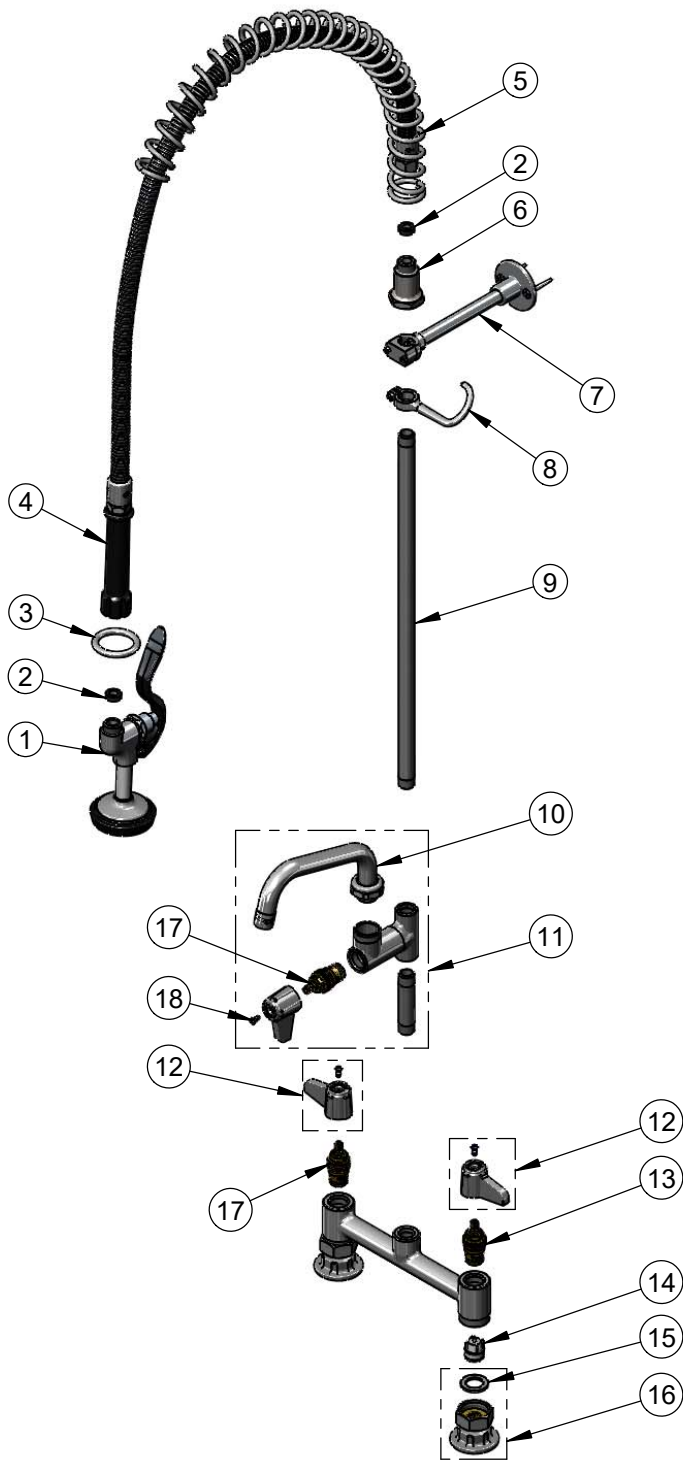
Checked: JRM

Approved: JHB

Date: 10/15/18

Scale: 1:9

Sheet: 1 of 2



ITEM NO.	SALES NO.	DESCRIPTION
1	5SV	1.15 GPM equip Spray Valve
2	010476-45	#27 Washer
3	000907-45	Spray Valve Hold Down Ring
4	5HSE44	44" Flexible Stainless Steel Hose (Includes Washer)
5	014068-45	Overhead Spring
6	000821-40	Spring Body
7	013716-40	6" Wall Bracket
8	004R	Finger Hook
9	000369-40	3/8" NPT x 18" Riser
10	5SP-06	equip 6" Swing Nozzle
11	5AFL06	Add-On Faucet w/ 6" Swing Nozzle
12	5-HDL-L	equip Lever Handle w/ Color Coded Screws
13	013788-45	equip Ceramic Cartridge, LTC
14	013840-45	20mm Check Valve (2)
15	001019-45	Coupling Nut Washer
16	00AA	1/2" NPT Female Inlet Flange
17	013787-45	Equip Ceramic Cartridge, RTC
18	013849-45	Screw, 4mm Metric (10)

Model Number

**5PR-8D06**

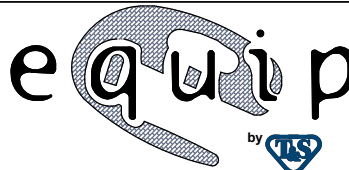
Product Specifications:

Pre-Rinse Unit: 8" Deck Mount Mixing Faucet w/ Quarter-Turn Ceramic Cartridges, Add-On Faucet w/ 6" Swing Nozzle, 1.15 GPM Spray Valve, 6" Wall Bracket, In-Line Check Valves & 1/2" NPT Female Inlets

Product Compliance:

ASME A112.18.1 / CSA B125.1  
NSF 61 - Section 9  
NSF 372 (Low Lead Content)  
2019 DOE PRSV - Class II

equip  
Foodservice  
Accessories



2 Saddleback Cove, P.O. Box 1088  
Travelers Rest, South Carolina 29690  
Phone: 800.891.4808 Fax: 800.868.0084  
equip.tsbrass.com