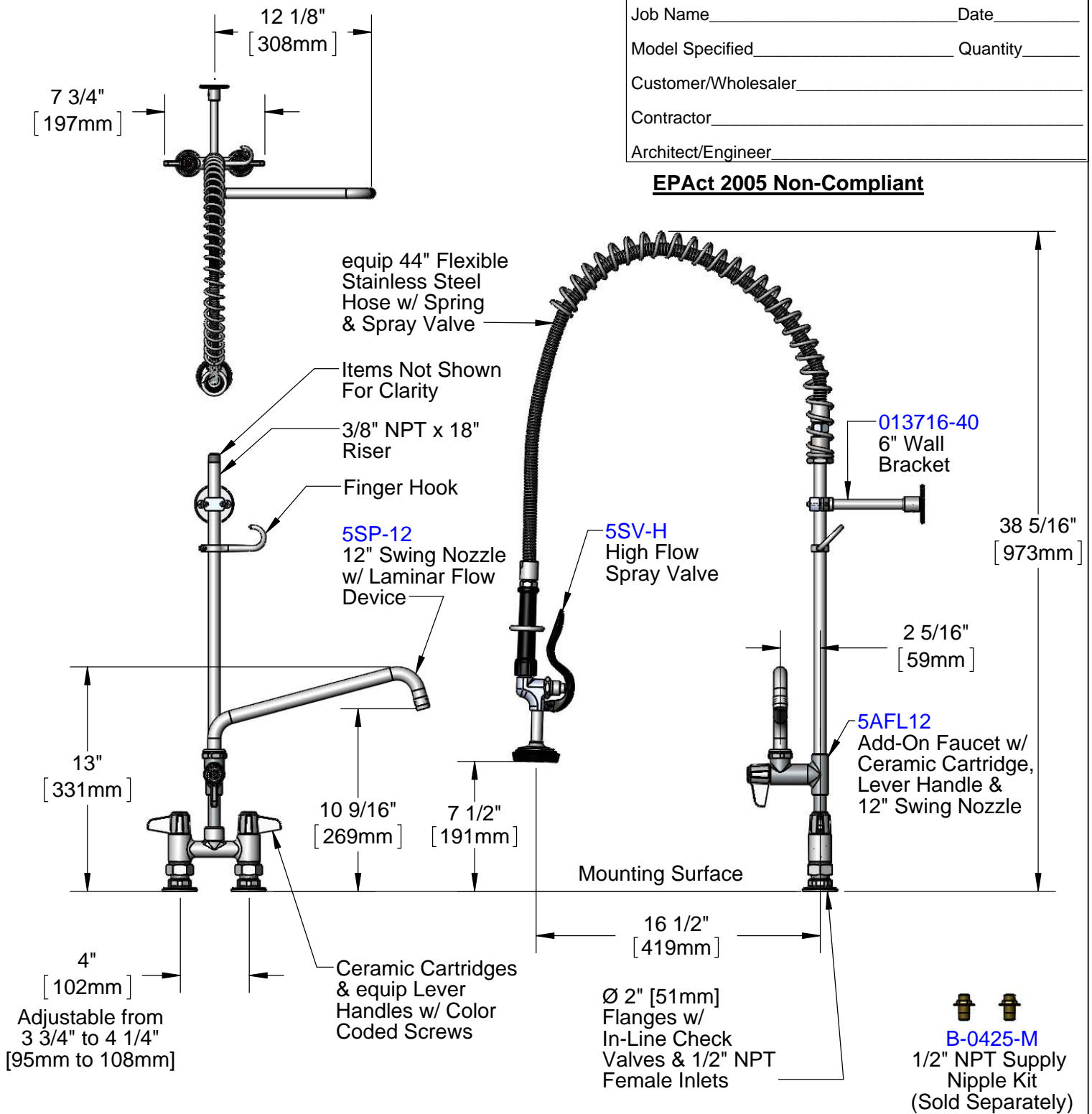


This Space for Architect/Engineer Approval

Job Name _____ Date _____
 Model Specified _____ Quantity _____
 Customer/Wholesaler _____
 Contractor _____
 Architect/Engineer _____

EPAct 2005 Non-Compliant

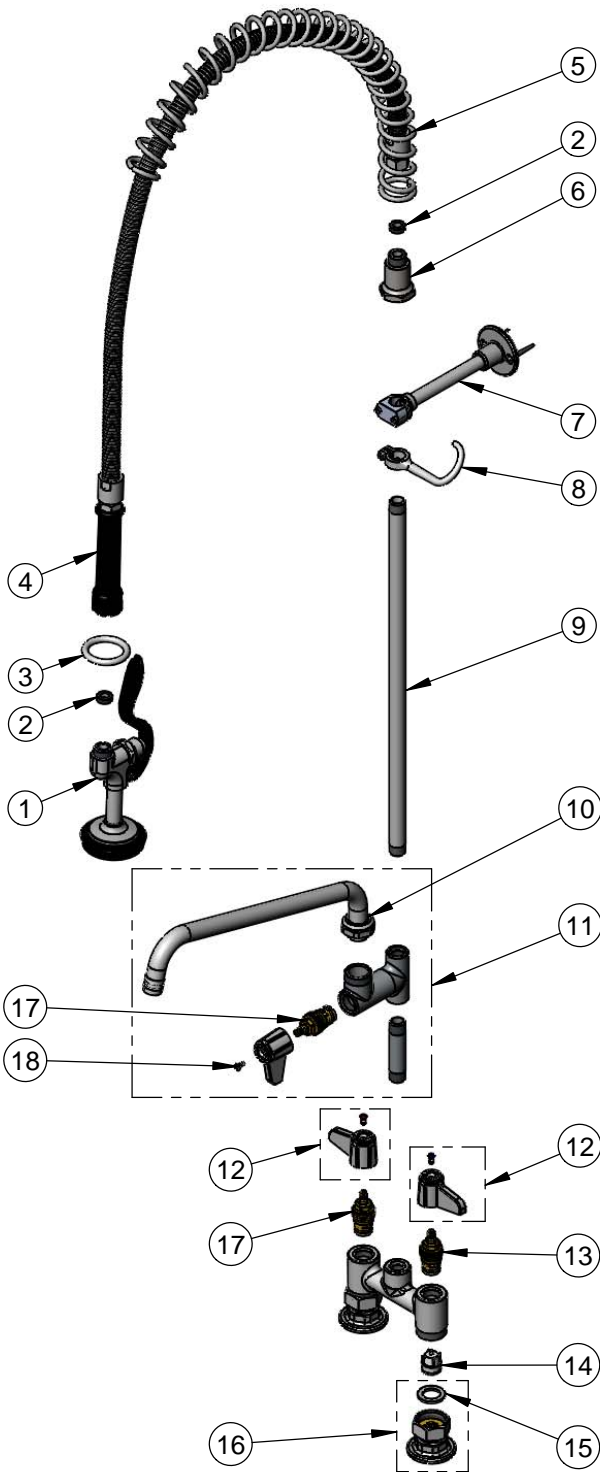


Model Number 5PR-4D12-H	Date 11/07/13	Scale 1:8	Drawn KJG	Checked DMH	Approved JHB
-----------------------------------	------------------	--------------	--------------	----------------	-----------------

Product Specifications:
Pre-Rinse Unit: 4" Deck Mount Mixing Faucet w/ Ceramic Cartridges, Add-On Faucet w/ 12" Swing Nozzle, High Flow Spray Valve, 6" Wall Bracket, In-Line Check Valves & 1/2" NPT Female Inlets



equip Foodservice Accessories
 2 Saddleback Cove, P.O. Box 1088
 Travelers Rest, South Carolina 29690
 Phone: 800.891.4808 Fax: 800.868.0084



ITEM NO.	SALES NO.	DESCRIPTION
1	5SV-H	equip High Flow Spray Valve
2	010476-45	#27 Washer
3	000907-45	Spray Valve Hold Down Ring
4	5HSE44	44" Flexible Stainless Steel Hose (Includes Washer)
5	014068-45	Overhead Spring
6	000821-40	Spring Body
7	013716-40	6" Wall Bracket
8	004R	Finger Hook
9	000369-40	3/8" NPT x 18" Long Riser
10	5SP-12	equip 12" Swing Nozzle
11	5AFL12	Add-On Faucet w/ 12" Swing Nozzle
12	5-HDL-L	equip Lever Handle w/ Color Coded Screws
13	013788-45	equip Ceramic Cartridge, LTC
14	013840-45	20mm Check Valve (2)
15	001019-45	Coupling Nut Washer
16	00AA	1/2" NPT Female Wall Flange
17	013787-45	Equip Ceramic Cartridge, RTC
18	013849-45	Screw, 4mm Metric (10)

Model Number 5PR-4D12-H	Date 11/07/13	Scale NTS	Drawn KJG	Checked DMH	Approved JHB
-----------------------------------	------------------	--------------	--------------	----------------	-----------------



Product Specifications:

Pre-Rinse Unit: 4" Deck Mount Mixing Faucet w/ Ceramic Cartridges, Add-On Faucet w/ 12" Swing Nozzle, High Flow Spray Valve, 6" Wall Bracket, In-Line Check Valves & 1/2" NPT Female Inlets

equip Foodservice Accessories
 2 Saddleback Cove, P.O. Box 1088
 Travelers Rest, South Carolina 29690
 Phone: 800.891.4808 Fax: 800.868.0084