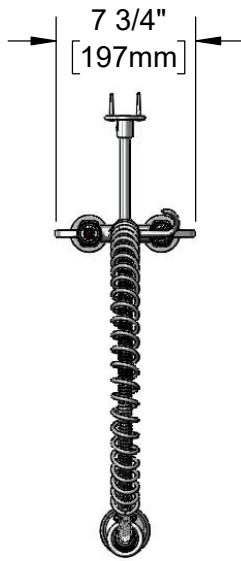


This Space for Architect/Engineer Approval

Job Name _____ Date _____
 Model Specified _____ Quantity _____
 Customer/Wholesaler _____
 Contractor _____
 Architect/Engineer _____



equip 44" Flexible
Stainless Steel
Hose w/ Spring
& Spray Valve

Items Not Shown
For Clarity

Finger Hook

3/8" NPT x 18"
Riser

Ceramic Cartridges
& equip Lever
Handles w/ Color
Coded Screws

4"
[102mm]
Adjustable from
3 3/4" to 4 1/4"
[95mm to 108mm]

Ø 2" [51mm]
Flanges w/
In-Line Check
Valves & 1/2" NPT
Female Inlets

3 1/4"
[83mm]

Mounting Surface

16 1/2"
[419mm]

1.15 GPM
Spray Valve

013716-40
6" Wall
Bracket

34 1/16"
[866mm]



B-0425-M
1/2" NPT Supply
Nipple Kit
(Sold Separately)

Model Number

5PR-4D00

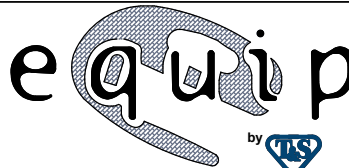
Product Specifications:

Pre-Rinse Unit: 4" Deck Mount Mixing Faucet w/ Ceramic Cartridges,
1.15 GPM Spray Valve, 6" Wall Bracket, In-Line Check Valves
& 1/2" NPT Female Inlets

Product Compliance:

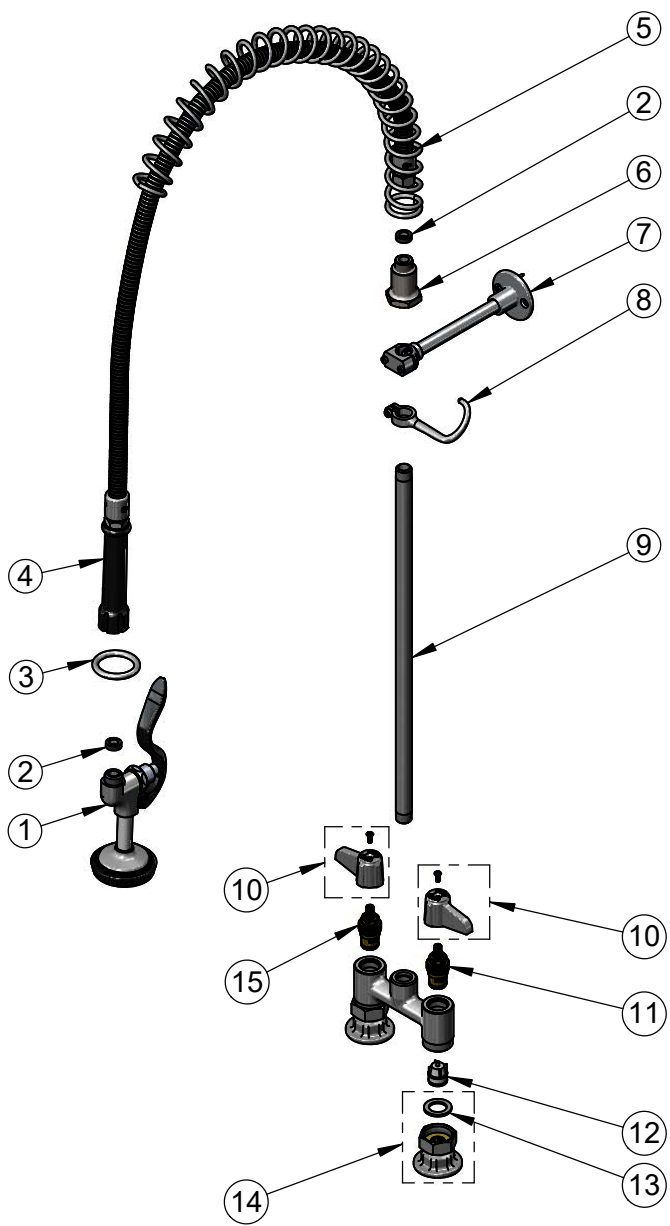
ASME A112.18.1 / CSA B125.1
NSF 61 - Section 9
NSF 372 (Low Lead Content)
2019 DOE PRSV - Class II

equip
Foodservice
Accessories



2 Saddleback Cove, P.O. Box 1088
Travelers Rest, South Carolina 29690
Phone: 800.891.4808 Fax: 800.868.0084
equip.tsbrass.com

ITEM NO.	SALES NO.	DESCRIPTION
1	5SV	equip 1.15 GPM Spray Valve
2	010476-45	#27 Washer
3	000907-45	Spray Valve Hold Down Ring
4	5HSE44	44" Flexible Stainless Steel Hose
5	014068-45	Overhead Spring
6	000821-40	Spring Body
7	013716-40	6" Wall Bracket
8	004R	Finger Hook
9	000369-40	3/8" NPT x 18" Riser
10	5-HDL-L	equip Lever Handle w/ Color Coded Screws
11	013788-45	equip Ceramic Cartridge, LTC
12	013840-45	20mm Check Valve (2)
13	001019-45	Coupling Nut Washer
14	00AA	1/2" NPT Female Eccentric Flange
15	013787-45	Equip Ceramic Cartridge, RTC



Model Number
5PR-4D00

Product Compliance:
ASME A112.18.1 / CSA B125.1
NSF 61 - Section 9
NSF 372 (Low Lead Content)
2019 DOE PRSV - Class II

Product Specifications:
Pre-Rinse Unit: 4" Deck Mount Mixing Faucet w/ Ceramic Cartridges, 1.15 GPM Spray Valve, 6" Wall Bracket, In-Line Check Valves & 1/2" NPT Female Inlets

equip
Foodservice
Accessories



2 Saddleback Cove, P.O. Box 1088
Travelers Rest, South Carolina 29690
Phone: 800.891.4808 Fax: 800.868.0084
equip.tsbrass.com