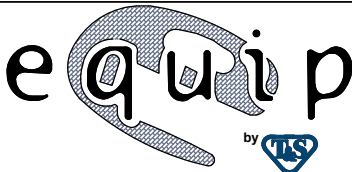
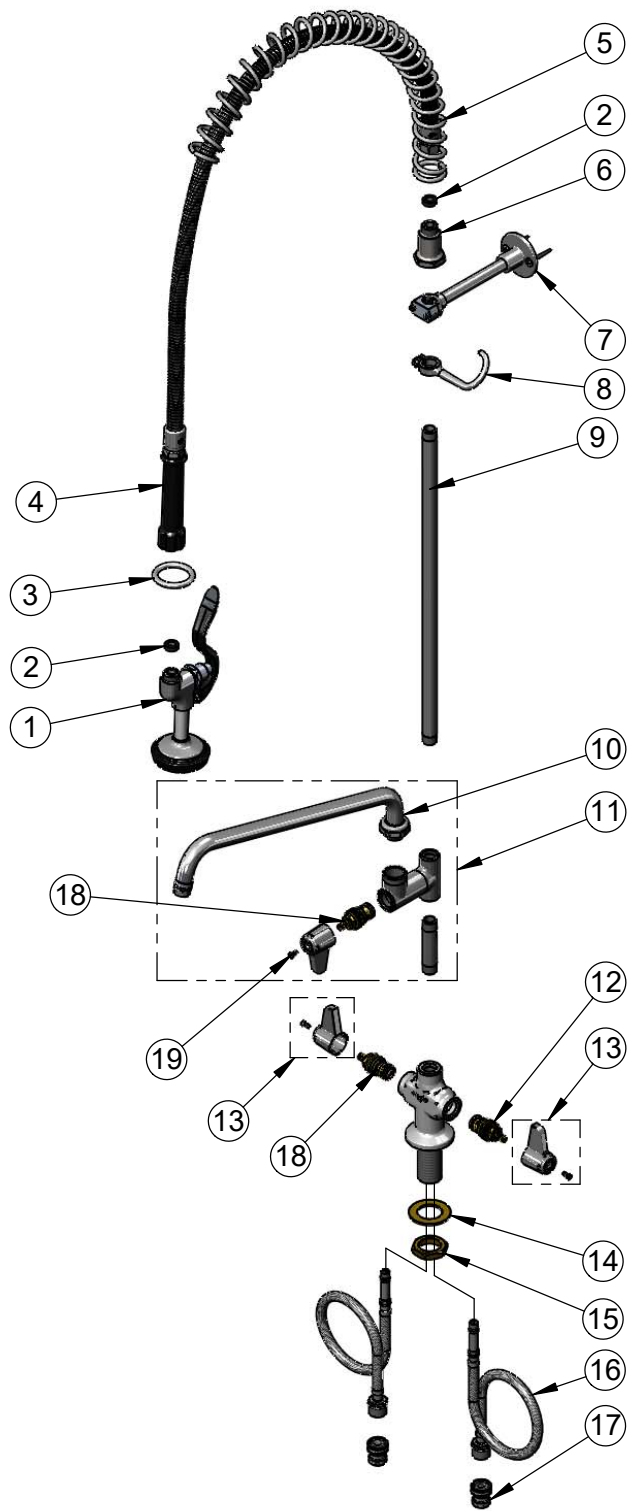


<p>Model Number</p> <p><b>5PR-2S14</b></p>	<p>Product Specifications:</p> <p>Pre-Rinse Unit: Single Hole Deck Mount Mixing Faucet, Quarter-Turn Ceramic Cartridges, Add-On Faucet w/ 14" Swing Nozzle, 6" Wall Bracket, 1.15 GPM Spray Valve, 1/2" BSSP In-Line Check Valves &amp; Flexible Supply Hoses</p>
<p>Product Compliance:</p> <p>ASME A112.18.1 / CSA B125.1 NSF 61 - Section 9 NSF 372 (Low Lead Content) 2019 DOE PRSV - Class II</p>	<p>equip Foodservice Accessories</p>  <p>2 Saddleback Cove, P.O. Box 1088 Travelers Rest, South Carolina 29690 Phone: 800.891.4808 Fax: 800.868.0084 equip.tsbrass.com</p>



ITEM NO.	SALES NO.	DESCRIPTION
1	5SV	1.15 GPM equip Spray Valve
2	010476-45	#27 Washer
3	000907-45	Spray Valve Hold Down Ring
4	5HSE44	equip 44" Flexible Stainless Steel Hose w/ Black Handle & Washer
5	014068-45	Overhead Spring
6	000821-40	Spring Body
7	013716-40	6" Wall Bracket
8	004R	Finger Hook
9	000369-40	3/8" NPT x 18" Riser
10	5SP-14	equip 14" Swing Nozzle
11	5AFL14	Add-On Faucet w/ 14" Swing Nozzle
12	013788-45	Equip Ceramic Cartridge, LTC
13	5-HDL-L	equip Lever Handle w/ Color Coded Screws
14	002290-45	Lock Washer
15	000965-45	Lock Nut
16	012534-45	18" Flexible Supply Hose (2)
17	010321-45	1/2" BSPP In-Line Check Valve
18	013787-45	Equip Ceramic Cartridge, RTC
19	013849-45	Handle Screw (10)

Model Number

**5PR-2S14**

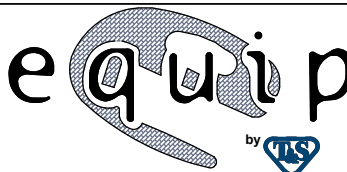
Product Specifications:

Pre-Rinse Unit: Single Hole Deck Mount Mixing Faucet, Quarter-Turn Ceramic Cartridges, Add-On Faucet w/ 14" Swing Nozzle, 6" Wall Bracket, 1.15 GPM Spray Valve, 1/2" BSPP In-Line Check Valves & Flexible Supply Hoses

Product Compliance:

ASME A112.18.1 / CSA B125.1  
NSF 61 - Section 9  
NSF 372 (Low Lead Content)  
2019 DOE PRSV - Class II

equip  
Foodservice  
Accessories



2 Saddleback Cove, P.O. Box 1088  
Travelers Rest, South Carolina 29690  
Phone: 800.891.4808 Fax: 800.868.0084  
equip.tsbrass.com