

This Space for Architect/Engineer Approval

Job Name \_\_\_\_\_ Date \_\_\_\_\_

Model Specified \_\_\_\_\_ Quantity \_\_\_\_\_

Customer/Wholesaler \_\_\_\_\_

Contractor \_\_\_\_\_

Architect/Engineer \_\_\_\_\_

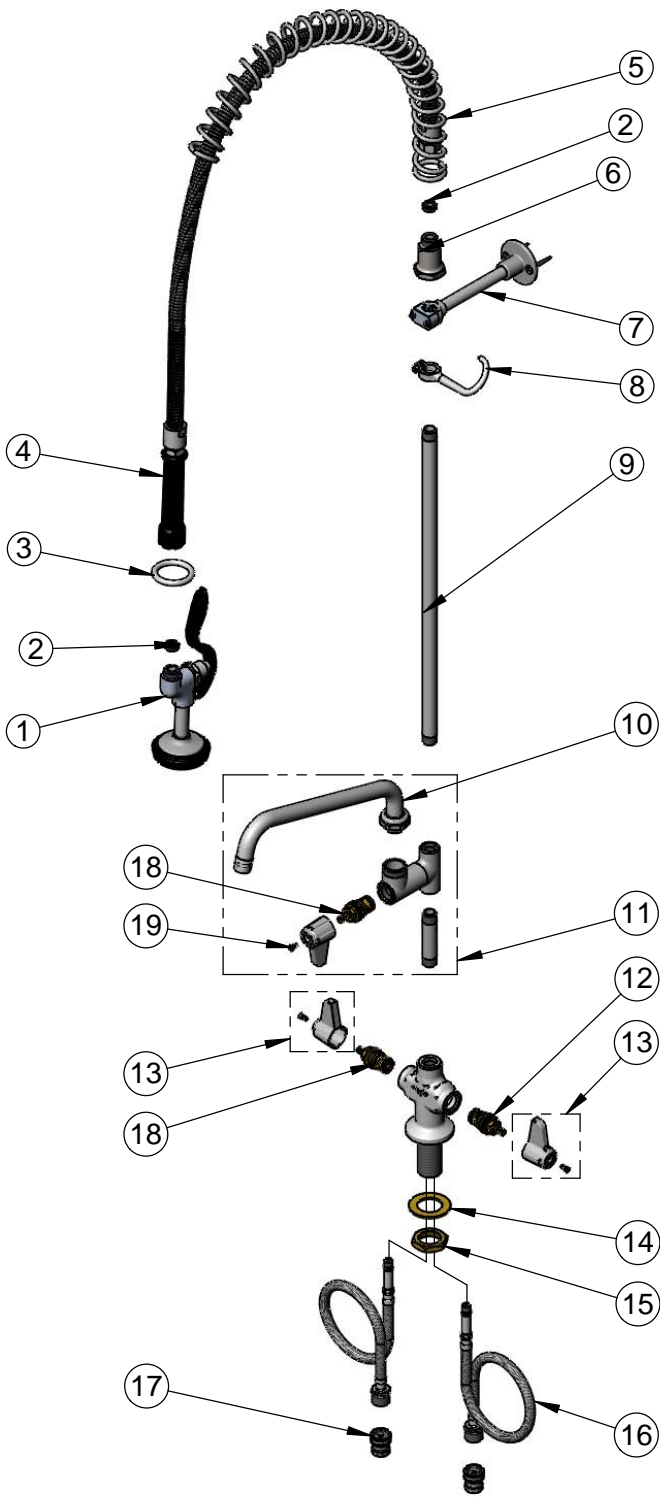
Model Number  
**5PR-2S10-H**

Product Compliance:  
ASME A112.18.1 / CSA B125.1  
NSF 61 - Section 9  
NSF 372 (Low Lead Content)  
EPA Act 2005 Non-Compliant (PRSV)  
Product Not Designed/Intended for  
Commercial Warewashing in North America

Product Specifications:  
International Pre-Rinse Unit: Single Hole Deck Mount Mixing Faucet,  
Quarter-Turn Ceramic Cartridges, Add-On Faucet w/ 10" Swing Nozzle,  
6" Wall Bracket, High Flow Spray Valve, 1/2" BSPP In-Line Check Valves  
& Flexible Supply Hoses

equip  
Foodservice  
Accessories

2 Saddleback Cove, P.O. Box 1088  
Travelers Rest, South Carolina 29690  
Phone: 800.891.4808 Fax: 800.868.0084  
equip.tsbrass.com



ITEM NO.	SALES NO.	DESCRIPTION
1	5SV-H	equip High Flow Spray Valve
2	010476-45	#27 Washer
3	000907-45	Spray Valve Hold Down Ring
4	5HSE44	equip 44" Flexible Stainless Steel Hose
5	014068-45	Overhead Spring
6	000821-40	Spring Body
7	013716-40	6" Wall Bracket
8	004R	Finger Hook
9	000369-40	3/8" NPT x 18" Riser
10	5SP-10	equip 10" Swing Nozzle
11	5AFL10	Add-On Faucet w/ 10" Swing Nozzle
12	013788-45	equip Quarter-Turn Ceramic Cartridge, LTC
13	5-HDL-L	equip Lever Handle w/ Color Coded Screws
14	002290-45	Lock Washer
15	000965-45	Lock Nut
16	012436-45	18" Flexible Supply Hose (2)
17	010321-45	1/2" BSPP In-Line Check Valve
18	013787-45	equip Quarter-Turn Ceramic Cartridge, RTC
19	013849-45	Handle Screw (10)

Model Number

**5PR-2S10-H**

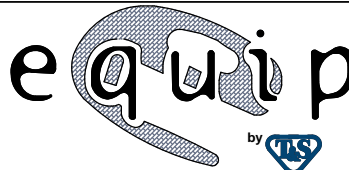
Product Specifications:

International Pre-Rinse Unit: Single Hole Deck Mount Mixing Faucet, Quarter-Turn Ceramic Cartridges, Add-On Faucet w/ 10" Swing Nozzle, 6" Wall Bracket, High Flow Spray Valve, 1/2" BSPP In-Line Check Valves & Flexible Supply Hoses

Product Compliance:

ASME A112.18.1 / CSA B125.1  
 NSF 61 - Section 9  
 NSF 372 (Low Lead Content)  
 EPA Act 2005 Non-Compliant (PRSV)  
 Product Not Designed/Intended for  
 Commercial Warewashing in North America

equip  
 Foodservice  
 Accessories



2 Saddleback Cove, P.O. Box 1088  
 Travelers Rest, South Carolina 29690  
 Phone: 800.891.4808 Fax: 800.868.0084  
 equip.tsbrass.com