

5SP-18
equip 18" Swing
Nozzle w/ Laminar
Flow Device

equip 44" Flexible
Stainless Steel
Hose w/ Spring
& Spray Valve

This Space for Architect/Engineer Approval

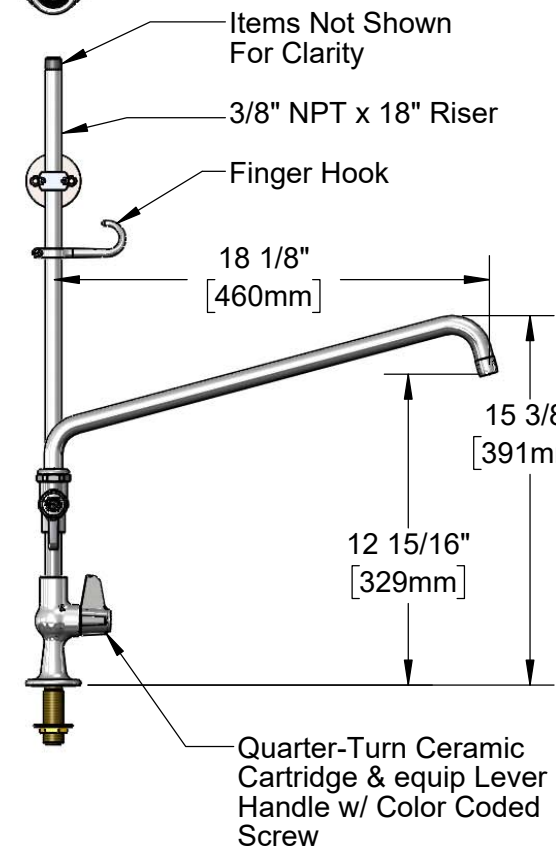
Job Name _____ Date _____

Model Specified _____ Quantity _____

Customer/Wholesaler _____

Contractor _____

Architect/Engineer _____



Items Not Shown
For Clarity

3/8" NPT x 18" Riser

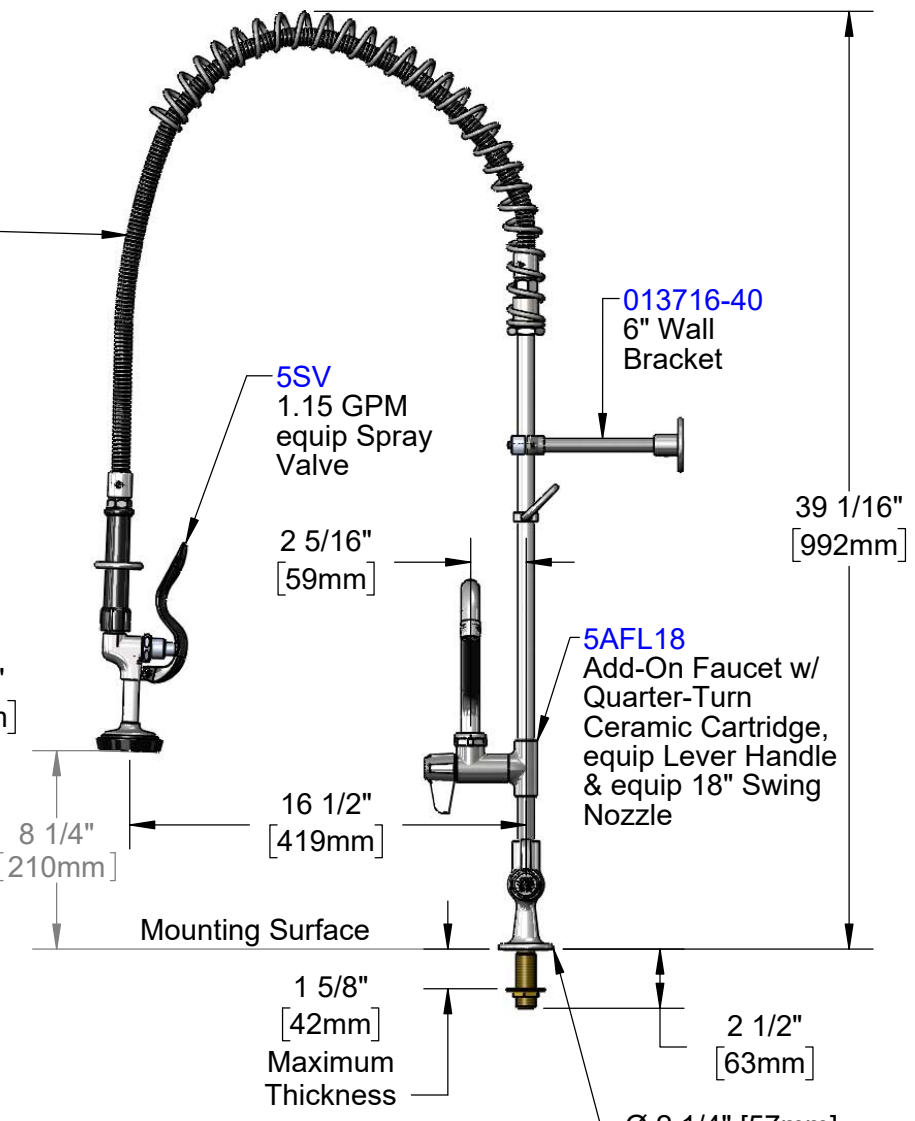
Finger Hook

18 1/8"
[460mm]

15 3/8"
[391mm]

12 15/16"
[329mm]

Quarter-Turn Ceramic
Cartridge & equip Lever
Handle w/ Color Coded
Screw



013716-40
6" Wall
Bracket

5SV
1.15 GPM
equip Spray
Valve

2 5/16"
[59mm]

16 1/2"
[419mm]

8 1/4"
[210mm]

39 1/16"
[992mm]

1 5/8"
[42mm]
Maximum
Thickness

2 1/2"
[63mm]

5AFL18
Add-On Faucet w/
Quarter-Turn
Ceramic Cartridge,
equip Lever Handle
& equip 18" Swing
Nozzle

Ø 2 1/4" [57mm]
Flange w/ 1/2" NPSM
Male Inlet

Mounting Surface

Rough-In Requirement:
Ø 1" [25mm] Mounting Hole

Model Number
5PR-1S18

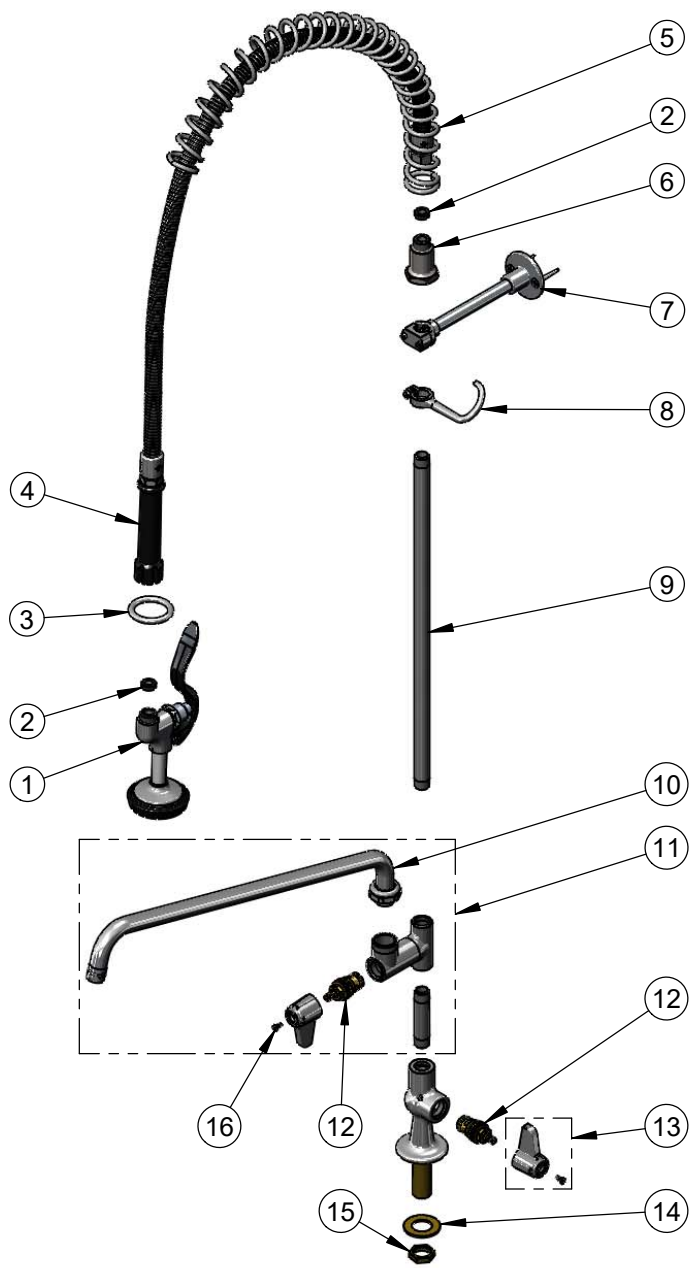
Product Compliance:
ASME A112.18.1 / CSA B125.1
NSF 61 - Section 9
NSF 372 (Low Lead Content)
2019 DOE PRSV - Class II

Product Specifications:
PRU: Single Hole Deck Mount Faucet, Quarter-Turn Ceramic Cartridge, equip 18" Swing Nozzle, equip 44" Flexible Stainless Steel Hose, 1.15 GPM equip Spray Valve, 6" Wall Bracket & 1/2" NPSM Male Inlet

equip
Foodservice
Accessories

2 Saddleback Cove, P.O. Box 1088
Travelers Rest, South Carolina 29690
Phone: 800.891.4808 Fax: 800.868.0084
equip.tsbrass.com

ITEM NO.	SALES NO.	DESCRIPTION
1	5SV	1.15 GPM equip Spray Valve
2	010476-45	#27 Washer
3	000907-45	Spray Valve Hold Down Ring
4	5HSE44	equip 44" Flexible Stainless Steel Hose
5	014068-45	Overhead Spring
6	000821-40	Spring Body
7	013716-40	6" Wall Bracket
8	004R	Finger Hook
9	000369-40	3/8" NPT x 18" Riser
10	5SP-18	equip 18" Swing Nozzle
11	5AFL18	Add-On Faucet w/ equip 18" Swing Nozzle
12	013787-45	equip Quarter-Turn Ceramic Cartridge, RTC
13	5-HDL-L	equip Lever Handle w/ Color Coded Screws
14	000999-45	Brass Lock Washer
15	002954-45	Shank Lock Nut
16	013849-45	Screw, 4mm Metric (10)



Model Number
5PR-1S18

Product Compliance:
ASME A112.18.1 / CSA B125.1
NSF 61 - Section 9
NSF 372 (Low Lead Content)
2019 DOE PRSV - Class II

Product Specifications:
PRU: Single Hole Deck Mount Faucet, Quarter-Turn Ceramic Cartridge, equip 18" Swing Nozzle, equip 44" Flexible Stainless Steel Hose, 1.15 GPM equip Spray Valve, 6" Wall Bracket & 1/2" NPSM Male Inlet

equip Foodservice Accessories



2 Saddleback Cove, P.O. Box 1088
Travelers Rest, South Carolina 29690
Phone: 800.891.4808 Fax: 800.868.0084
equip.tsbrass.com