

2 3/8"  
[60mm]

**5SP-14**  
equip 14" Swing  
Nozzle w/ Laminar  
Flow Device

equip 44" Flexible  
Stainless Steel Hose  
w/ Spring & Spray  
Valve



*This Space for Architect/Engineer Approval*

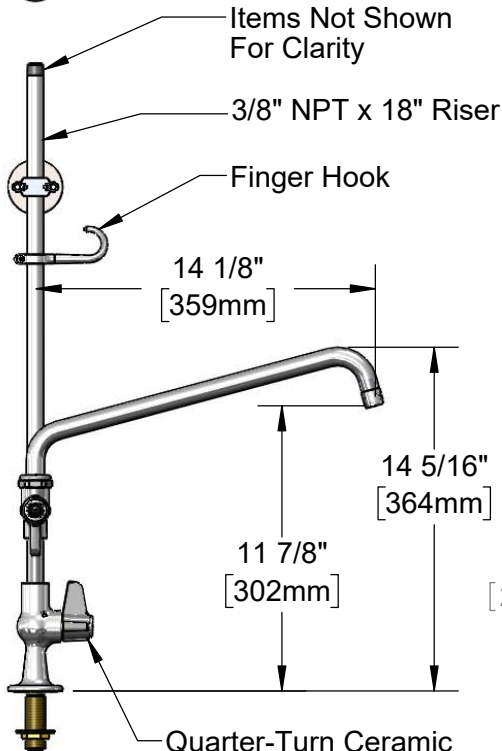
Job Name \_\_\_\_\_ Date \_\_\_\_\_

Model Specified \_\_\_\_\_ Quantity \_\_\_\_\_

Customer/Wholesaler \_\_\_\_\_

Contractor \_\_\_\_\_

Architect/Engineer \_\_\_\_\_



Items Not Shown  
For Clarity

3/8" NPT x 18" Riser

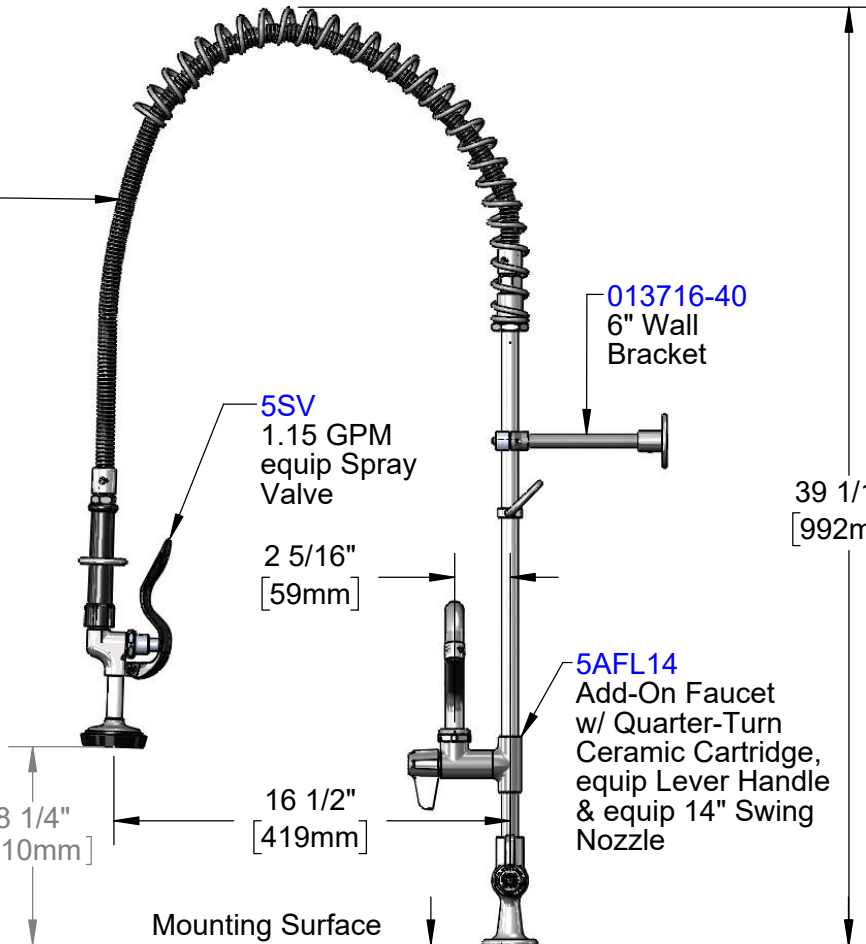
Finger Hook

14 1/8"  
[359mm]

14 5/16"  
[364mm]

11 7/8"  
[302mm]

Quarter-Turn Ceramic  
Cartridge & equip Lever  
Handle w/ Color Coded  
Screw



**5SV**  
1.15 GPM  
equip Spray  
Valve

2 5/16"  
[59mm]

16 1/2"  
[419mm]

Mounting Surface

**013716-40**  
6" Wall  
Bracket

39 1/16"  
[992mm]

1 5/8"  
[42mm]  
Maximum  
Thickness

**5AFL14**  
Add-On Faucet  
w/ Quarter-Turn  
Ceramic Cartridge,  
equip Lever Handle  
& equip 14" Swing  
Nozzle

2 1/2"  
[63mm]  
Ø 2 1/4" [57mm]  
Flange w/ 1/2" NPSM  
Male Inlet

Rough-In Requirement:  
Ø 1" [25mm] Mounting Hole

Model Number

**5PR-1S14**

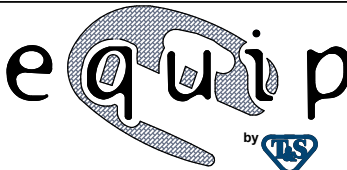
Product Compliance:

ASME A112.18.1 / CSA B125.1  
NSF 61 - Section 9  
NSF 372 (Low Lead Content)  
2019 DOE PRSV - Class II

Product Specifications:

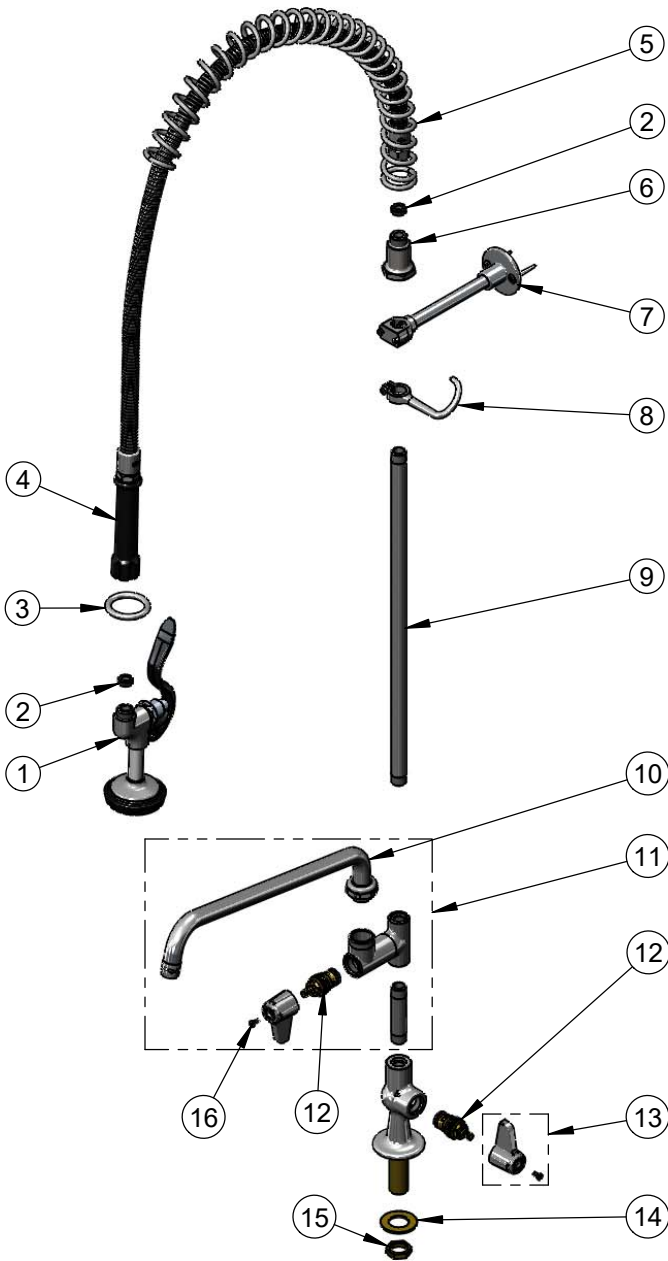
PRU: Single Hole Deck Mount Faucet, Quarter-Turn Ceramic Cartridge,  
equip 14" Swing Nozzle, equip 44" Flexible Stainless Steel Hose, 1.15 GPM  
equip Spray Valve, 6" Wall Bracket & 1/2" NPSM Male Inlet

equip  
Foodservice  
Accessories



2 Saddleback Cove, P.O. Box 1088  
Travelers Rest, South Carolina 29690  
Phone: 800.891.4808 Fax: 800.868.0084  
equip.tsbrass.com

ITEM NO.	SALES NO.	DESCRIPTION
1	5SV	1.15 GPM equip Spray Valve
2	010476-45	#27 Washer
3	000907-45	Spray Valve Hold Down Ring
4	5HSE44	equip 44" Flexible Stainless Steel Hose
5	014068-45	Overhead Spring
6	000821-40	Spring Body
7	013716-40	6" Wall Bracket
8	004R	Finger Hook
9	000369-40	3/8" NPT x 18" Riser
10	5SP-14	equip 14" Swing Nozzle
11	5AFL14	Add-On Faucet w/ equip 14" Swing Nozzle
12	013787-45	equip Quarter-Turn Ceramic Cartridge, RTC
13	5-HDL-L	equip Lever Handle w/ Color Coded Screws
14	000999-45	Brass Lock Washer
15	002954-45	Shank Lock Nut
16	013849-45	Screw, 4mm Metric (10)



Model Number

**5PR-1S14**

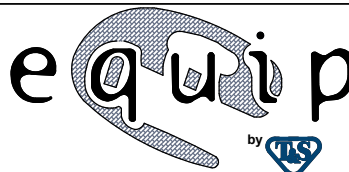
Product Specifications:

PRU: Single Hole Deck Mount Faucet, Quarter-Turn Ceramic Cartridge, equip 14" Swing Nozzle, equip 44" Flexible Stainless Steel Hose, 1.15 GPM equip Spray Valve, 6" Wall Bracket & 1/2" NPSM Male Inlet

Product Compliance:

ASME A112.18.1 / CSA B125.1  
NSF 61 - Section 9  
NSF 372 (Low Lead Content)  
2019 DOE PRSV - Class II

equip  
Foodservice  
Accessories



2 Saddleback Cove, P.O. Box 1088  
Travelers Rest, South Carolina 29690  
Phone: 800.891.4808 Fax: 800.868.0084  
equip.tsbrass.com