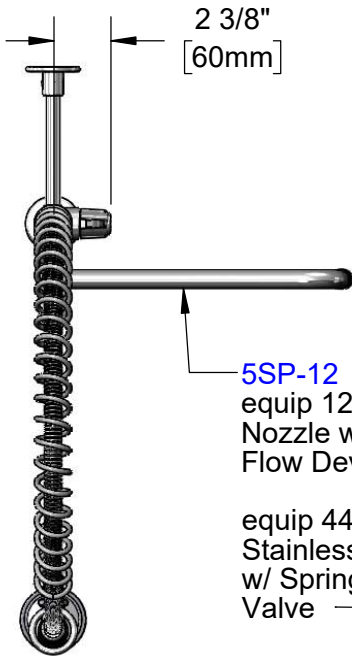


This Space for Architect/Engineer Approval

Job Name _____ Date _____
 Model Specified _____ Quantity _____
 Customer/Wholesaler _____
 Contractor _____
 Architect/Engineer _____



5SP-12
 equip 12" Swing
 Nozzle w/ Laminar
 Flow Device

equip 44" Flexible
 Stainless Steel Hose
 w/ Spring & Spray
 Valve



Items Not Shown
 For Clarity
 3/8" NPT x 18" Riser

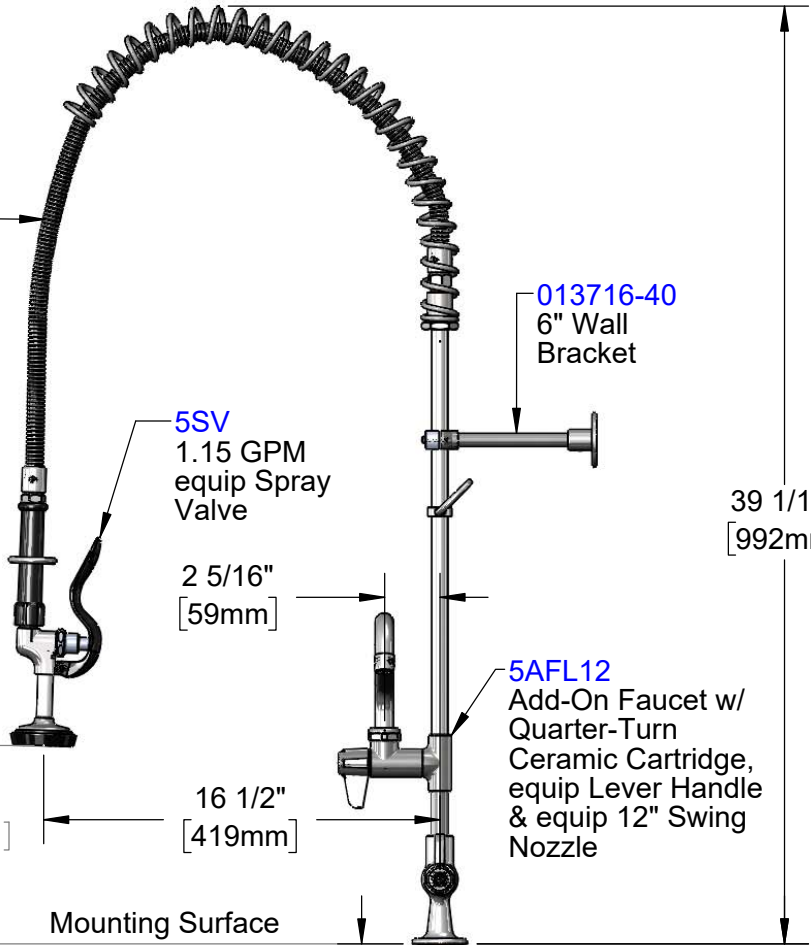
Finger Hook

12 1/8"
 [308mm]

13 13/16"
 [350mm]

11 3/8"
 [288mm]

Quarter-Turn Ceramic
 Cartridge & equip Lever
 Handle w/ Color Coded
 Screw



5SV
 1.15 GPM
 equip Spray
 Valve

2 5/16"
 [59mm]

8 1/4"
 [210mm]

16 1/2"
 [419mm]

Mounting Surface

013716-40
 6" Wall
 Bracket

39 1/16"
 [992mm]

5AFL12
 Add-On Faucet w/
 Quarter-Turn
 Ceramic Cartridge,
 equip Lever Handle
 & equip 12" Swing
 Nozzle

1 5/8"
 [42mm]
 Maximum
 Thickness

2 1/2"
 [63mm]

Ø 2 1/4" [57mm]
 Flange w/ 1/2" NPSM
 Male Inlet

Rough-In Requirement:
 Ø 1" [25mm] Mounting Hole

Model Number

5PR-1S12

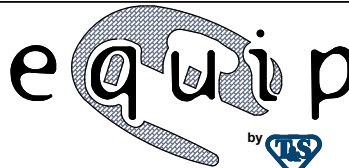
Product Specifications:

PRU: Single Hole Deck Mount Faucet, Quarter-Turn Ceramic Cartridge, equip 12" Swing Nozzle, equip 44" Flexible Stainless Steel Hose, 1.15 GPM equip Spray Valve, 6" Wall Bracket & 1/2" NPSM Male Inlet

Product Compliance:

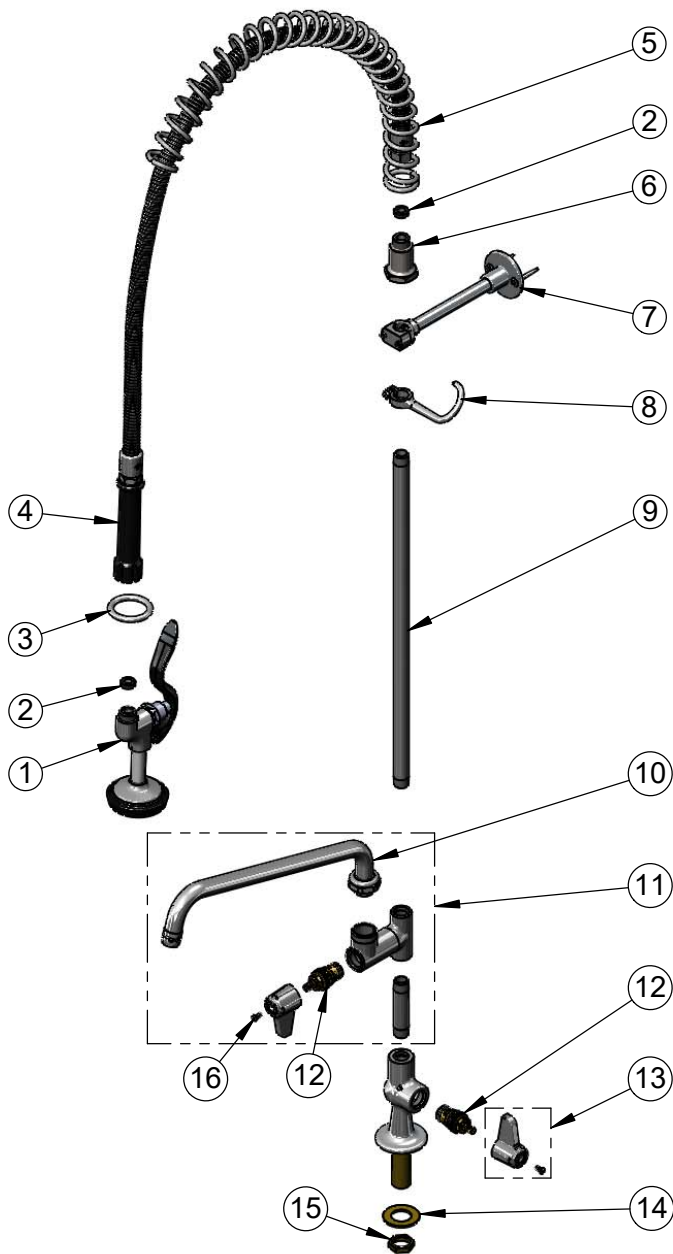
ASME A112.18.1 / CSA B125.1
 NSF 61 - Section 9
 NSF 372 (Low Lead Content)
 2019 DOE PRSV - Class II

equip
 Foodservice
 Accessories



2 Saddleback Cove, P.O. Box 1088
 Travelers Rest, South Carolina 29690
 Phone: 800.891.4808 Fax: 800.868.0084
 equip.tsbrass.com

ITEM NO.	SALES NO.	DESCRIPTION
1	5SV	1.15 GPM equip Spray Valve
2	010476-45	#27 Washer
3	000907-45	Spray Valve Hold Down Ring
4	5HSE44	equip 44" Flexible Stainless Steel Hose
5	014068-45	Overhead Spring
6	000821-40	Spring Body
7	013716-40	6" Wall Bracket
8	004R	Finger Hook
9	000369-40	3/8" NPT x 18" Riser
10	5SP-12	equip 12" Swing Nozzle
11	5AFL12	Add-On Faucet w/ equip 12" Swing Nozzle
12	013787-45	equip Quarter-Turn Ceramic Cartridge, RTC
13	5-HDL-L	equip Lever Handle w/ Color Coded Screws
14	000999-45	Brass Lock Washer
15	002954-45	Shank Lock Nut
16	013849-45	Screw, 4mm Metric (10)



Model Number

5PR-1S12

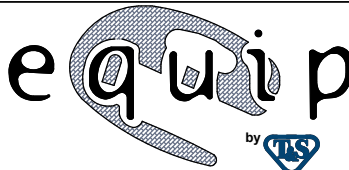
Product Specifications:

PRU: Single Hole Deck Mount Faucet, Quarter-Turn Ceramic Cartridge, equip 12" Swing Nozzle, equip 44" Flexible Stainless Steel Hose, 1.15 GPM equip Spray Valve, 6" Wall Bracket & 1/2" NPSM Male Inlet

Product Compliance:

ASME A112.18.1 / CSA B125.1
NSF 61 - Section 9
NSF 372 (Low Lead Content)
2019 DOE PRSV - Class II

equip
Foodservice
Accessories



2 Saddleback Cove, P.O. Box 1088
Travelers Rest, South Carolina 29690
Phone: 800.891.4808 Fax: 800.868.0084
equip.tsbrass.com