

*This Space for Architect/Engineer Approval*

Job Name \_\_\_\_\_ Date \_\_\_\_\_

Model Specified \_\_\_\_\_ Quantity \_\_\_\_\_

Customer/Wholesaler \_\_\_\_\_

Contractor \_\_\_\_\_

Architect/Engineer \_\_\_\_\_



2 3/8"  
[60mm]

equip 44" Flexible  
Stainless Steel Hose w/  
Spring & Spray Valve

Items Not Shown  
For Clarity

Finger Hook

3/8" NPT x 18" Riser

5SV  
1.15 GPM  
Spray Valve

Ceramic Cartridge &  
equip Lever Handle w/  
Color Coded Screw

Mounting Surface

Ø 2 1/4" [57mm]  
Flange w/  
1/2" NPSM  
Male Inlet

2 1/2"  
[63mm]

4"  
[102mm]

16 1/2"  
[419mm]

1 5/8"  
[42mm]  
Maximum  
Thickness

013716-40  
6" Wall  
Bracket

34 13/16"  
[885mm]

Rough-In Requirement:  
Ø 1" [25mm] Mounting Hole

Model Number

**5PR-1S00**

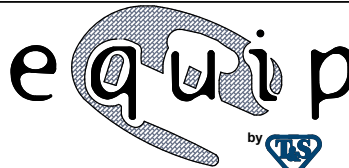
Product Specifications:

Pre-Rinse Unit: Single Hole Deck Mount Faucet, Ceramic Cartridge, 44" Flexible Stainless Steel Hose, 1.15 GPM equip Spray Valve, 6" Wall Bracket & 1/2" NPSM Male Inlet

Product Compliance:

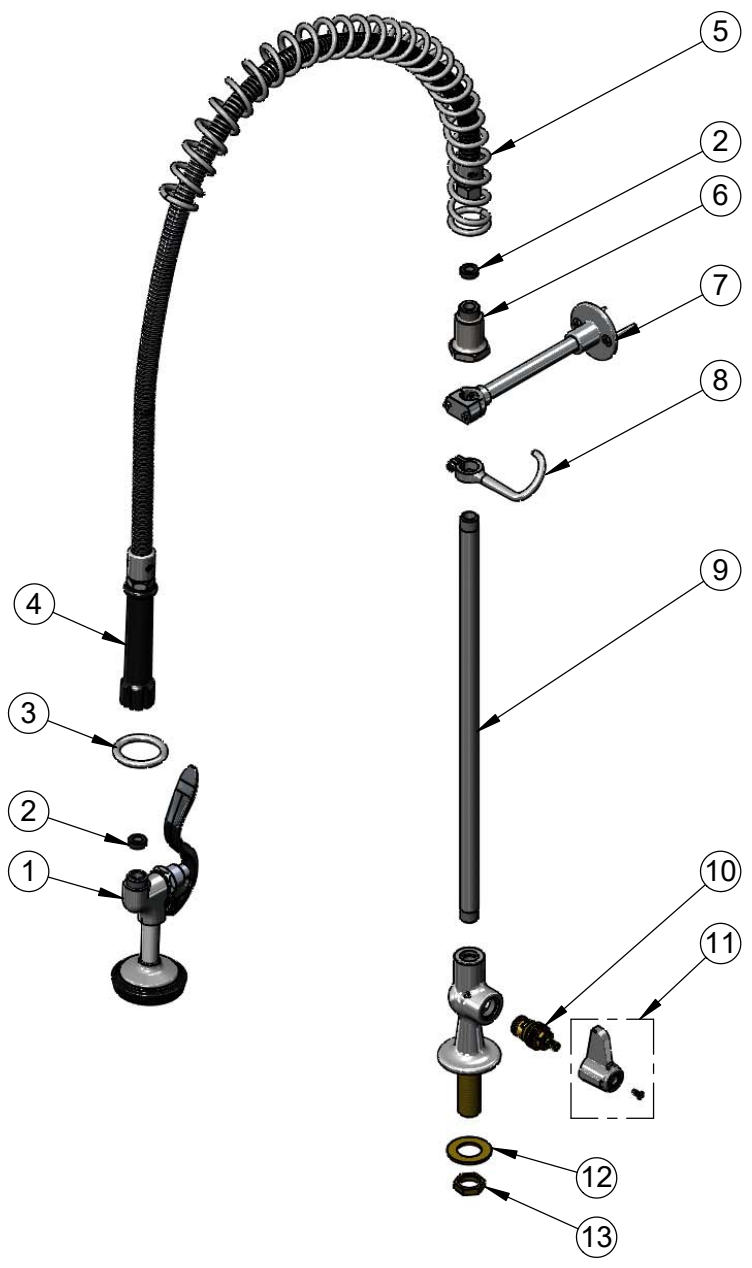
ASME A112.18.1 / CSA B125.1  
NSF 61 - Section 9  
NSF 372 (Low Lead Content)  
2019 DOE PRSV - Class II

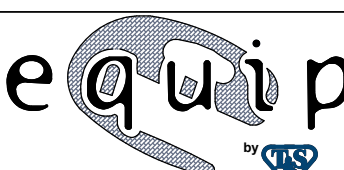
equip  
Foodservice  
Accessories



2 Saddleback Cove, P.O. Box 1088  
Travelers Rest, South Carolina 29690  
Phone: 800.891.4808 Fax: 800.868.0084  
equip.tsbrass.com

| ITEM NO. | SALES NO. | DESCRIPTION                              |
|----------|-----------|--|
| 1        | 5SV       | equip 1.15 GPM Spray Valve               |
| 2        | 010476-45 | #27 Washer                               |
| 3        | 000907-45 | Spray Valve Hold Down Ring               |
| 4        | 5HSE44    | equip 44" Flexible Stainless Steel Hose  |
| 5        | 014068-45 | Overhead Spring                          |
| 6        | 000821-40 | Spring Body                              |
| 7        | 013716-40 | 6" Wall Bracket                          |
| 8        | 004R      | Finger Hook                              |
| 9        | 000369-40 | 3/8" NPT x 18" Riser                     |
| 10       | 013787-45 | equip Ceramic Cartridge, RTC             |
| 11       | 5-HDL-L   | equip Lever Handle w/ Color Coded Screws |
| 12       | 000999-45 | Brass Lock Washer                        |
| 13       | 002954-45 | Shank Lock Nut                           |



|  |               |   |  |
|--|---------------|---|--|
| Model Number<br><b>5PR-1S00</b>  |               | Product Specifications:<br>Pre-Rinse Unit: Single Hole Deck Mount Faucet, Ceramic Cartridge, 44" Flexible Stainless Steel Hose, 1.15 GPM equip Spray Valve, 6" Wall Bracket & 1/2 NPSM Male Inlet |  |
| Product Compliance:<br>ASME A112.18.1 / CSA B125.1<br>NSF 61 - Section 9<br>NSF 372 (Low Lead Content)<br>2019 DOE PRSV - Class II |               |   |  |
| Drawn: AMG   | Checked: JRM  | Approved: JHB   | Date: 10/15/18   |
| Scale: NTS   | Sheet: 2 of 2 |   | 2 Saddleback Cove, P.O. Box 1088<br>Travelers Rest, South Carolina 29690<br>Phone: 800.891.4808 Fax: 800.868.0084<br>equip.tsbrass.com |