
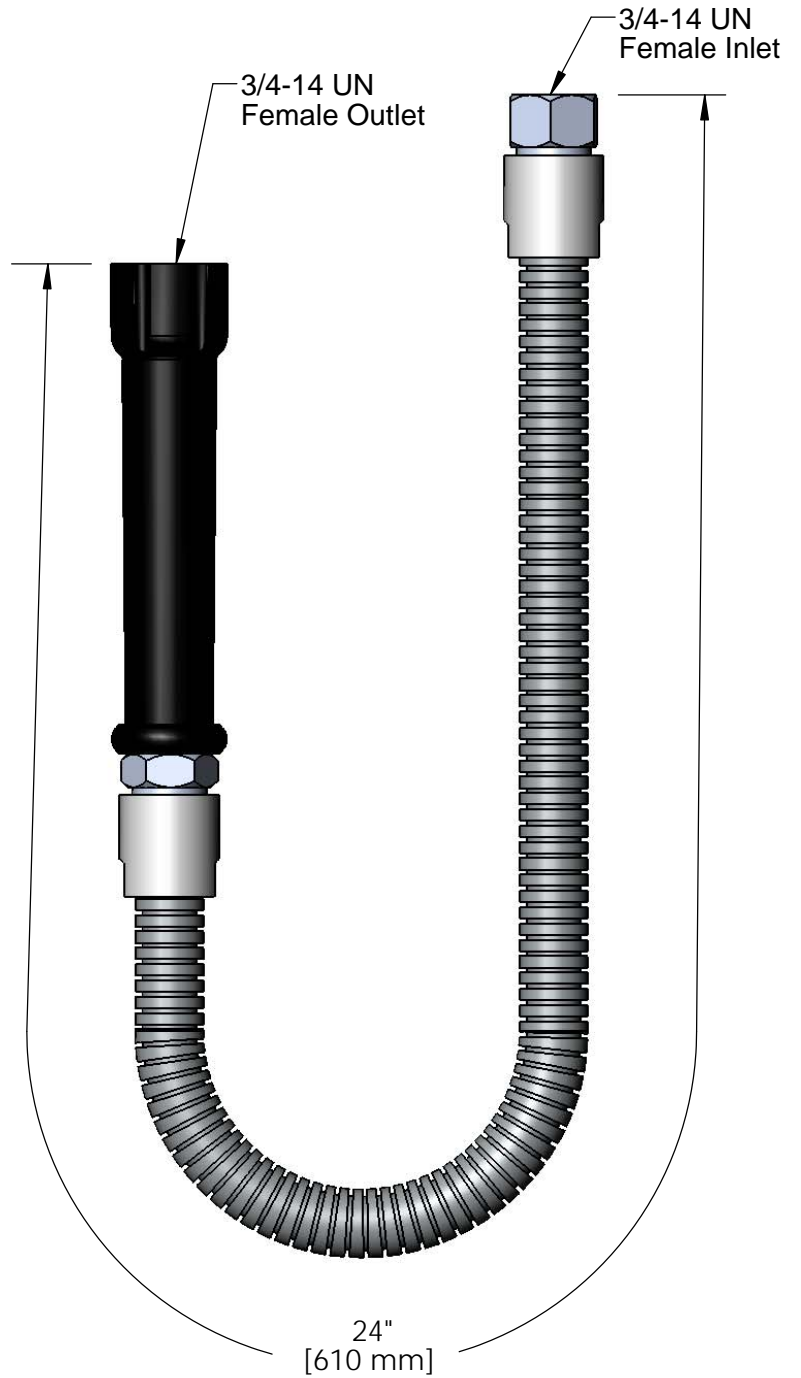


This Space for Architect/Engineer Approval

Job Name \_\_\_\_\_ Date \_\_\_\_\_  
Model Specified \_\_\_\_\_ Quantity \_\_\_\_\_  
Customer/Wholesaler \_\_\_\_\_  
Contractor \_\_\_\_\_  
Architect/Engineer \_\_\_\_\_

  
(2) 010476-45  
Washers Furnished  
w/ Hose



Model Number

**5HSE24**

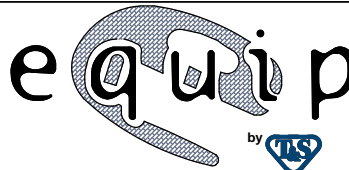
Product Specifications:

24" Flexible Stainless Steel Hose w/  
Black Handle & Polyurethane Inner Hose

Product Compliance:

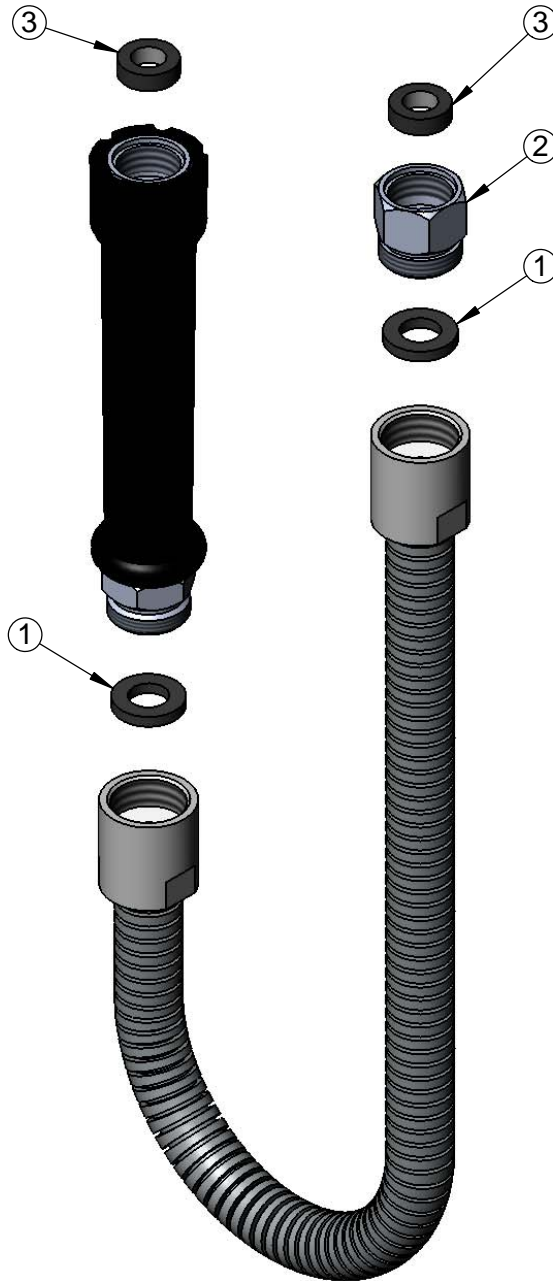
ASME A112.18.1 / CSA B125.1  
NSF 61 - Section 9  
NSF 372 (Low Lead Content)

equip  
Foodservice  
Accessories



2 Saddleback Cove, P.O. Box 1088  
Travelers Rest, South Carolina 29690  
Phone: 800.891.4808 Fax: 800.868.0084  
equip.tsbrass.com

ITEM NO.	SALES NO.	DESCRIPTION
1	001014-45	Washer, B-0100 Hose Barrel
2	000729-40	Nut, 7/8"-20 Male x 3/4"-14 Female
3	010476-45	#27 Washer



Model Number

**5HSE24**

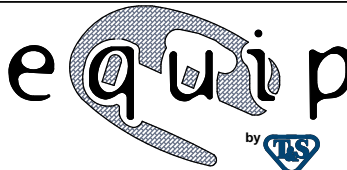
Product Specifications:

24" Flexible Stainless Steel Hose w/  
Black Handle & Polyurethane Inner Hose

Product Compliance:

ASME A112.18.1 / CSA B125.1  
NSF 61 - Section 9  
NSF 372 (Low Lead Content)

equip  
Foodservice  
Accessories



2 Saddleback Cove, P.O. Box 1088  
Travelers Rest, South Carolina 29690  
Phone: 800.891.4808 Fax: 800.868.0084  
equip.tsbrass.com

Drawn: KJG

Checked: JRM

Approved: JHB

Date: 11/03/15

Scale: NTS

Sheet: 2 of 2