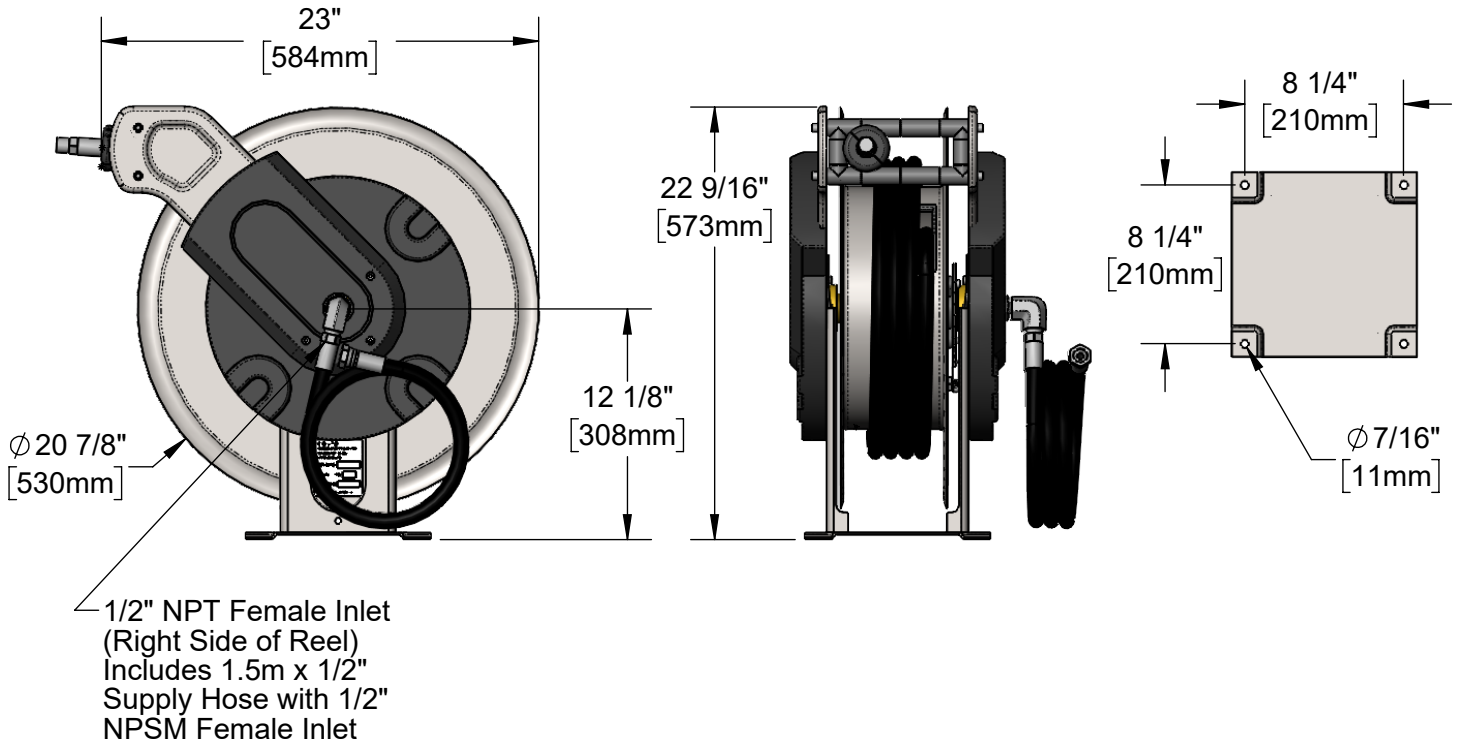
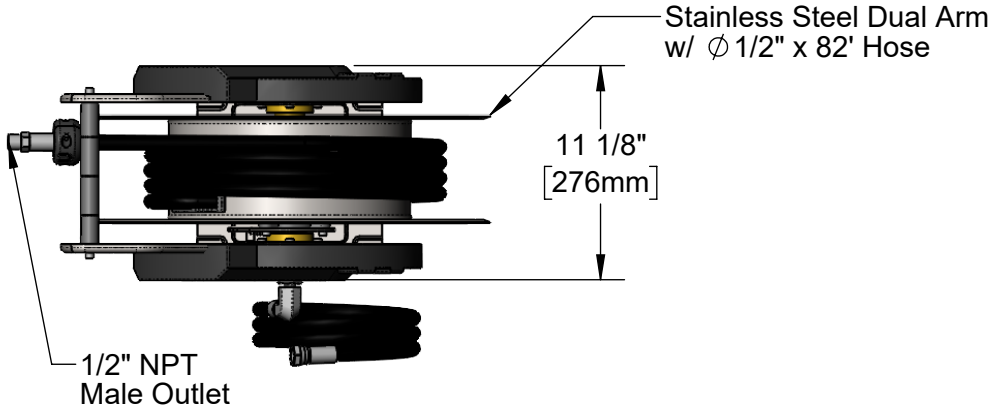
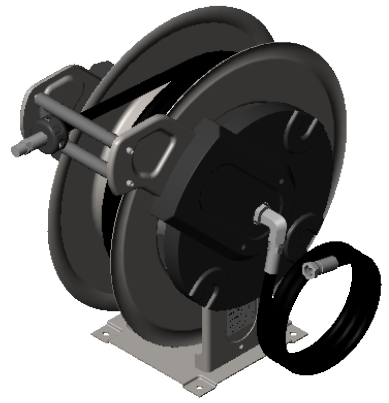


This Space for Architect/Engineer Approval

Job Name _____ Date _____
 Model Specified _____ Quantity _____
 Customer/Wholesaler _____
 Contractor _____
 Architect/Engineer _____



Model Number

5HR-361

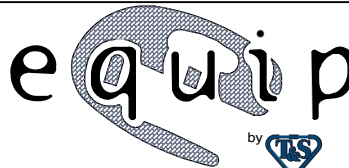
Product Specifications:

**Stainless Steel, Open, Dual Arm Hose Reel
w/ ϕ 1/2" x 82' Hose, Less Spray Valve**

Product Compliance:

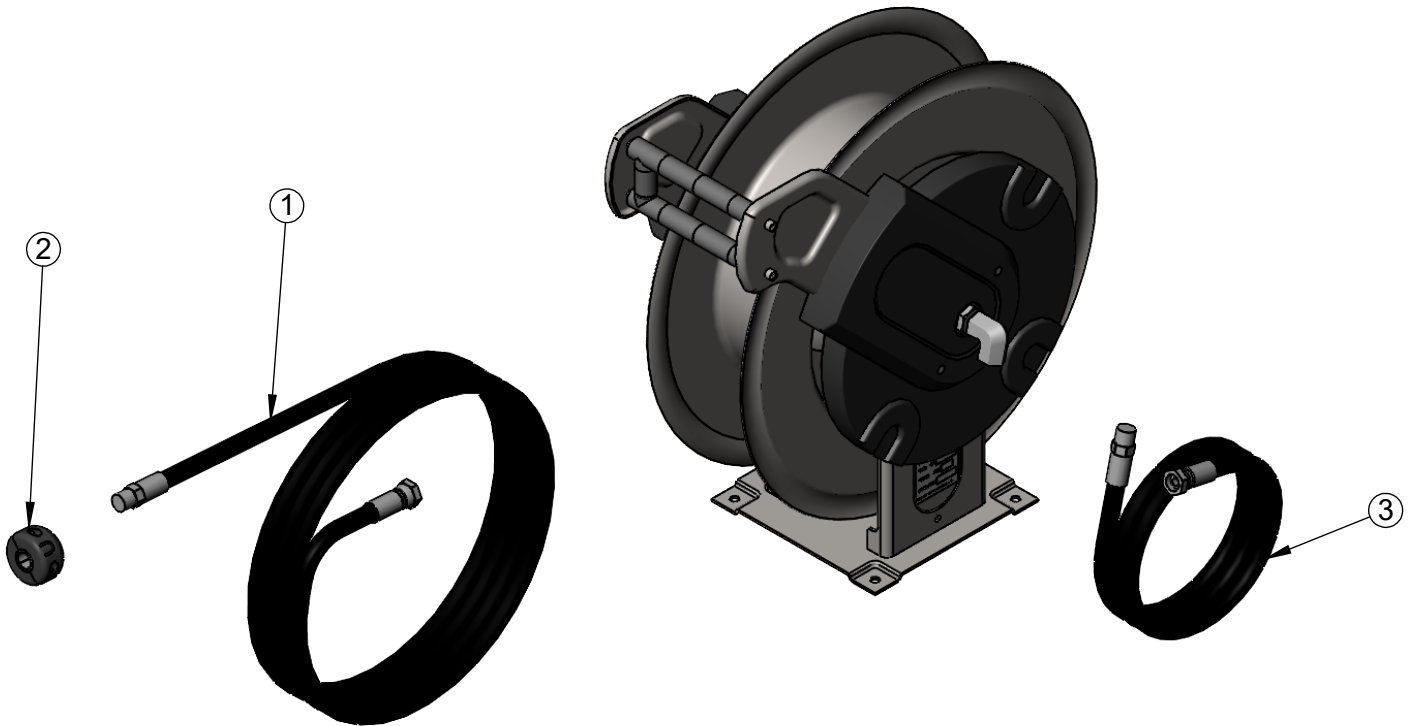
NSF 61 Exempt (Non-Potable)

equip
Foodservice
Accessories



2 Saddleback Cove, P.O. Box 1088
 Travelers Rest, South Carolina 29690
 Phone: 800.891.4808 Fax: 800.868.0084
 equip.tsbrass.com

ITEM NO.	SALES NO.	DESCRIPTION
1	5HR-3HSE-82	Ø 1/2" x 82' Hose
2	014950-45	Hose Stop Repair Kit
3	021133-45	1.5m x 1/2" Supply Hose



Model Number

5HR-361

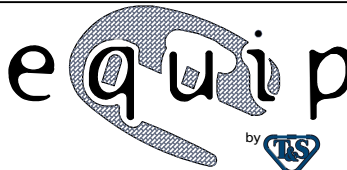
Product Specifications:

**Stainless Steel, Open, Dual Arm Hose Reel
w/ Ø1/2" x 82' Hose, Less Spray Valve**

Product Compliance:

NSF 61 Exempt (Non-Potable)

equip
Foodservice
Accessories



2 Saddleback Cove, P.O. Box 1088
Travelers Rest, South Carolina 29690
Phone: 800.891.4808 Fax: 800.868.0084
equip.tsbrass.com