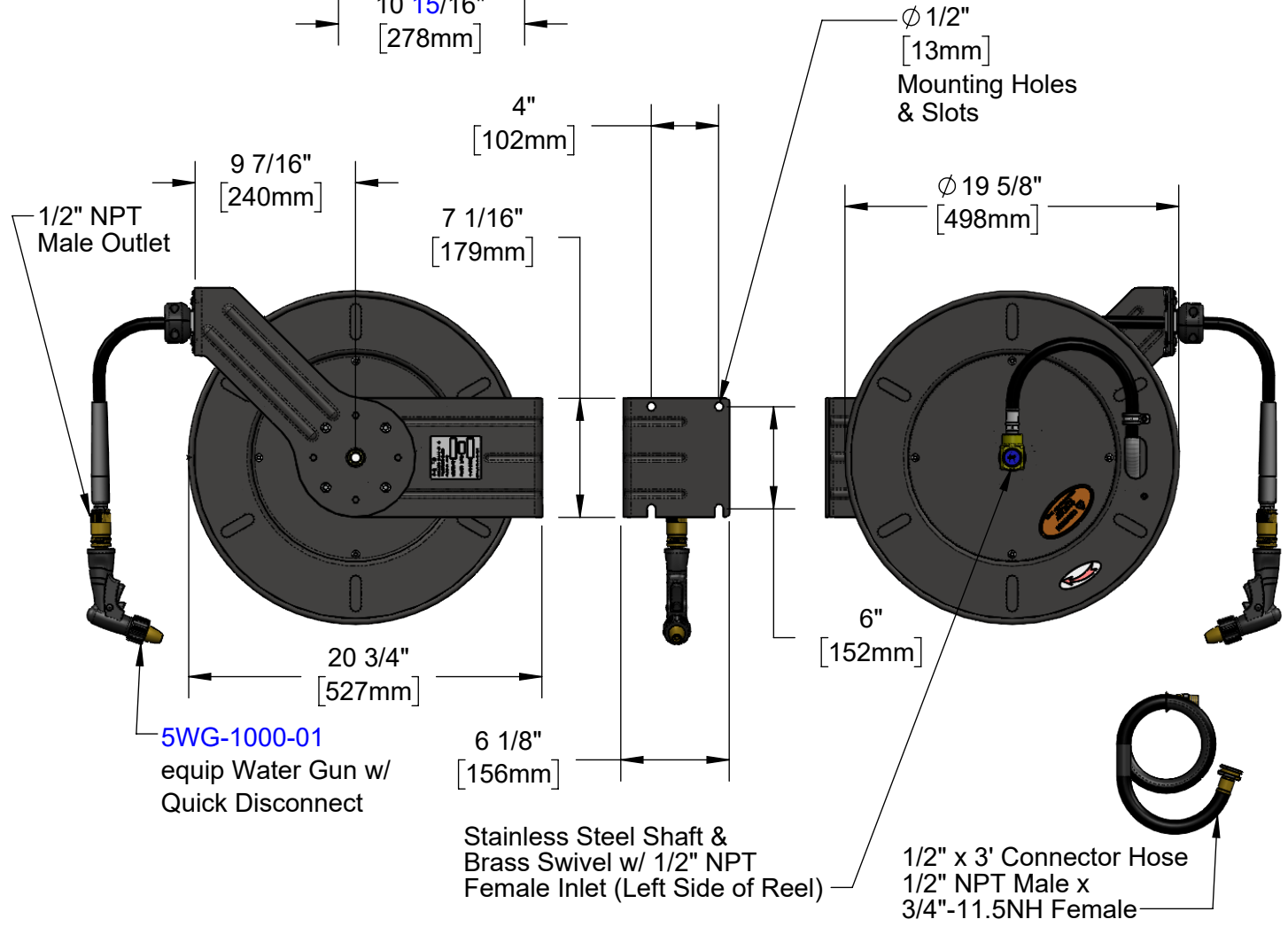
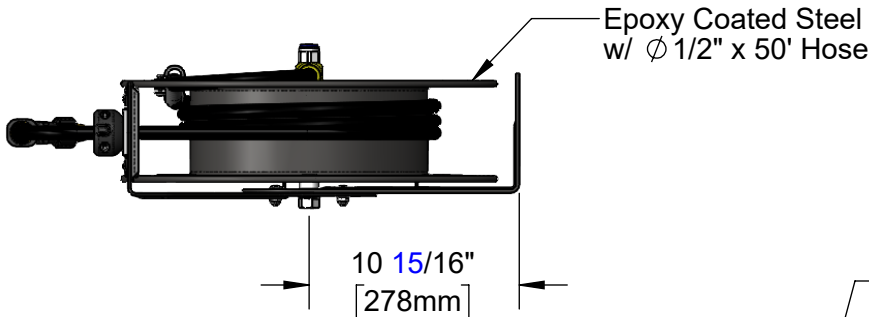


This Space for Architect/Engineer Approval

Job Name _____ Date _____
 Model Specified _____ Quantity _____
 Customer/Wholesaler _____
 Contractor _____
 Architect/Engineer _____



Model Number
5HR-342-09-GH

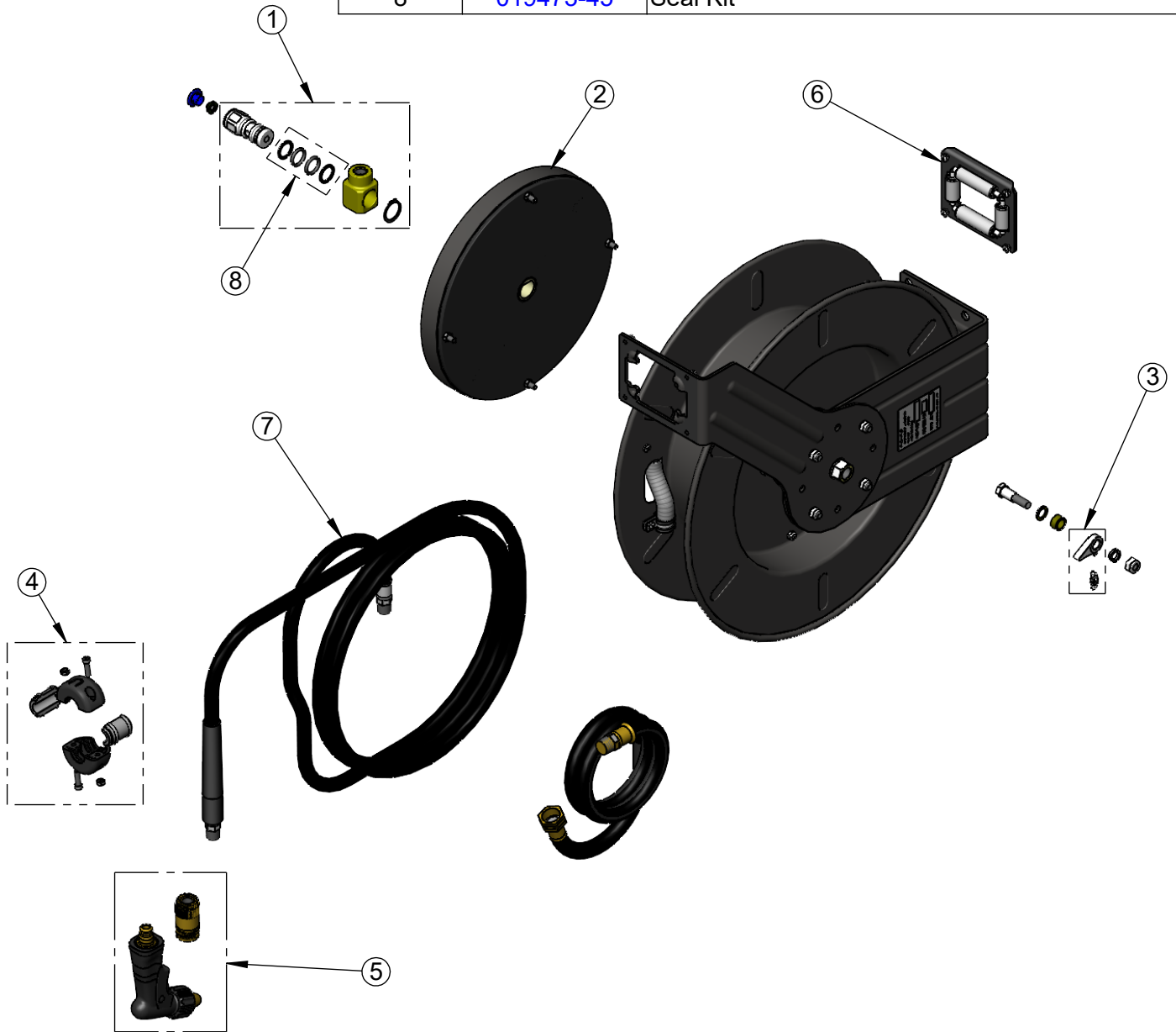
Product Specifications:
 Epoxy Coated Steel, Open Hose Reel
 w/ \varnothing 1/2" x 50' Hose, 3' Black Connector Hose,
 Garden Hose Inlet & equip Water Gun w/
 Quick Disconnect

Product Compliance:
 NSF 61 Exempt (Non-Potable)
 EPAAct 2005 Non-Compliant (PRSV)

equip
Foodservice
Accessories

2 Saddleback Cove, P.O. Box 1088
 Travelers Rest, South Carolina 29690
 Phone: 800.891.4808 Fax: 800.868.0084
 equip.tsbrass.com

ITEM NO.	SALES NO.	DESCRIPTION
1	G016629-45	Complete 1/2" Swivel
2	G016684-45	Spring
3	014940-45	Ratchet Repair Kit
4	014950-45	1/2" Hose Stop Repair Kit
5	5WG-1000-01	equip Water Gun w/ Quick Disconnect
6	G016635-45	Roller Kit
7	5HR-3HSE-50	Ø 1/2" x 50' Hose
8	019473-45	Seal Kit



Model Number

5HR-342-09-GH

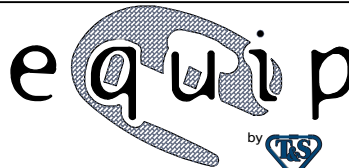
Product Specifications:

Epoxy Coated Steel, Open Hose Reel
w/ Ø1/2" x 50' Hose, 3' Black Connector Hose,
Garden Hose Inlet & equip Water Gun w/
Quick Disconnect

Product Compliance:

NSF 61 Exempt (Non-Potable)
EPAAct 2005 Non-Compliant (PRSV)

equip
Foodservice
Accessories



2 Saddleback Cove, P.O. Box 1088
Travelers Rest, South Carolina 29690
Phone: 800.891.4808 Fax: 800.868.0084
equip.tsbrass.com