

*This Space for Architect/Engineer Approval*

Job Name \_\_\_\_\_ Date \_\_\_\_\_  
 Model Specified \_\_\_\_\_ Quantity \_\_\_\_\_  
 Customer/Wholesaler \_\_\_\_\_  
 Contractor \_\_\_\_\_  
 Architect/Engineer \_\_\_\_\_

Universal EasyInstall  
 Stainless Steel Wall Mount  
 Swing Bracket w/ 100° Rotation

**B-0963**  
 Continuous Pressure  
 Vacuum Breaker w/  
 Integral Check Valve

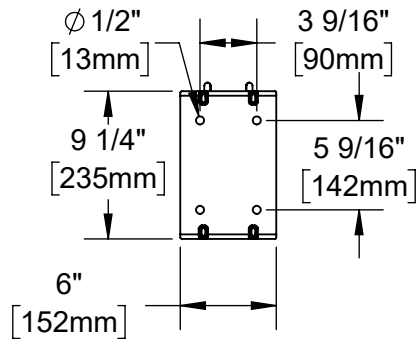
Stainless Steel  
 Quick Disconnect  
 3/8" NPT x 36"  
 Flexible Water  
 Connector

3/8" NPT x 40"  
 Riser  
 (2) **013716-40**  
 Wall Brackets

Single Supply  
 Wall Mount Faucet,  
 Quarter-Turn  
 Ceramic Cartridge  
 & equip Lever Handle

Black Powder Coated Hose Reel  
 w/ 50' of  $\phi$  3/8" Hose

**5SV-WH**  
 High Flow  
 Spray Valve



1 7/8"  
 [48mm]

$\phi$  1 15/16"  
 [50mm]

45 1/4"  
 [1149mm]

1 5/8"  
 [41mm]

Rough-In Requirement:  
 $\phi$  1" [25mm] Mounting Hole

Model Number

**5HR-242-01WE2**

Product Compliance:

NSF 61 Exempt (Non-Potable)  
 2019 DOE PRSV Non-Compliant  
 ASSE 1056 (VB)

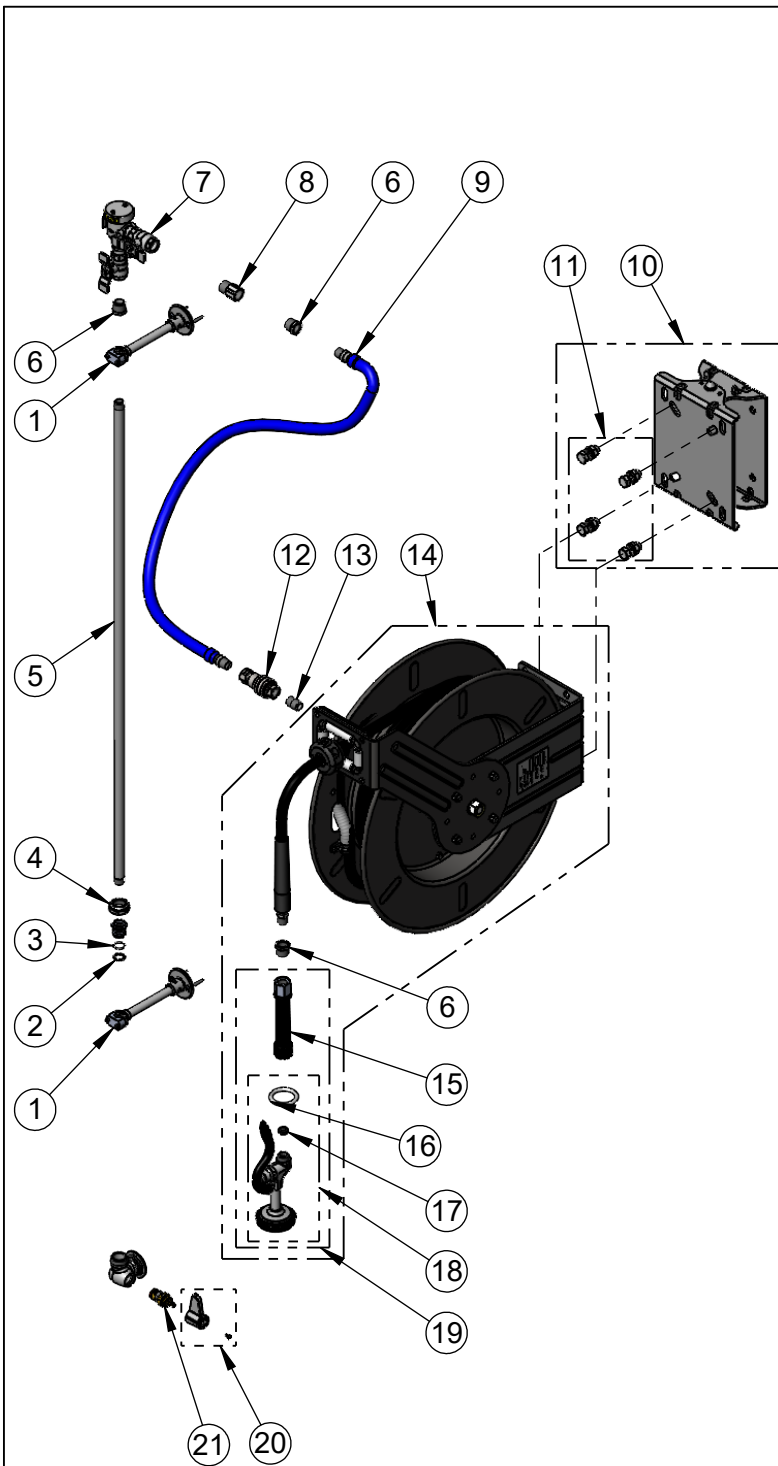
Product Specifications:

Open Epoxy Coated Steel Hose Reel w/ 50' of 3/8" Hose,  
 High Flow Spray Valve, Vacuum Breaker, 3/8" NPT Flexible  
 Water Hose, Single Supply Wall Mount Faucet,  
 1/2" NPT Female Inlet, (2) Wall Brackets, & Universal Swing Bracket

equip  
 Foodservice  
 Accessories



2 Saddleback Cove, P.O. Box 1088  
 Travelers Rest, South Carolina 29690  
 Phone: 800.891.4808 Fax: 800.868.0084  
 equip.tsbrass.com



ITEM NO.	SALES NO.	DESCRIPTION
1	013716-40	6" Wall Bracket
2	014200-45	Star Washer, Anti-Rotation
3	001065-45	O-Ring
4	013839-25	equip Swivel Nut
5	002558-40	3/8" NPT x 40" Riser
6	001359-40	Hex Bushing, 1/2" NPT Male x 3/8" NPT Female
7	B-0963	Continuous Pressure VB w/ Integral Check Valve
8	015073-40	Check Valve w/ 1/2" NPT Adapter
9	HW-2B-36	3/8" NPT x 36" Flexible Water Hose
10	G019430-45	Universal EasyInstall Stainless Steel Swing Bracket
11	019191-45K	Hose Reel Bracket Mounting Kit
12	AW-5B	3/8" NPT Quick Disconnect
13	002535-25	3/8" Close Nipple
14	5HR-242-01	50' of 3/8" equip Open Coated Hose Reel
15	5HR-HDL	Hose Reel Grip Handle
16	000907-45	Spray Valve Hold Down Ring
17	010476-45	#27 Washer
18	5SV-H	High Flow Spray Valve
19	5SV-WH	High Flow Spray Valve, Handle, & Ring
20	5-HDL-L	equip Lever Handle w/ Color Coded Screws
21	013787-45	equip Ceramic Cartridge, RTC

Model Number

**5HR-242-01WE2**

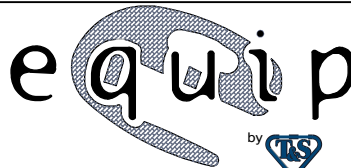
Product Compliance:

NSF 61 Exempt (Non-Potable)  
2019 DOE PRSV Non-Compliant  
ASSE 1056 (VB)

Product Specifications:

Open Epoxy Coated Steel Hose Reel w/ 50' of 3/8" Hose,  
High Flow Spray Valve, Vacuum Breaker, 3/8" NPT Flexible  
Water Hose, Single Supply Wall Mount Faucet,  
1/2" NPT Female Inlet, (2) Wall Brackets, & Universal Swing Bracket

equip  
Foodservice  
Accessories



2 Saddleback Cove, P.O. Box 1088  
Travelers Rest, South Carolina 29690  
Phone: 800.891.4808 Fax: 800.868.0084  
equip.tsbrass.com

Drawn: JDR

Checked: JRM

Approved: JHB

Date: 02/01/24

Scale: NTS

Sheet: 2 of 2