

Universal EasyInstall
Stainless Steel Wall Mount
Swing Bracket w/ 100° Rotation

B-0963
Continuous Pressure
Vacuum Breaker w/
Integral Check Valve

Stainless Steel
Quick Disconnect

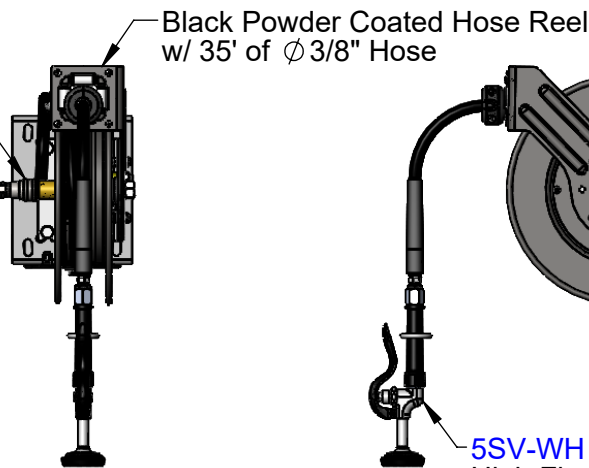
3/8" NPT x 36"
Flexible Water
Connector

3/8" NPT x 40"
Riser

(2) **013716-40**
Wall Brackets

2 3/4"
[70mm]
Ø 2" [51mm]
Flanges w/
1/2" NPT
Female Inlets
& In-Line
Check Valves

Adjustable From
7 3/4" to 8 1/4"
[197mm to 210mm]

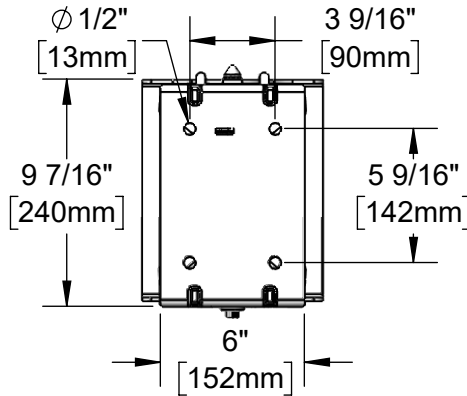


Black Powder Coated Hose Reel
w/ 35' of \varnothing 3/8" Hose

5SV-WH
High Flow
Spray Valve

8" Wall Mount
Mixing Faucet,
Quarter-Turn
Ceramic Cartridges
& equip Lever Handles
w/ Color Coded
Indexes

Mounting Details



This Space for Architect/Engineer Approval

Job Name _____ Date _____

Model Specified _____ Quantity _____

Customer/Wholesaler _____

Contractor _____

Architect/Engineer _____

Model Number
5HR-232-01WE1

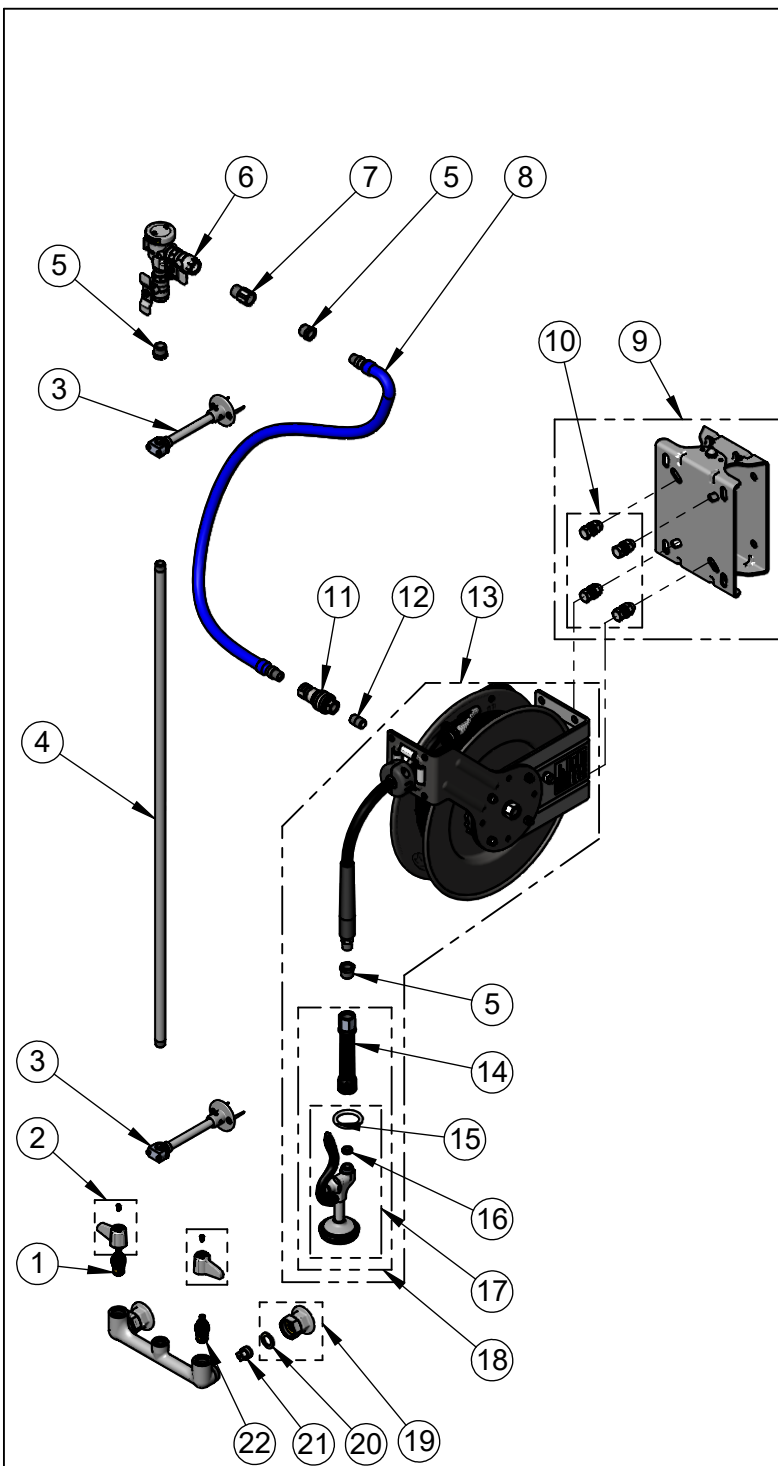
Product Compliance:
NSF 61 Exempt (Non-Potable)
2019 DOE PRSV Non-Compliant
ASSE 1056 (VB)

Product Specifications:
Open Epoxy Coated Steel Hose Reel w/ 35' of 3/8" Hose,
High Flow Spray Valve, Vacuum Breaker, 3/8" NPT Flexible
Water Hose, 8" Wall Mount Mixing Faucet w/ In-Line Check Valves,
1/2" NPT Female Inlets, (2) Wall Brackets, & Universal Swing Bracket

equip
Foodservice
Accessories

by

2 Saddleback Cove, P.O. Box 1088
Travelers Rest, South Carolina 29690
Phone: 800.891.4808 Fax: 800.868.0084
equip.tsbrass.com



ITEM NO.	SALES NO.	DESCRIPTION
1	013787-45	equip Ceramic Cartridge, RTC
2	5-HDL-L	equip Lever Handle w/ Color Coded Screws
3	013716-40	6" Wall Bracket
4	002558-40	3/8" NPT x 40" Riser
5	001359-40	Hex Bushing, 1/2" NPT Male x 3/8" NPT Female
6	B-0963	Continuous Pressure VB w/ Integral Check Valve
7	015073-40	Check Valve w/ 1/2" NPT Adapter
8	HW-2B-36	3/8" NPT x 36" Flexible Water Hose
9	G019430-45	Universal EasyInstall Stainless Steel Swing Bracket
10	019191-45K	Hose Reel Bracket Mounting Kit
11	AW-5B	3/8" NPT Quick Disconnect
12	002535-25	3/8" Close Nipple
13	5HR-232-01	35' of 3/8" equip Open Coated Hose Reel
14	5HR-HDL	Hose Reel Grip Handle
15	000907-45	Spray Valve Hold Down Ring
16	010476-45	#27 Washer
17	5SV-H	High Flow Spray Valve
18	5SV-WH	High Flow Spray Valve, Handle, & Ring
19	00AA	1/2" NPT Female Inlet Flange
20	001019-45	Coupling Nut Washer
21	013840-45	20mm Check Valve
22	013788-45	equip Ceramic Cartridge, LTC

Model Number
5HR-232-01WE1

Product Compliance:
NSF 61 Exempt (Non-Potable)
2019 DOE PRSV Non-Compliant
ASSE 1056 (VB)

Product Specifications:
Open Epoxy Coated Steel Hose Reel w/ 35' of 3/8" Hose,
High Flow Spray Valve, Vacuum Breaker, 3/8" NPT Flexible
Water Hose, 8" Wall Mount Mixing Faucet w/ In-Line Check Valves,
1/2" NPT Female Inlets, (2) Wall Brackets, & Universal Swing Bracket

equip
Foodservice
Accessories



2 Saddleback Cove, P.O. Box 1088
Travelers Rest, South Carolina 29690
Phone: 800.891.4808 Fax: 800.868.0084
equip.tsbrass.com