



ADA Compliant



Volume Control Adjustable w/ Screwdriver

*This Space for Architect/Engineer Approval*

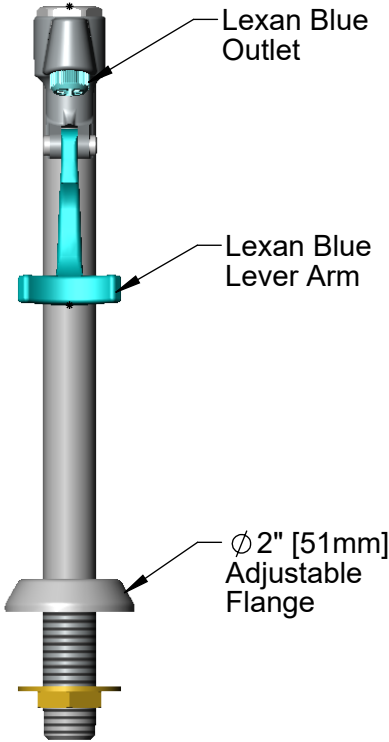
Job Name \_\_\_\_\_ Date \_\_\_\_\_

Model Specified \_\_\_\_\_ Quantity \_\_\_\_\_

Customer/Wholesaler \_\_\_\_\_

Contractor \_\_\_\_\_

Architect/Engineer \_\_\_\_\_

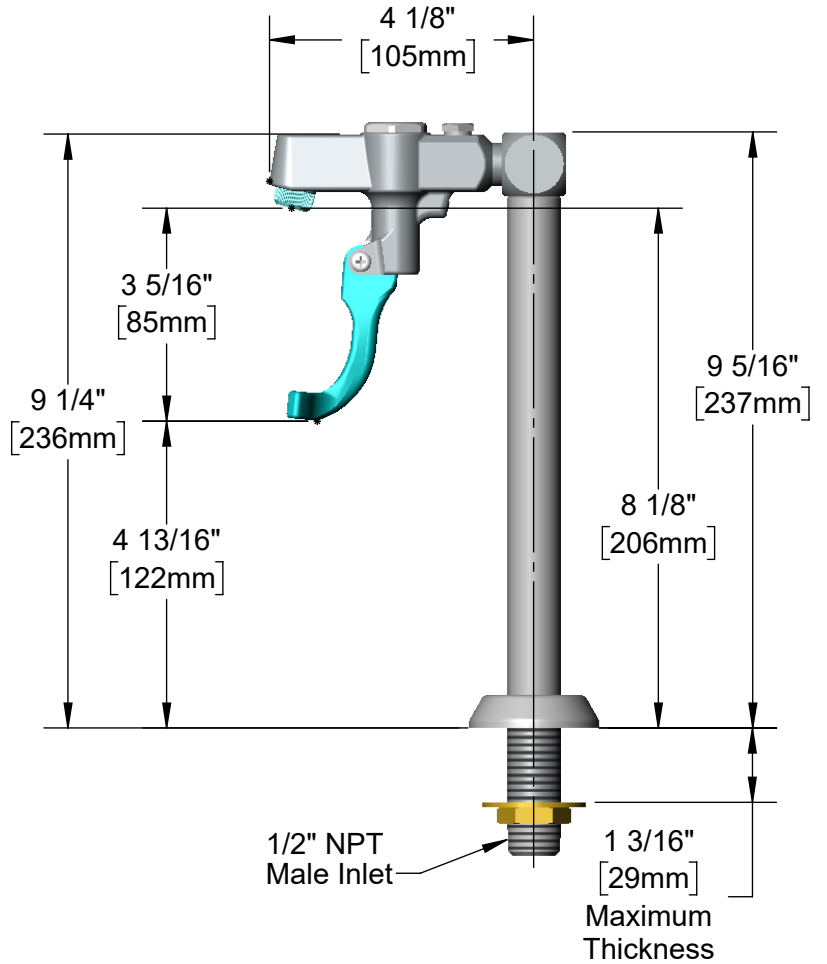


Lexan Blue Outlet

Lexan Blue Lever Arm

Ø 2" [51mm] Adjustable Flange

Rough-In Requirement:  
Ø 1" [25mm] Hole



Model Number  
**5GF-8P**

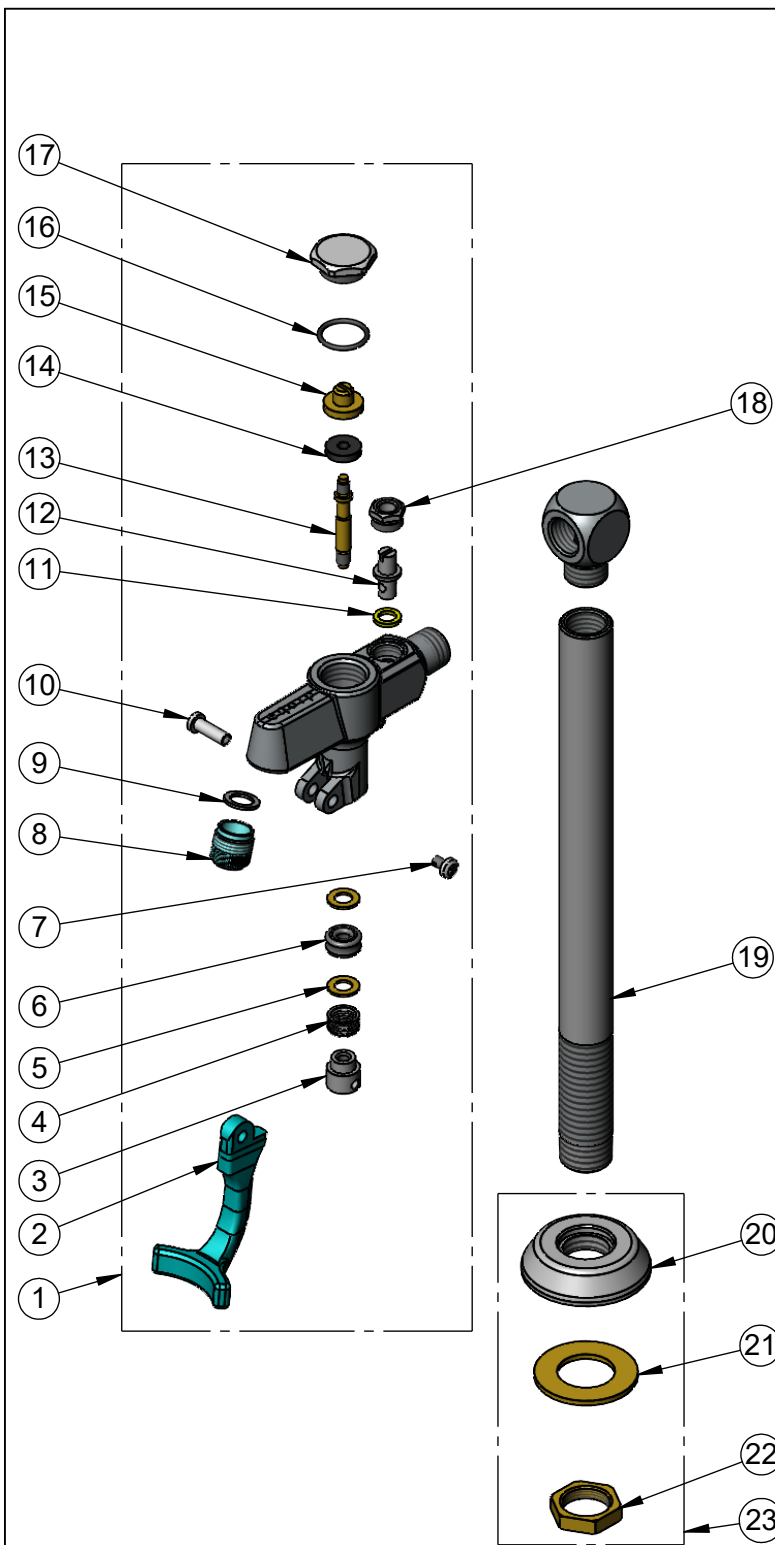
Product Compliance:  
ASME A112.18.1 / CSA B125.1  
NSF 61 - Section 9  
NSF 372 (Low Lead Content)  
ANSI A117.1 (ADA)

Product Specifications:  
**Pedestal Type Glass Filler, Push Back Design, 1/2" NPT Male Shank, Adjustable Flange & Blue Self-Closing Lexan Arm**

equip Foodservice Accessories



2 Saddleback Cove, P.O. Box 1088  
Travelers Rest, South Carolina 29690  
Phone: 800.891.4808 Fax: 800.868.0084  
equip.tsbrass.com



ITEM NO.	SALES NO.	DESCRIPTION
1	5GF-W	Wall Mount, 3/8" Male NPT Retro Glass Filler
2	001145-45	Lever Arm, Retro Glass Filler
3	000752-25	Push Button, Retro Glass Filler
4	000895-45	Spring
5	000974-45	Bonnet Washer
6	001100-45	Packing Seal
7	003199-45	Spray Valve Handle Screw
8	003090-45	Outlet Tip, Retro Glass Filler
9	001030-45	Washer, Retro Glass Filler Outlet
10	003198-45	Spray Valve Handle Nut
11	001031-45	Washer, Volume Control
12	000834-25	Stem, Retro Glass Filler Volume Control
13	000826-20	Stem
14	001094-45	Seat Washer
15	000664-20	Seat Washer Holder
16	001062-45	O-Ring
17	000623-40	Hex Cap
18	000714-25	Nut, Retro Glass Filler Volume Control
19	000425-40	Pedestal
20	000024-40	Glass Filler Flange
21	000999-45	Brass Lock Washer
22	002954-45	Shank Lock Nut
23	016783-40	Adjustable Deck Flange Repair Kit

Model Number  
**5GF-8P**

Product Compliance:  
ASME A112.18.1 / CSA B125.1  
NSF 61 - Section 9  
NSF 372 (Low Lead Content)  
ANSI A117.1 (ADA)

Product Specifications:  
**Pedestal Type Glass Filler, Push Back Design, 1/2" NPT Male Shank, Adjustable Flange & Blue Self-Closing Lexan Arm**

equip  
Foodservice  
Accessories



2 Saddleback Cove, P.O. Box 1088  
Travelers Rest, South Carolina 29690  
Phone: 800.891.4808 Fax: 800.868.0084  
equip.tsbrass.com