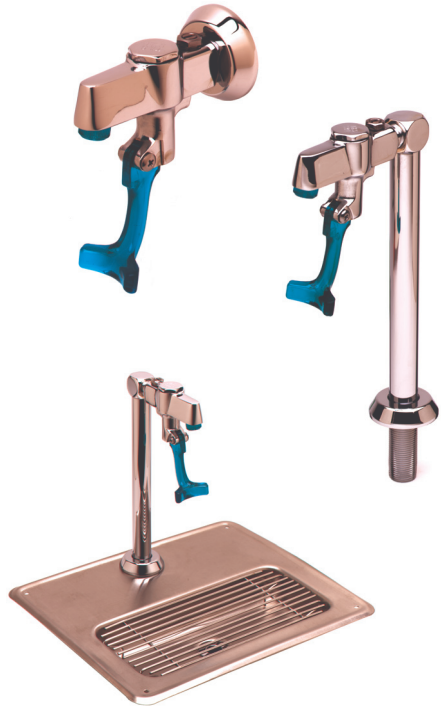


Installation and Maintenance Instructions

EQUIP 5GF GLASS FILLERS



Limited One Year Warranty

Equip warrants to the original purchaser (other than for purposes of resale) that such product is free from defects in material and workmanship for a period of one (1) year from the date of purchase. During this one-year warranty period, if the product is found to be defective, Equip shall, at its option, repair and/or replace it. To obtain warranty service, products must be returned to...

Equip Foodservice Accessories
Attn: Warranty Repair Department
P.O. Box 1088, 2 Saddleback Cove
Travelers Rest, SC 29690

Shipping, freight, insurance, and other transportation charges of the product to Equip and the return of repaired or replaced product to the purchaser are the responsibility of the purchaser. Repair and/or replacement shall be made within a reasonable time after receipt by Equip of the

returned product. This warranty does not cover items which have received secondary finishing or have been altered or modified after purchase, or for defects caused by physical abuse to or misuse of the product, or shipment of the products.

Any express warranty not provided herein, and any remedy for Breach of Contract which might arise, is hereby excluded and disclaimed. Any implied warranties of merchantability or fitness for a particular purpose are limited to one year in duration. Under no circumstances shall Equip be liable for loss of use or any special consequential costs, expenses or damages.

Some states do not allow limitations on how long an implied warranty lasts or the exclusion or limitation of incidental or consequential damages, so the above limitations or exclusions may not apply to you. Specific rights under this warranty and other rights vary from state to state.

<p>P/N: 098-003148-45EQ Rev. 0 Date: 04-05-11 Drawn: TEH Checked: JRM 04-07-11 Approved: JHB 04-07-11</p>

equip
Foodservice Accessories

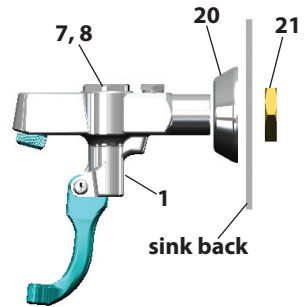
equip Foodservice Accessories
P.O. BOX 1088, 2 SADDLEBACK COVE
TRAVELERS REST, SOUTH CAROLINA 29690
PHONE: 800.891.4808 FAX: 800.868.0084



Instructions

Installation: (5GF-W-F & 5GF-W)

1. Turn off water supply and drain lines. Hand tighten no. **20** firmly against no. **1** and remove no. **21** from no. **1**.
2. Drill 7/8" hole in sheet metal. Insert no. **1** through hole and screw no. **21** on back of no. **1**, leaving no. **20** free to turn.
3. Apply teflon tape or pipe joint compound to threads of water supply line. Connect no. **1** to water supply line outlet, tightening as far as possible.
4. Tighten no. **20** and no. **21** so they are flush against surface of sink back.
5. Turn on water supply and check for leaks.

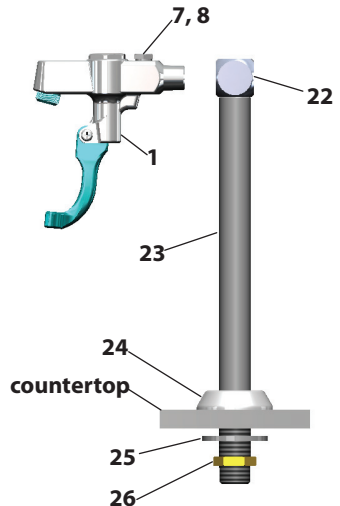


Flow Adjustment:

To adjust water flow, loosen no. 7 with a wrench, then use screwdriver to turn no. 8 to desired setting. Tighten no. 7 when flow adjustment is complete.

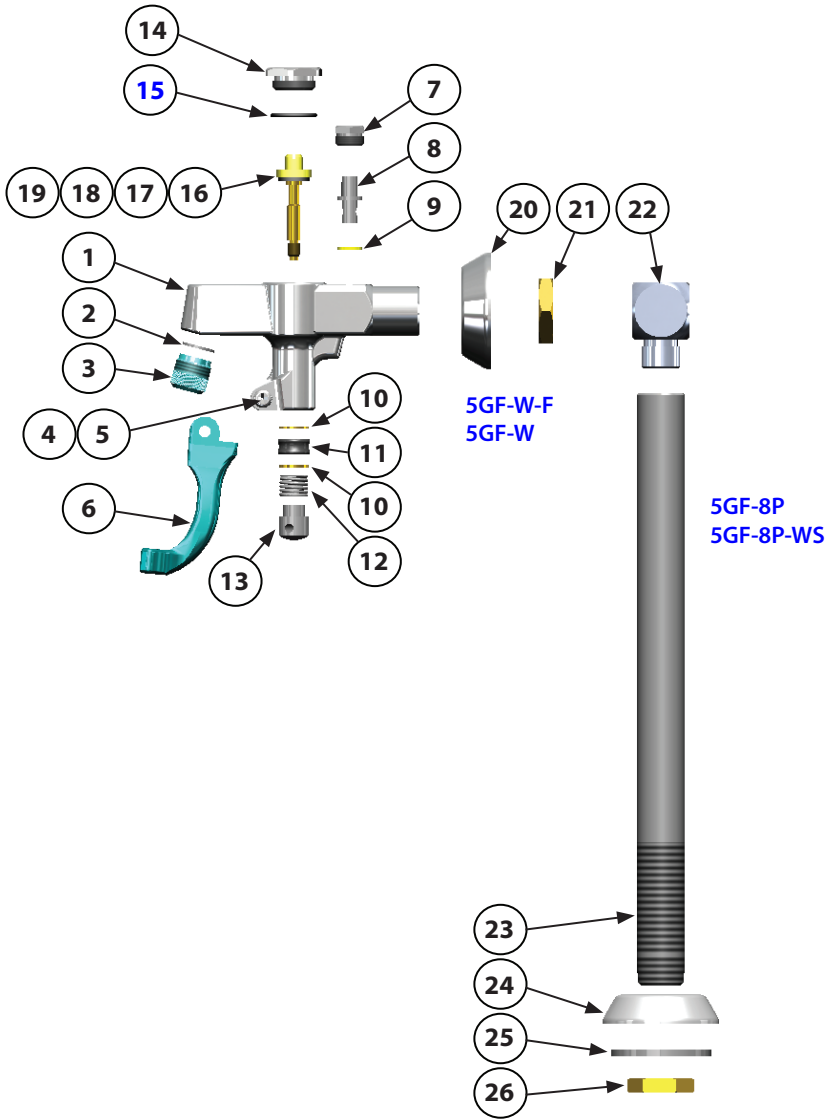
Installation: (5GF-8P & 5GF-8P-WS)

1. Turn off water supply and drain lines.
2. Unscrew and remove no. **26** and no. **25** from no. **23**. Position no. **24** to cover threads of no. **23**.
3. Place no. **23** through 7/8" hole in countertop. Replace no. **25** and no. **26** onto no. **23** and tighten with a wrench at bottom side of countertop.
4. Screw no. **1** into no. **22** and tighten firmly.
5. Apply teflon tape or pipe joint compound to threads of no. **23**, connect to water supply line inlet.
6. Turn on water supply and check for leaks.



To adjust water flow, please refer to flow adjustment note for 5GF-W-F & 5GF-W models.

Instructions



Part Numbers

Equip Glass Filler Assembly Parts List

5GF-W-F, 5GF-W, 5GF-8P, 5GF-8P-WS

1	Asm, Body - Glass Filler & Pin	N/A
2	Washer	*
3	Tip, Glass Filler	*
4	Screw, Handle	*
5	Nut, Handle	*
6	Lever Arm, Blue Lexan	*
7	Nut, Volume Control	N/A
8	Stem, Volume Control	N/A
9	Washer, Volume Control	N/A
10	Washer, Bonnet	*
11	Packing Stem	*
12	Spring	*
13	Pushbutton	N/A
14	Hexcap	N/A
15	O-Ring	*
16	Asm, Stem	N/A
17	Holder, Seat Washer	N/A
18	Stem	N/A
19	Washer, Seat	*
20	Flange (5GF-W-F)	N/A
21	Locknut (5GF-W-F)	N/A
<i>(Items 22 thru 26 used on 5GF-8P & 5GF-8P-WS models)</i>		
22	Pedestal Cube	N/A
23	Pedestal - 8"	N/A
24	Flange	N/A
25	Washer, Pedestal	N/A
26	Locknut	N/A

Note: Items marked with (*) are included in **5GF-RK Repair Parts Kit**. Those marked with (N/A) are for instructional purposes only.