

**ADA Compliant**

*This Space for Architect/Engineer Approval*

Job Name \_\_\_\_\_ Date \_\_\_\_\_

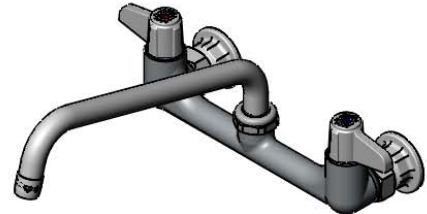
Model Specified \_\_\_\_\_ Quantity \_\_\_\_\_

Customer/Wholesaler \_\_\_\_\_

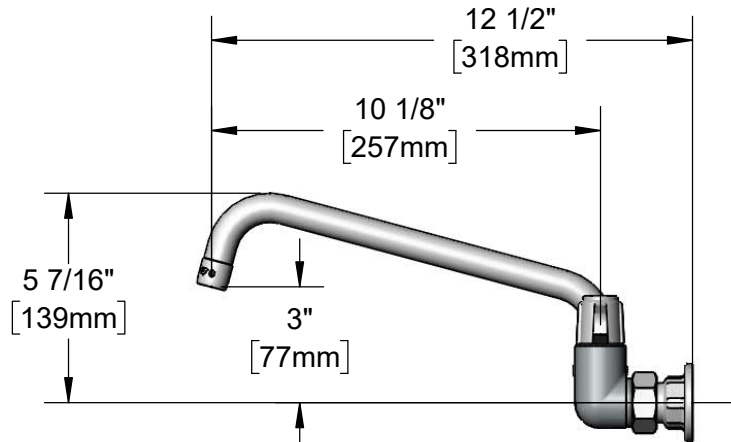
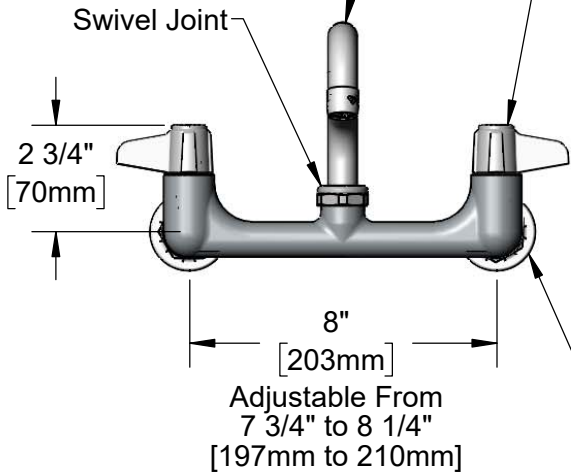
Contractor \_\_\_\_\_

Architect/Engineer \_\_\_\_\_

**5SP-10**  
 10" equip Swing Nozzle  
 w/ Laminar Flow Device.  
 Rigid Conversion Requires  
**014200-45** Lock Washer  
 (Sold Separately)

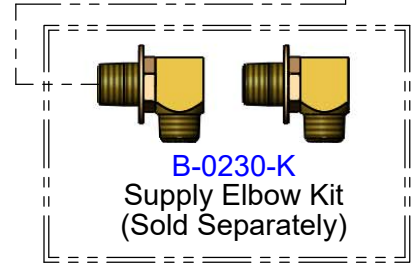


Quarter-Turn  
 Ceramic Cartridges &  
 equip Lever Handles  
 w/ Color Coded Screws



Ø 2" [51mm]  
 Flanges w/  
 1/2" NPT  
 Female Inlets

Mounting Surface



Model Number

**5F-8WLX10**

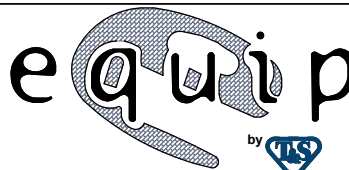
Product Specifications:

**8" Wall Mount Mixing Faucet, Quarter-Turn Ceramic Cartridges,  
 equip Lever Handles, 10" Swing Nozzle  
 & 1/2" NPT Female Inlets**

Product Compliance:

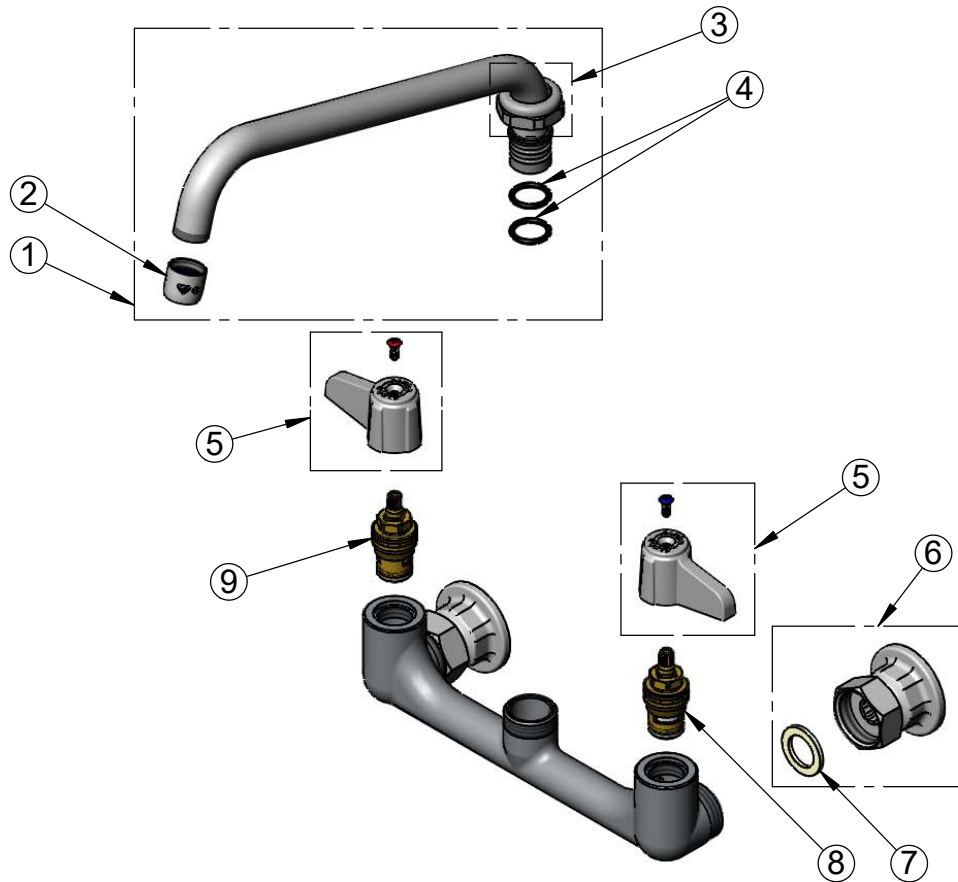
ASME A112.18.1 / CSA B125.1  
 NSF 61 - Section 9  
 NSF 372 (Low Lead Content)  
 ANSI A117.1 (ADA)

equip  
 Foodservice  
 Accessories



2 Saddleback Cove, P.O. Box 1088  
 Travelers Rest, South Carolina 29690  
 Phone: 800.891.4808 Fax: 800.868.0084  
 equip.tsbrass.com

ITEM NO.	SALES NO.	DESCRIPTION
1	5SP-10	10" equip Swing Nozzle
2	014250-45	Laminar Flow Device
3	013839-25	equip Swivel Nut
4	013848-45	O-Ring
5	5-HDL-L	equip Lever Handle w/ Color Coded Screws
6	00AA	1/2" NPT Female Eccentric Flange
7	001019-45	Coupling Nut Washer
8	013788-45	equip Ceramic Cartridge, LTC
9	013787-45	equip Ceramic Cartridge, RTC



Model Number

**5F-8WLX10**

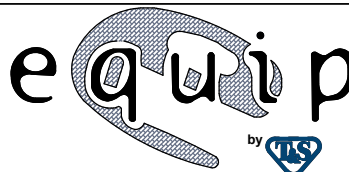
Product Specifications:

**8" Wall Mount Mixing Faucet, Quarter-Turn Ceramic Cartridges,  
equip Lever Handles, 10" Swing Nozzle  
& 1/2" NPT Female Inlets**

Product Compliance:

ASME A112.18.1 / CSA B125.1  
NSF 61 - Section 9  
NSF 372 (Low Lead Content)  
ANSI A117.1 (ADA)

equip  
Foodservice  
Accessories



2 Saddleback Cove, P.O. Box 1088  
Travelers Rest, South Carolina 29690  
Phone: 800.891.4808 Fax: 800.868.0084  
equip.tsbrass.com