



ADA Compliant

This Space for Architect/Engineer Approval

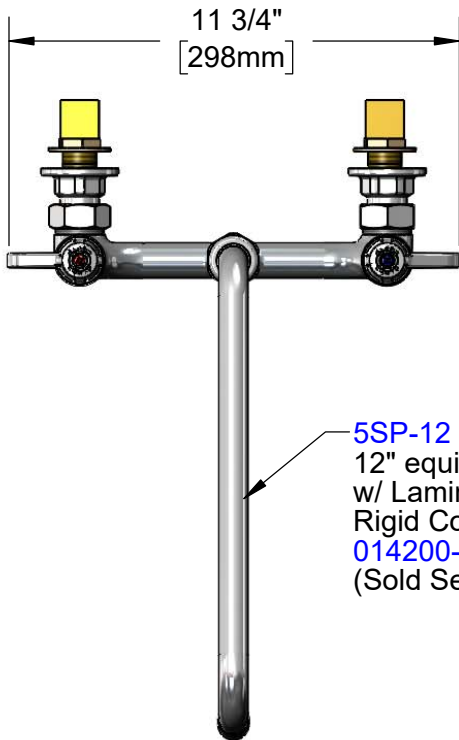
Job Name _____ Date _____

Model Specified _____ Quantity _____

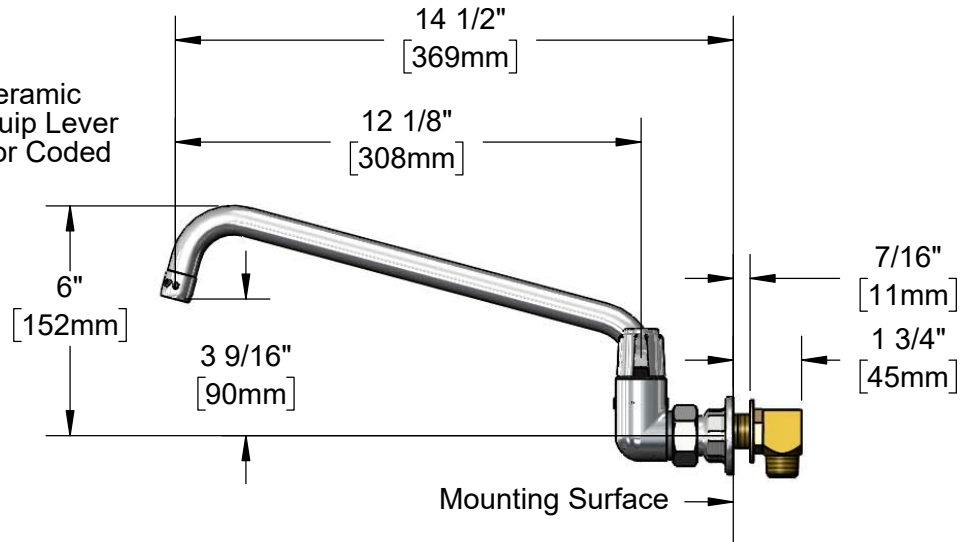
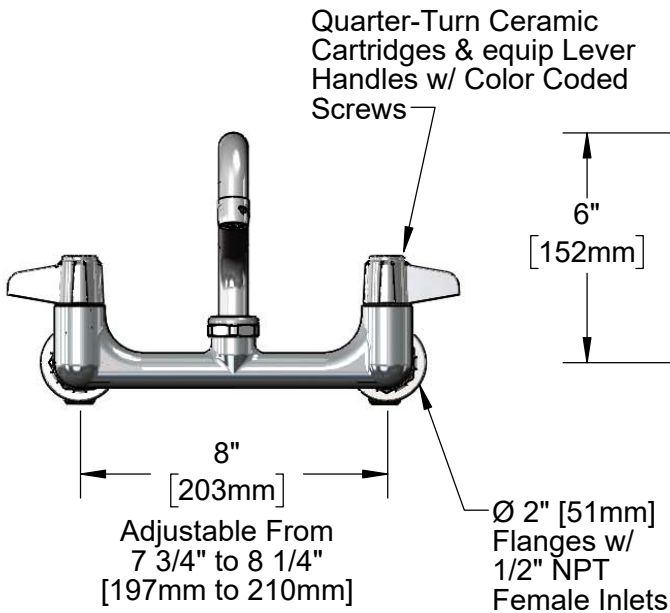
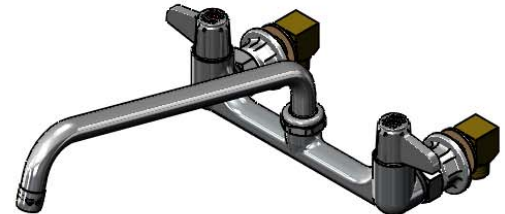
Customer/Wholesaler _____

Contractor _____

Architect/Engineer _____



5SP-12
12" equip Swing Nozzle
w/ Laminar Flow Device.
Rigid Conversion Requires
014200-45 Lock Washer
(Sold Separately)



Rough-In Requirement:
(2) Ø 1" [25mm] Mounting Holes

Model Number

5F-8WLS12

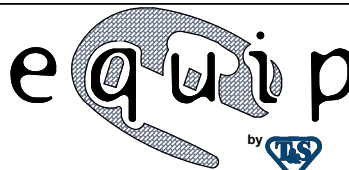
Product Specifications:

8" Wall Mount Mixing Faucet, Quarter-Turn Ceramic Cartridges,
equip Lever Handles, 12" equip Swing Nozzle & 1/2" NPT
Supply Elbow Kit

Product Compliance:

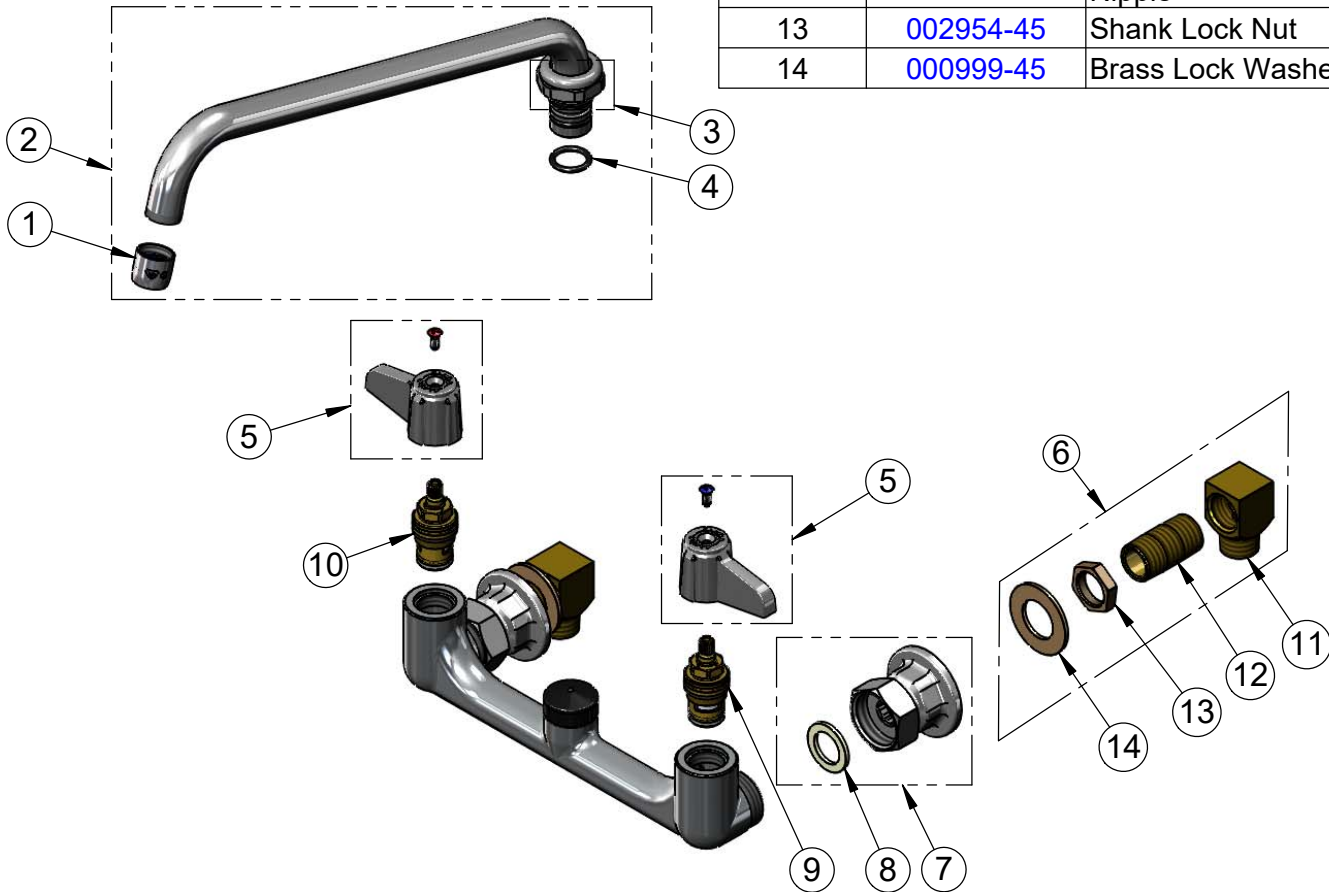
ASME A112.18.1 / CSA B125.1
NSF 61 - Section 9
NSF 372 (Low Lead Content)
ANSI A117.1 (ADA)

equip
Foodservice
Accessories



2 Saddleback Cove, P.O. Box 1088
Travelers Rest, South Carolina 29690
Phone: 800.891.4808 Fax: 800.868.0084
equip.tsbrass.com

ITEM NO.	SALES NO.	DESCRIPTION
1	014250-40	Laminar Flow Device
2	5SP-12	12" equip Swing Nozzle
3	013839-25	equip Swivel Nut
4	013848-45	equip Swivel Piece O-Ring
5	5-HDL-L	equip Lever Handle w/ Color Coded Screws
6	B-0230-K	1/2" NPT Male Supply Inlet Kit
7	00AA	1/2" NPT Flange Assembly
8	001019-45	Coupling Nut Washer
9	013788-45	equip Quarter-Turn Ceramic Cartridge, LTC
10	013787-45	equip Ceramic Cartridge, RTC
11	B-1100-K	1/2" NPT Male Inlet Elbow
12	013357-20	1/2" NPT x 1-5/8" Lg. Close Nipple
13	002954-45	Shank Lock Nut
14	000999-45	Brass Lock Washer



Model Number

5F-8WLS12

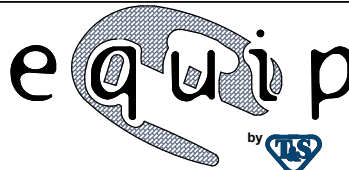
Product Specifications:

8" Wall Mount Mixing Faucet, Quarter-Turn Ceramic Cartridges, equip Lever Handles, 12" equip Swing Nozzle & 1/2" NPT Supply Elbow Kit

Product Compliance:

ASME A112.18.1 / CSA B125.1
NSF 61 - Section 9
NSF 372 (Low Lead Content)
ANSI A117.1 (ADA)

equip
Foodservice
Accessories



2 Saddleback Cove, P.O. Box 1088
Travelers Rest, South Carolina 29690
Phone: 800.891.4808 Fax: 800.868.0084
equip.tsbrass.com