



ADA Compliant

*This Space for Architect/Engineer Approval*

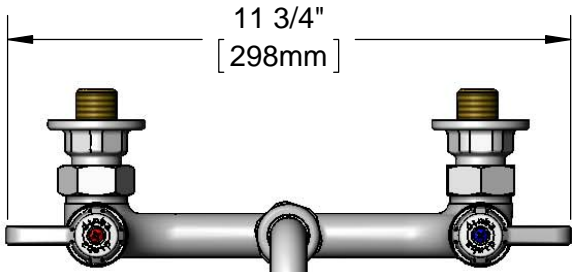
Job Name \_\_\_\_\_ Date \_\_\_\_\_

Model Specified \_\_\_\_\_ Quantity \_\_\_\_\_

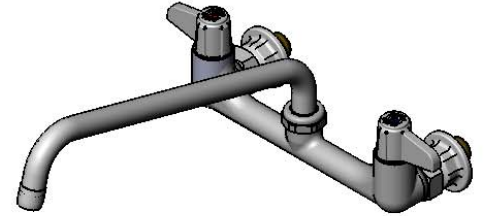
Customer/Wholesaler \_\_\_\_\_

Contractor \_\_\_\_\_

Architect/Engineer \_\_\_\_\_



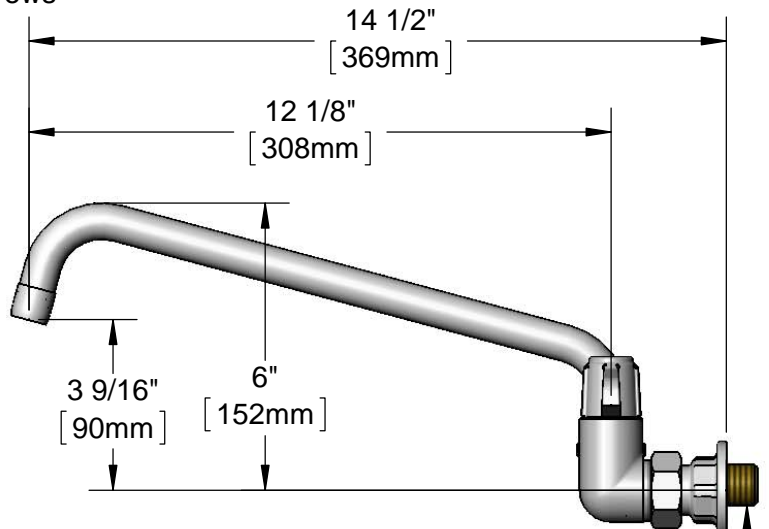
11 3/4"  
[298mm]



**5SP-12**  
12" equip Swing Nozzle  
w/ Laminar Flow Device.  
Rigid Conversion Requires  
**014200-45** Lock Washer  
(Sold Separately)

Ceramic Cartridges &  
equip Lever Handles  
w/ Color Coded Screws

Swivel Joint



14 1/2"  
[369mm]

12 1/8"  
[308mm]

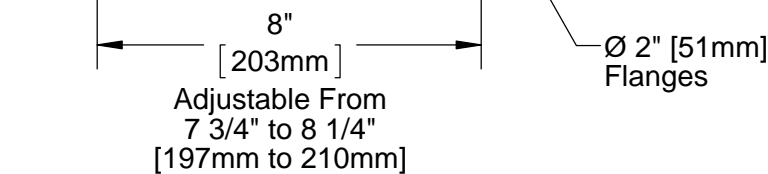
3 9/16"  
[90mm]

6"  
[152mm]

2 3/4"  
[70mm]

Mounting Surface

1/2" BSPP  
Male Inlets



8"  
[203mm]  
Adjustable From  
7 3/4" to 8 1/4"  
[197mm to 210mm]

Ø 2" [51mm]  
Flanges

Rough-In Requirement:  
(2) Ø 1" [25mm] Mounting Holes

Model Number

**5F-8WLB12**

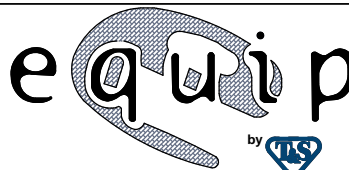
Product Specifications:

8" Wall Mount Mixing Faucet, Ceramic Cartridges,  
equip Lever Handles, 12" equip Swing Nozzle  
& 1/2" BSPP Male Inlets

Product Compliance:

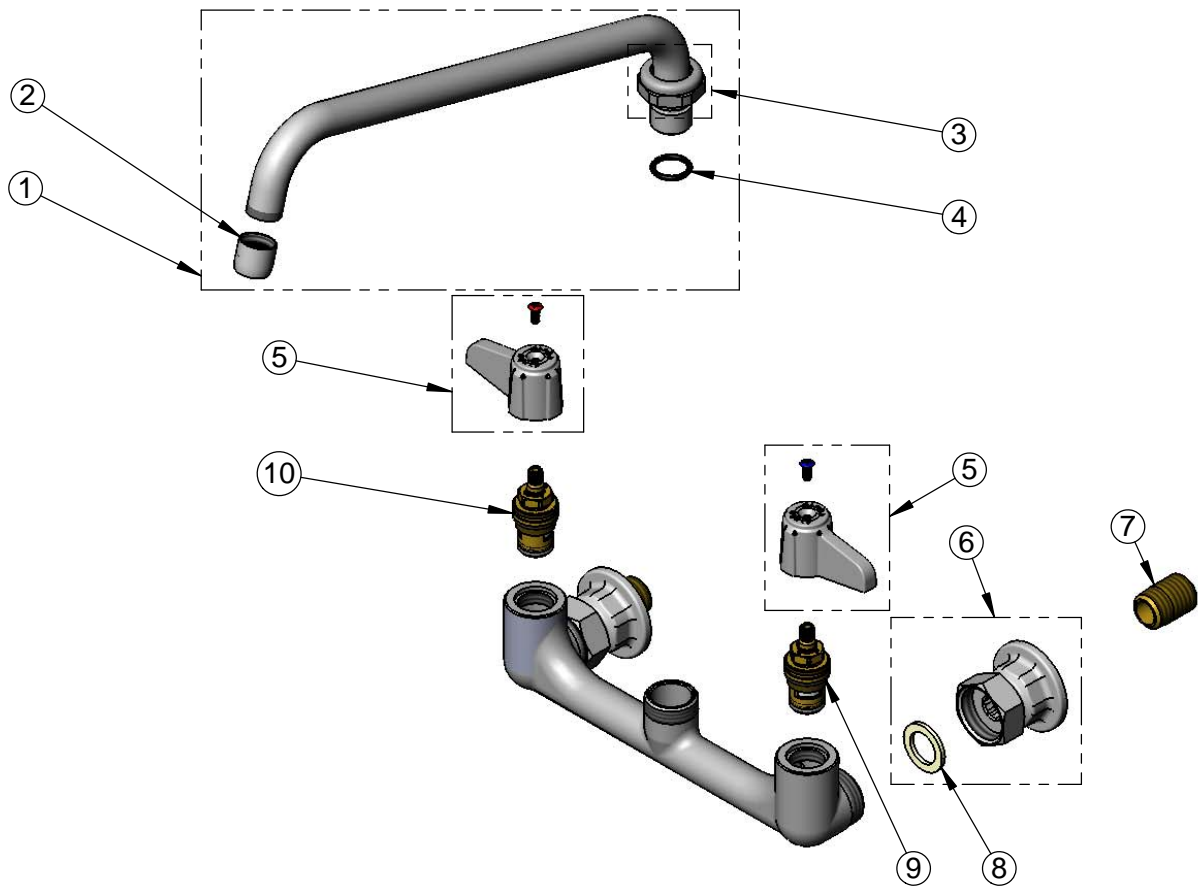
ASME A112.18.1 / CSA B125.1  
NSF 61 - Section 9  
NSF 372 (Low Lead Content)  
ANSI A117.1 (ADA)

equip  
Foodservice  
Accessories



2 Saddleback Cove, P.O. Box 1088  
Travelers Rest, South Carolina 29690  
Phone: 800.891.4808 Fax: 800.868.0084  
equip.tsbrass.com

ITEM NO.	SALES NO.	DESCRIPTION
1	5SP-12	12" equip Swing Nozzle
2	014250-45	Laminar Flow Device, 3/4-27 UN Female
3	013839-25	equip Swivel Nut
4	013848-45	O-Ring, Size -115
5	5-HDL-L	equip Lever Handle w/ Color Coded Screws
6	00AA	1/2" NPT Female Eccentric Flange
7	019047-45	Supply Nipple, 1/2" NPT x 1/2" BSPP
8	001019-45	Coupling Nut Washer
9	013788-45	equip Ceramic Cartridge, LTC
10	013787-45	equip Ceramic Cartridge, RTC



Model Number

**5F-8WLB12**

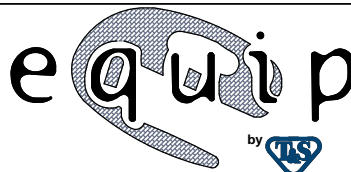
Product Specifications:

8" Wall Mount Mixing Faucet, Ceramic Cartridges,  
equip Lever Handles, 12" equip Swing Nozzle  
& 1/2" BSPP Male Inlets

Product Compliance:

ASME A112.18.1 / CSA B125.1  
NSF 61 - Section 9  
NSF 372 (Low Lead Content)  
ANSI A117.1 (ADA)

equip  
Foodservice  
Accessories



2 Saddleback Cove, P.O. Box 1088  
Travelers Rest, South Carolina 29690  
Phone: 800.891.4808 Fax: 800.868.0084  
equip.tsbrass.com