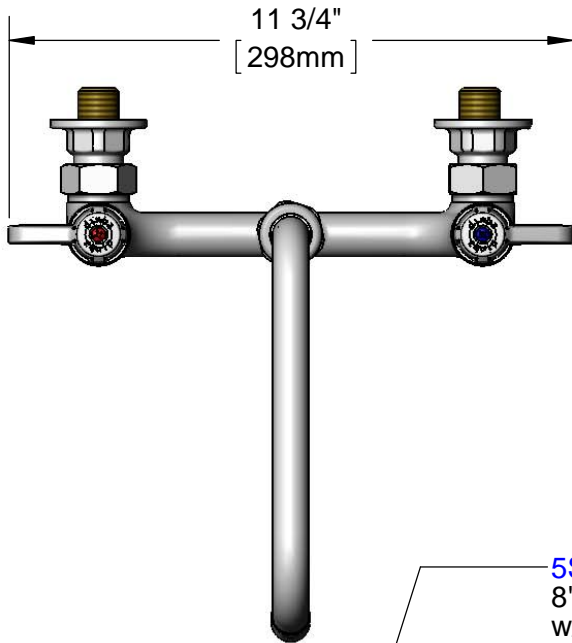




ADA Compliant



This Space for Architect/Engineer Approval

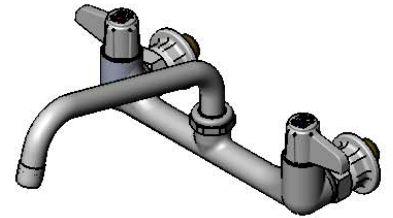
Job Name _____ Date _____

Model Specified _____ Quantity _____

Customer/Wholesaler _____

Contractor _____

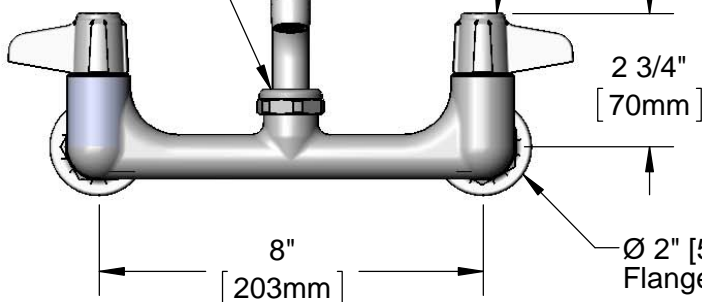
Architect/Engineer _____



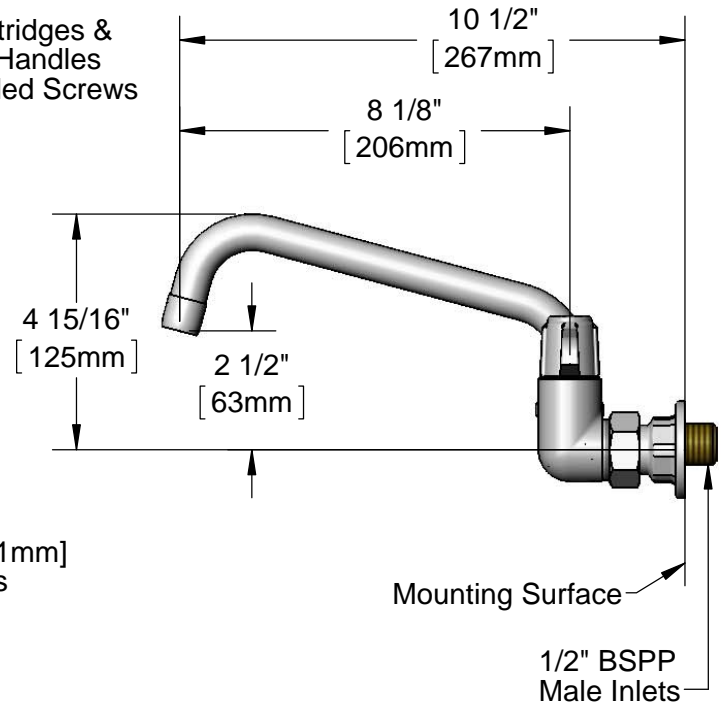
5SP-08
 8" equip Swing Nozzle
 w/ Laminar Flow Device.
 Rigid Conversion Requires
014200-45 Lock Washer
 (Sold Separately)

Ceramic Cartridges &
 equip Lever Handles
 w/ Color Coded Screws

Swivel Joint



Adjustable From
 7 3/4" to 8 1/4"
 [197mm to 210mm]



Rough-In Requirement:
 (2) Ø 1" [25mm] Mounting Holes

Model Number
5F-8WLB08

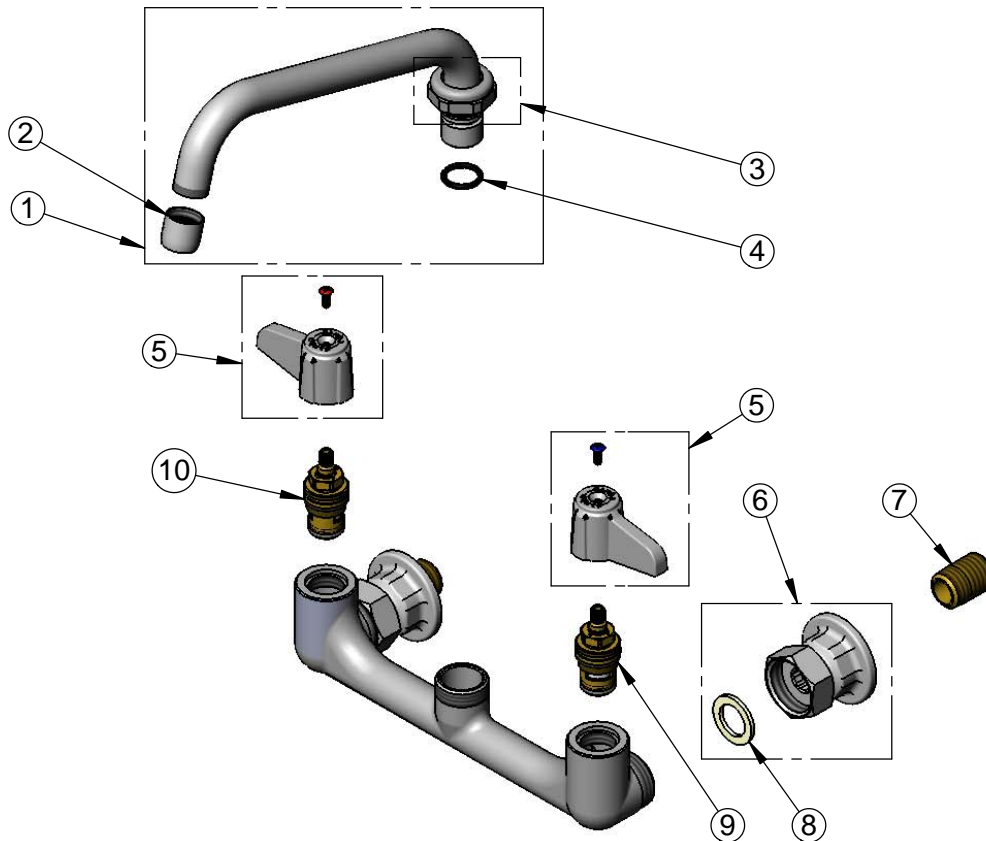
Product Specifications:
 8" Wall Mount Mixing Faucet, Ceramic Cartridges,
 equip Lever Handles, 8" equip Swing Nozzle
 & 1/2" BSP Male Inlets

Product Compliance:
 ASME A112.18.1 / CSA B125.1
 NSF 61 - Section 9
 NSF 372 (Low Lead Content)
 ANSI A117.1 (ADA)

equip
 Foodservice
 Accessories

2 Saddleback Cove, P.O. Box 1088
 Travelers Rest, South Carolina 29690
 Phone: 800.891.4808 Fax: 800.868.0084
 equip.tsbrass.com

ITEM NO.	SALES NO.	DESCRIPTION
1	5SP-08	8" equip Swing Nozzle
2	014250-45	Laminar Flow Device, 3/4-27 UN Female
3	013839-25	Swivel Nut
4	013848-45	equip Swivel Piece O-Ring
5	5-HDL-L	equip Lever Handle w/ Color Coded Screws
6	00AA	1/2" NPT Female Eccentric Flange
7	019047-45	Supply Nipple, 1/2" NPT x 1/2" BSPP
8	001019-45	Coupling Nut Washer
9	013788-45	Equip Ceramic Cartridge, LTC
10	013787-45	Equip Ceramic Cartridge, RTC



Model Number

5F-8WLB08

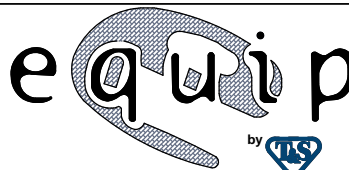
Product Specifications:

8" Wall Mount Mixing Faucet, Ceramic Cartridges,
equip Lever Handles, 8" equip Swing Nozzle
& 1/2" BSPP Male Inlets

Product Compliance:

ASME A112.18.1 / CSA B125.1
NSF 61 - Section 9
NSF 372 (Low Lead Content)
ANSI A117.1 (ADA)

equip
Foodservice
Accessories



2 Saddleback Cove, P.O. Box 1088
Travelers Rest, South Carolina 29690
Phone: 800.891.4808 Fax: 800.868.0084
equip.tsbrass.com