



ADA Compliant

*This Space for Architect/Engineer Approval*

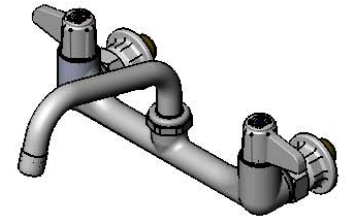
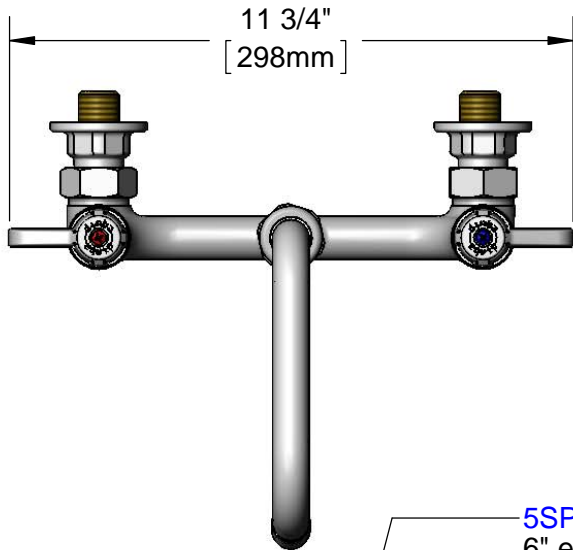
Job Name \_\_\_\_\_ Date \_\_\_\_\_

Model Specified \_\_\_\_\_ Quantity \_\_\_\_\_

Customer/Wholesaler \_\_\_\_\_

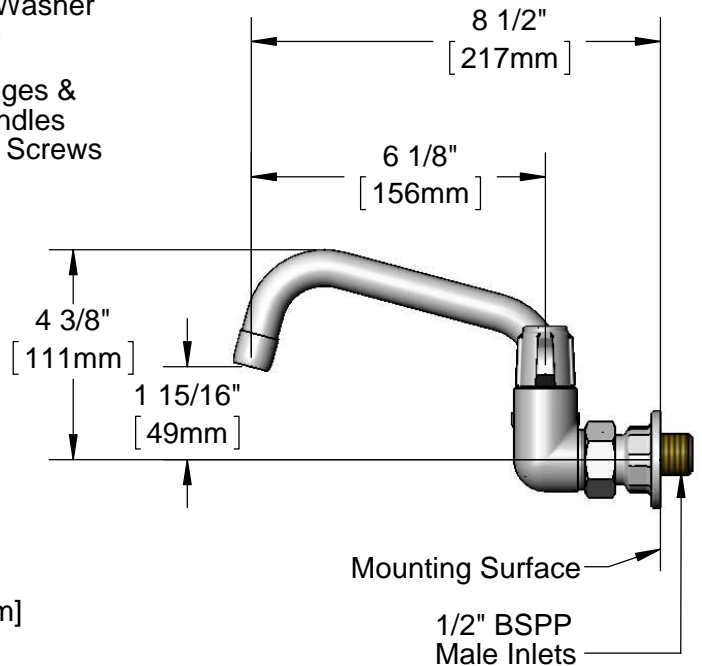
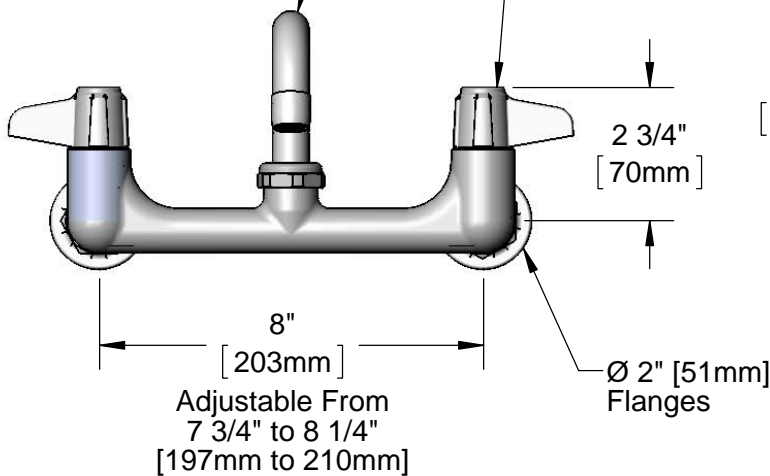
Contractor \_\_\_\_\_

Architect/Engineer \_\_\_\_\_



5SP-06  
6" equip Swing Nozzle  
w/ Laminar Flow Device.  
Rigid Conversion Requires  
014200-45 Lock Washer  
(Sold Separately)

Ceramic Cartridges &  
equip Lever Handles  
w/ Color Coded Screws



Rough-In Requirement:  
(2) Ø 1" [25mm] Mounting Holes

Model Number

**5F-8WLB06**

Product Specifications:

8" Wall Mount Mixing Faucet w/ Ceramic Cartridges,  
equip Lever Handles, 6" equip Swing Nozzle  
& 1/2" BSPP Male Inlets

Product Compliance:

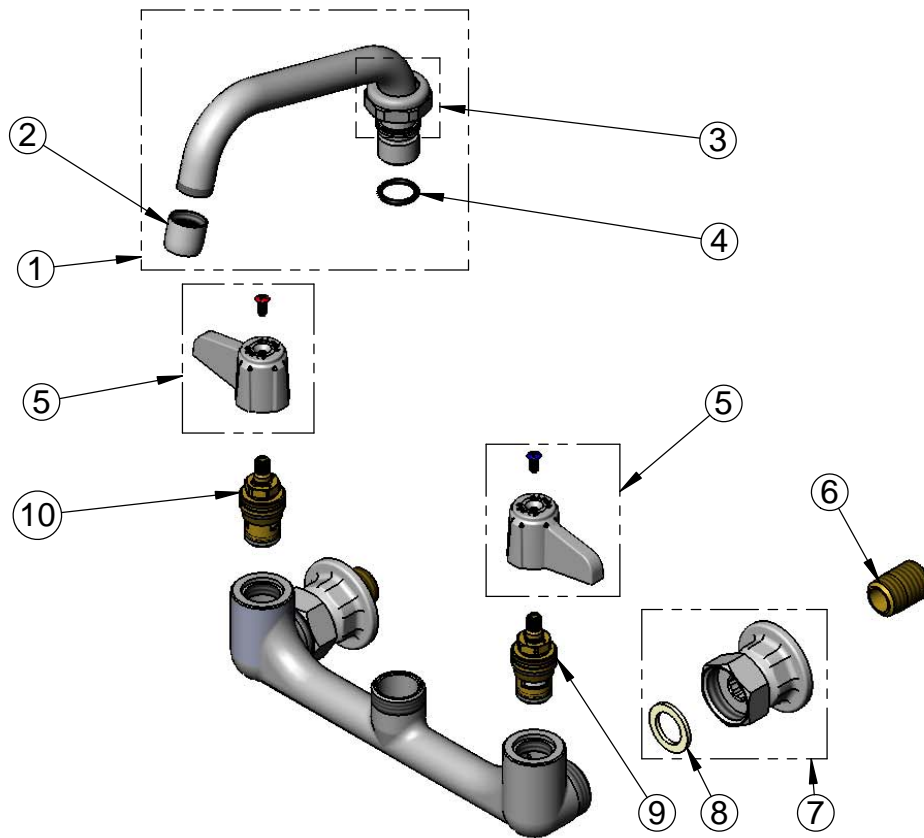
ASME A112.18.1 / CSA B125.1  
NSF 61 - Section 9  
NSF 372 (Low Lead Content)  
ANSI A117.1 (ADA)

equip  
Foodservice  
Accessories



2 Saddleback Cove, P.O. Box 1088  
Travelers Rest, South Carolina 29690  
Phone: 800.891.4808 Fax: 800.868.0084  
equip.tsbrass.com

| ITEM NO. | SALES NO. | DESCRIPTION                              |
|----------|-----------|--|
| 1        | 5SP-06    | 6" equip Swing Nozzle                    |
| 2        | 014250-40 | Laminar Flow Device                      |
| 3        | 013839-25 | equip Swivel Nut                         |
| 4        | 013848-45 | equip Swivel Piece O-Ring                |
| 5        | 5-HDL-L   | equip Lever Handle w/ Color Coded Screws |
| 6        | 019047-45 | Supply Nipple, 1/2" NPT x 1/2" BSPP      |
| 7        | 00AA      | 1/2" NPT Female Eccentric Flange         |
| 8        | 001019-45 | Coupling Nut Washer                      |
| 9        | 013788-45 | equip Ceramic Cartridge, LTC             |
| 10       | 013787-45 | equip Ceramic Cartridge, RTC             |



Model Number

**5F-8WLB06**

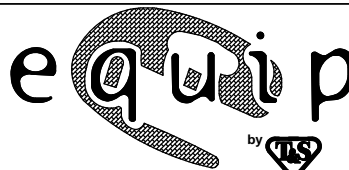
Product Specifications:

8" Wall Mount Mixing Faucet w/ Ceramic Cartridges,  
equip Lever Handles, 6" equip Swing Nozzle  
& 1/2" BSPP Male Inlets

Product Compliance:

ASME A112.18.1 / CSA B125.1  
NSF 61 - Section 9  
NSF 372 (Low Lead Content)  
ANSI A117.1 (ADA)

equip  
Foodservice  
Accessories



2 Saddleback Cove, P.O. Box 1088  
Travelers Rest, South Carolina 29690  
Phone: 800.891.4808 Fax: 800.868.0084  
equip.tsbrass.com