



**ADA Compliant**

*This Space for Architect/Engineer Approval*

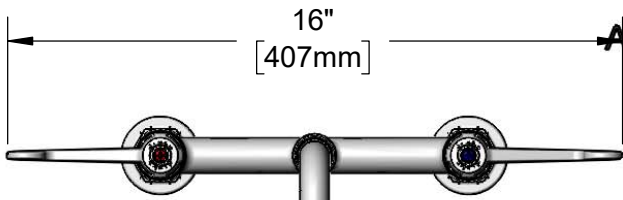
Job Name \_\_\_\_\_ Date \_\_\_\_\_

Model Specified \_\_\_\_\_ Quantity \_\_\_\_\_

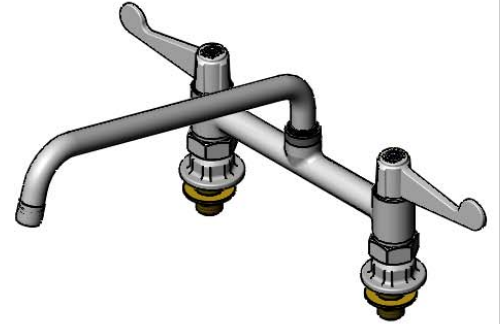
Customer/Wholesaler \_\_\_\_\_

Contractor \_\_\_\_\_

Architect/Engineer \_\_\_\_\_

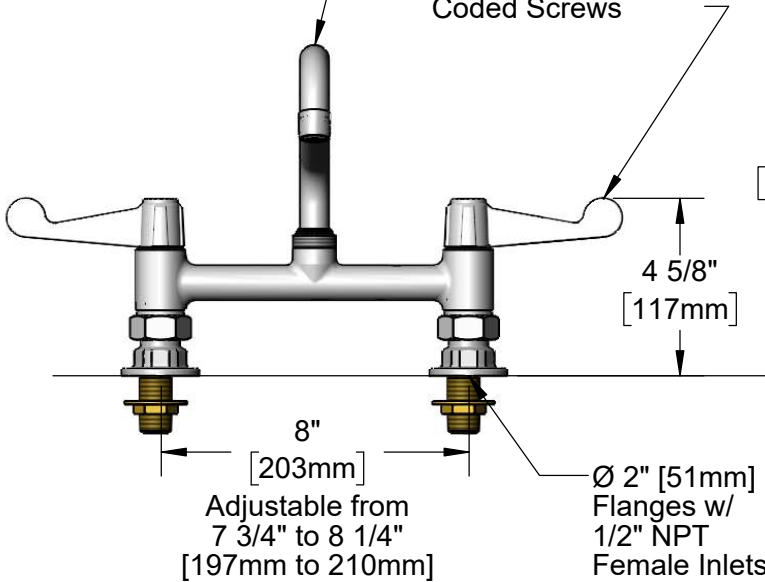


16"  
[407mm]



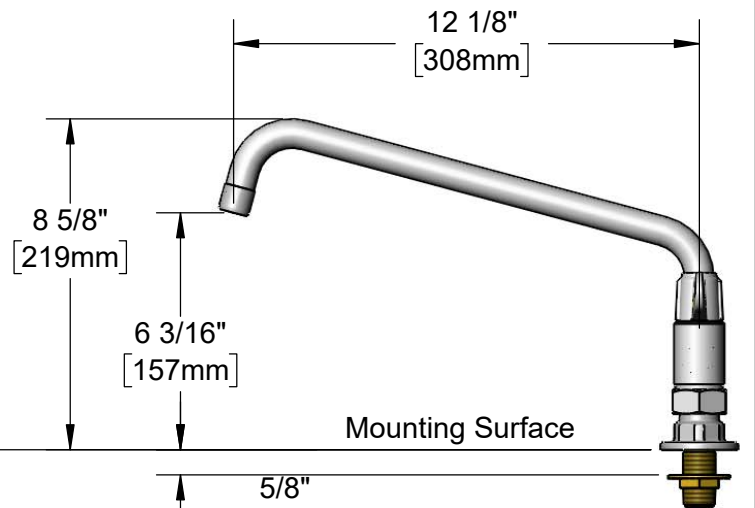
**5SP-12-F15**  
12 1/8" equip Swing Nozzle  
w/ 1.5 GPM Aerator.  
Rigid Conversion Requires  
**014200-45** Lock Washer  
(Sold Separately)

equip Quarter-Turn  
Ceramic Cartridges &  
equip 4" Wrist Action  
Handles w/ Color  
Coded Screws



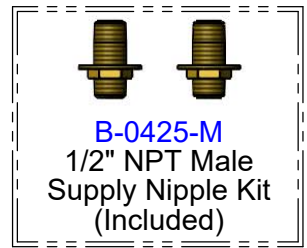
8"  
[203mm]  
Adjustable from  
7 3/4" to 8 1/4"  
[197mm to 210mm]

Ø 2" [51mm]  
Flanges w/  
1/2" NPT  
Female Inlets



Mounting Surface

5/8"  
[17mm]  
Maximum  
Thickness



**B-0425-M**  
1/2" NPT Male  
Supply Nipple Kit  
(Included)

Rough-In Requirement:  
(2) Ø 1" [25mm] Mounting Holes

Model Number

**5F-8DWS12-F15**

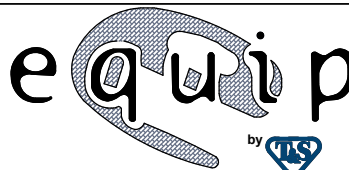
Product Specifications:

8" Deck Mount Mixing Faucet w/ equip Quarter-Turn Ceramic Cartridges, equip 4" Wrist Action Handles, 12 1/8" equip Swing Nozzle with 1.5 GPM Aerator & 1/2" NPT Male Supply Nipple Kit

Product Compliance:

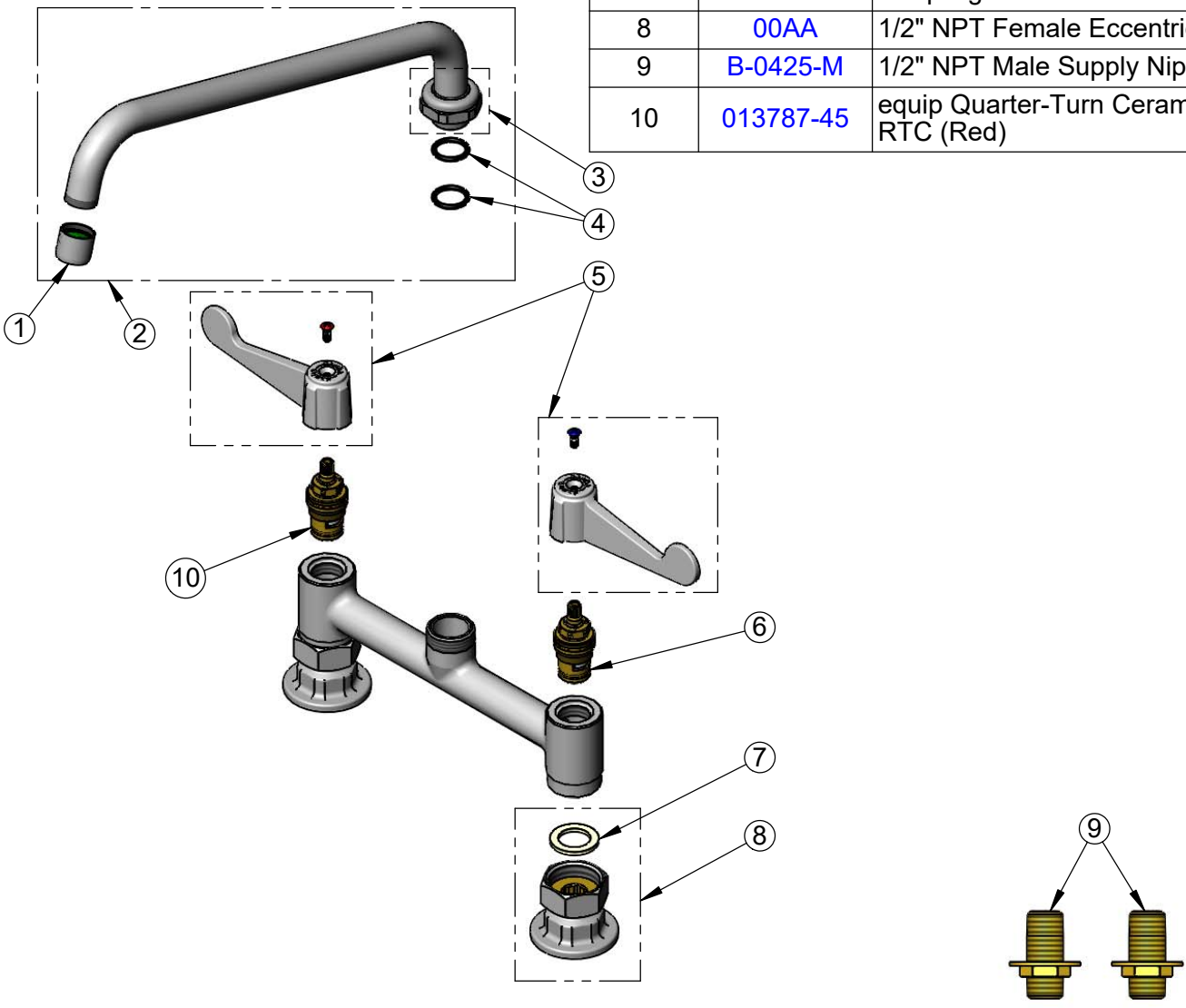
ASME A112.18.1 / CSA B125.1  
NSF 61 - Section 9  
NSF 372 (Low Lead Content)  
ANSI A117.1 (ADA)

equip  
Foodservice  
Accessories



2 Saddleback Cove, P.O. Box 1088  
Travelers Rest, South Carolina 29690  
Phone: 800.891.4808 Fax: 800.868.0084  
equip.tsbrass.com

ITEM NO.	SALES NO.	DESCRIPTION
1	SP-F15	1.5 GPM Aerator, 3/4-27 UN Female
2	5SP-12-F15	12 1/8" Swing Nozzle
3	013839-25	equip Swivel Nut
4	013848-45	O-Ring
5	5-HDL-W	equip 4" Wrist Action Handle w/ Color Coded Screws
6	013788-45	equip Quarter-Turn Ceramic Cartridge, LTC (Blue)
7	001019-45	Coupling Nut Washer
8	00AA	1/2" NPT Female Eccentric Flange
9	B-0425-M	1/2" NPT Male Supply Nipple Kit (2)
10	013787-45	equip Quarter-Turn Ceramic Cartridge, RTC (Red)



Model Number  
**5F-8DWS12-F15**

Product Compliance:  
ASME A112.18.1 / CSA B125.1  
NSF 61 - Section 9  
NSF 372 (Low Lead Content)  
ANSI A117.1 (ADA)

Product Specifications:  
**8" Deck Mount Mixing Faucet w/ equip Quarter-Turn Ceramic Cartridges, equip 4" Wrist Action Handles, 12 1/8" equip Swing Nozzle with 1.5 GPM Aerator & 1/2" NPT Male Supply Nipple Kit**

equip  
Foodservice  
Accessories



2 Saddleback Cove, P.O. Box 1088  
Travelers Rest, South Carolina 29690  
Phone: 800.891.4808 Fax: 800.868.0084  
equip.tsbrass.com