



ADA Compliant

This Space for Architect/Engineer Approval

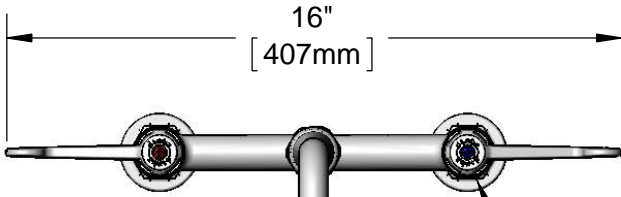
Job Name _____ Date _____

Model Specified _____ Quantity _____

Customer/Wholesaler _____

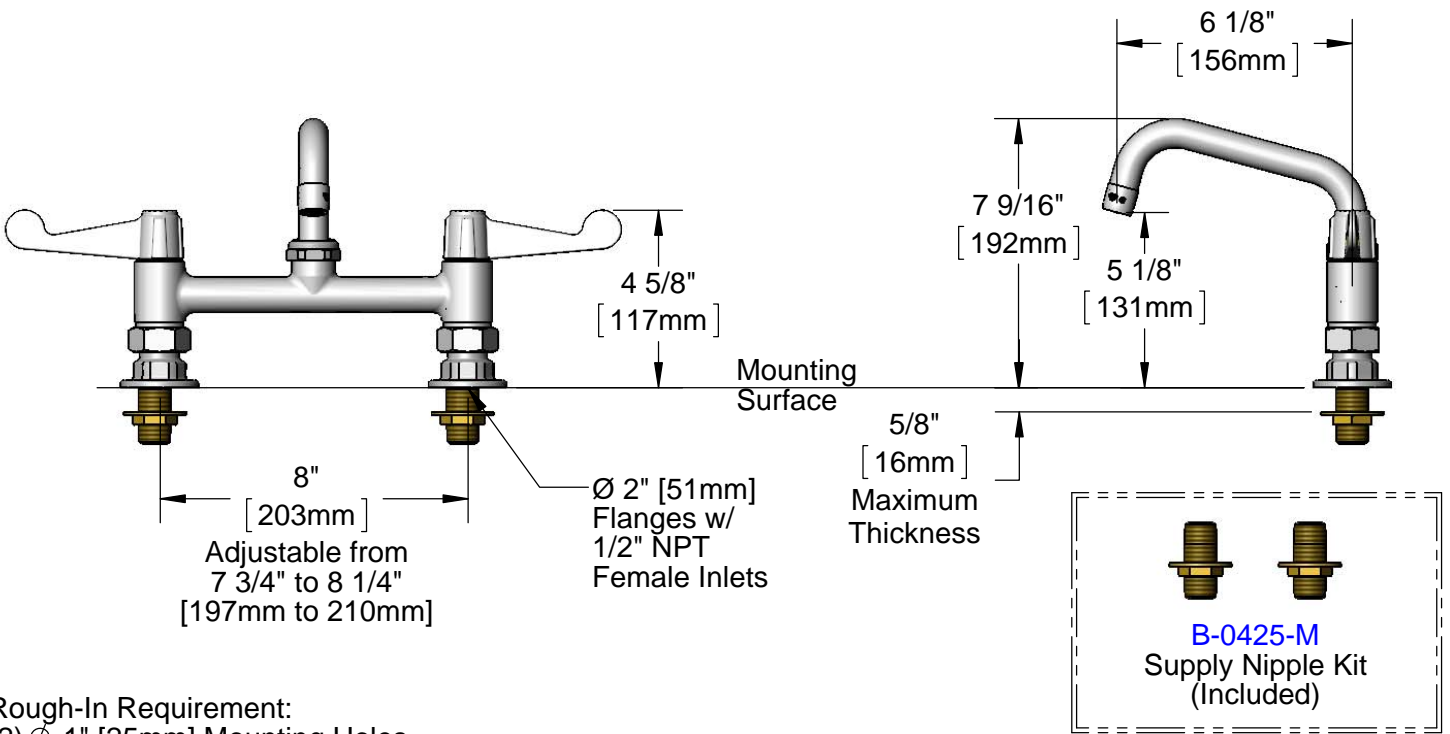
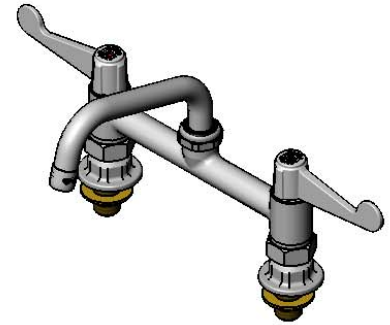
Contractor _____

Architect/Engineer _____



Quarter-Turn Ceramic Cartridges & equip 4" Wrist Action Handles w/ Color Coded Screws

5SP-06
6" equip Swing Nozzle w/ Laminar Flow Device. Rigid Conversion Requires **014200-45** Lock Washer (Sold Separately)



Rough-In Requirement:
(2) \varnothing 1" [25mm] Mounting Holes

Model Number
5F-8DWS06

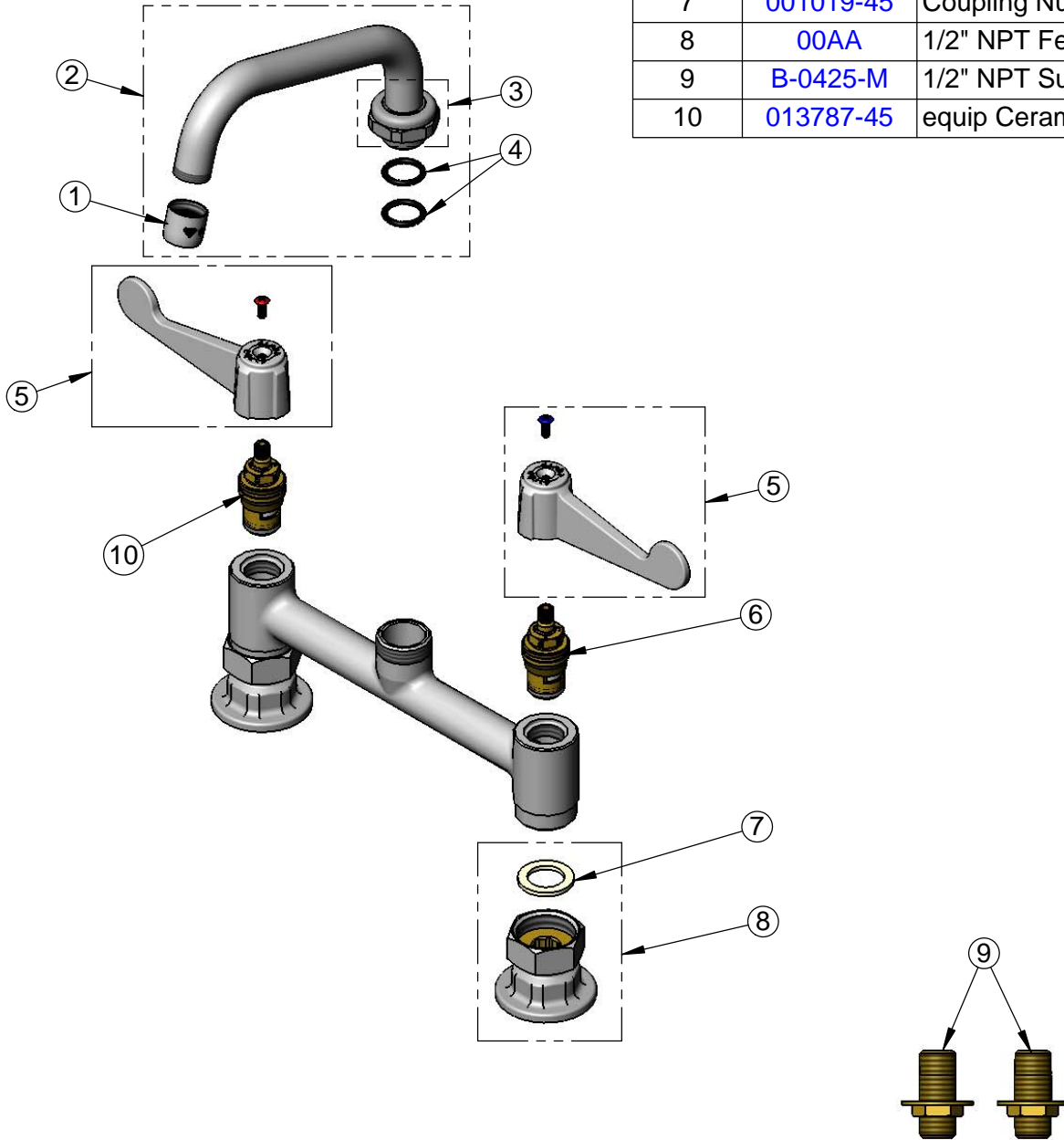
Product Specifications:
8" Deck Mount Mixing Faucet w/ Quarter-Turn Ceramic Cartridges, equip 4" Wrist Action Handles, 6" equip Swing Nozzle & 1/2" NPT Supply Nipple Kit

Product Compliance:
ASME A112.18.1 / CSA B125.1
NSF 61 - Section 9
NSF 372 (Low Lead Content)
ANSI A117.1 (ADA)

equip Foodservice Accessories  by 

2 Saddleback Cove, P.O. Box 1088
Travelers Rest, South Carolina 29690
Phone: 800.891.4808 Fax: 800.868.0084
equip.tsbrass.com

| ITEM NO. | SALES NO. | DESCRIPTION |
|----------|-----------|--|
| 1 | 014250-45 | Laminar Flow Device |
| 2 | 5SP-06 | 6" equip Swing Nozzle |
| 3 | 013839-25 | equip Swivel Nut |
| 4 | 013848-45 | equip Swivel Piece O-Ring |
| 5 | 5-HDL-W | equip 4" Wrist Action Handle w/ Color Coded Screws |
| 6 | 013788-45 | equip Ceramic Cartridge, LTC |
| 7 | 001019-45 | Coupling Nut Washer |
| 8 | 00AA | 1/2" NPT Female Eccentric Flange |
| 9 | B-0425-M | 1/2" NPT Supply Nipple Kit (2) |
| 10 | 013787-45 | equip Ceramic Cartridge, RTC |



Model Number

5F-8DWS06

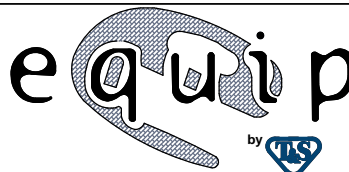
Product Specifications:

8" Deck Mount Mixing Faucet w/ Quarter-Turn Ceramic Cartridges, equip 4" Wrist Action Handles, 6" equip Swing Nozzle & 1/2" NPT Supply Nipple Kit

Product Compliance:

ASME A112.18.1 / CSA B125.1
NSF 61 - Section 9
NSF 372 (Low Lead Content)
ANSI A117.1 (ADA)

equip
Foodservice
Accessories



2 Saddleback Cove, P.O. Box 1088
Travelers Rest, South Carolina 29690
Phone: 800.891.4808 Fax: 800.868.0084
equip.tsbrass.com