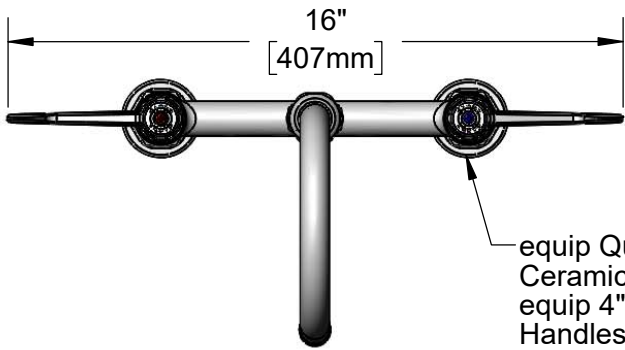




ADA Compliant



equip Quarter-Turn Ceramic Cartridges & equip 4" Wrist Action Handles w/ Color Coded Screws

This Space for Architect/Engineer Approval

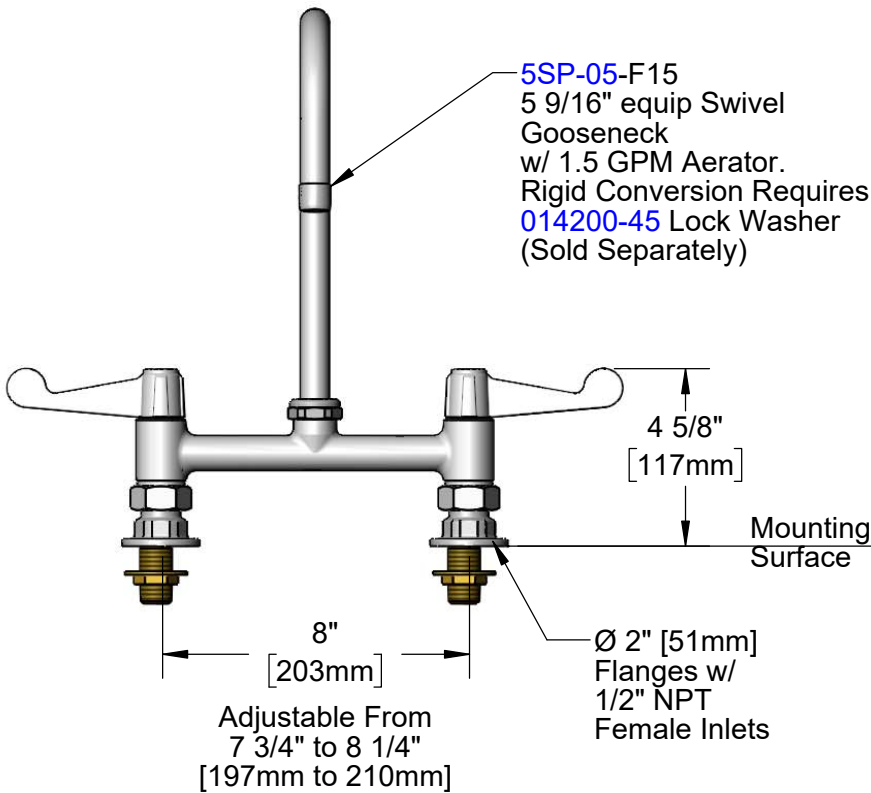
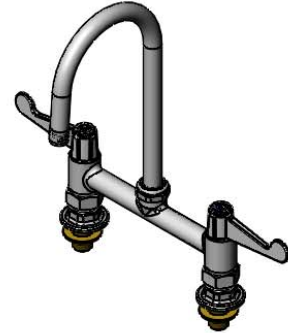
Job Name _____ Date _____

Model Specified _____ Quantity _____

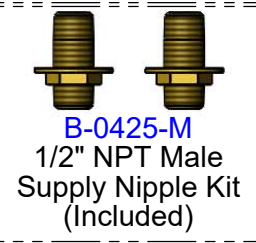
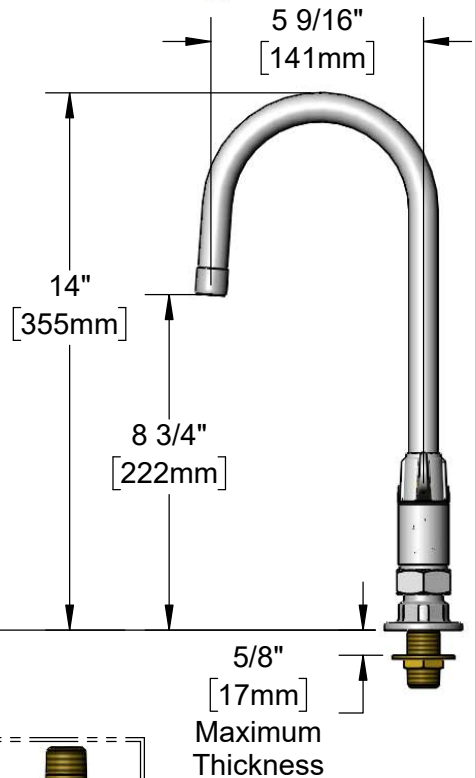
Customer/Wholesaler _____

Contractor _____

Architect/Engineer _____



5SP-05-F15
5 9/16" equip Swivel Gooseneck w/ 1.5 GPM Aerator. Rigid Conversion Requires 014200-45 Lock Washer (Sold Separately)



Rough-In Requirement:
(2) Ø 1" [25mm] Mounting Holes

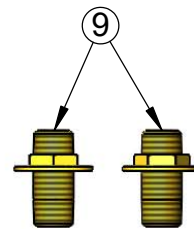
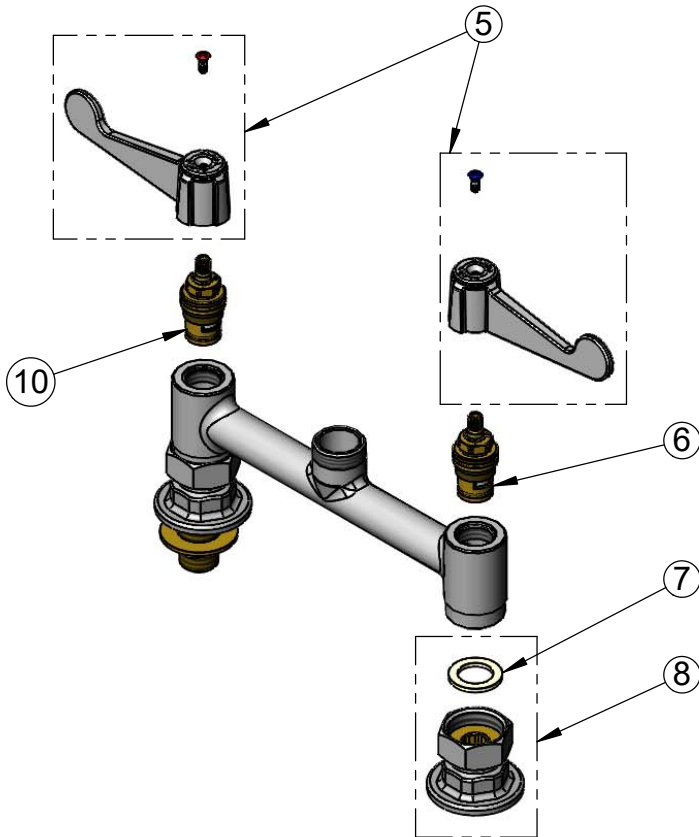
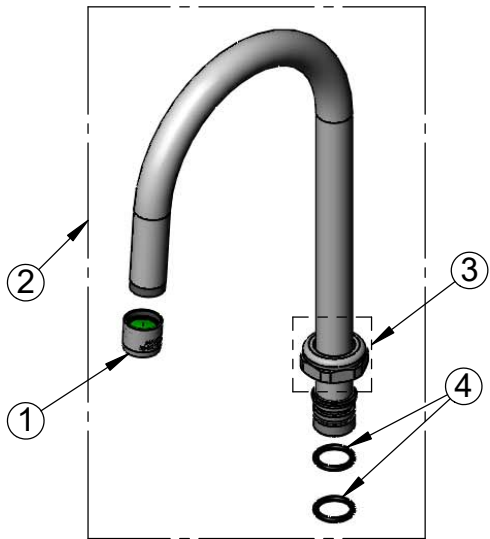
Model Number
5F-8DWS05-F15

Product Specifications:
8" Deck Mount Mixing Faucet w/ equip Quarter-Turn Ceramic Cartridges, equip 4" Wrist Action Handles, 5 9/16" equip Swivel Gooseneck with 1.5 GPM Aerator & 1/2" NPT Male Supply Nipple Kit

Product Compliance:
ASME A112.18.1 / CSA B125.1
NSF 61 - Section 9
NSF 372 (Low Lead Content)
ANSI A117.1 (ADA)

equip Foodservice Accessories  2 Saddleback Cove, P.O. Box 1088
Travelers Rest, South Carolina 29690
Phone: 800.891.4808 Fax: 800.868.0084
equip.tsbrass.com

ITEM NO.	SALES NO.	DESCRIPTION
1	SP-F15	1.5 GPM Aerator, 3/4-27 UN Female
2	5SP-05-F15	5 9/16" Swivel Gooseneck
3	013839-25	equip Swivel Nut
4	013848-45	O-Ring
5	5-HDL-W	equip 4" Wrist Action Handle w/ Color Coded Screws
6	013788-45	equip Quarter-Turn Ceramic Cartridge, LTC (Blue)
7	001019-45	Coupling Nut Washer
8	00AA	1/2" NPT Female Eccentric Flange
9	B-0425-M	1/2" NPT Male Supply Nipple Kit (2)
10	013787-45	equip Quarter-Turn Ceramic Cartridge, RTC (Red)



Model Number

5F-8DWS05-F15

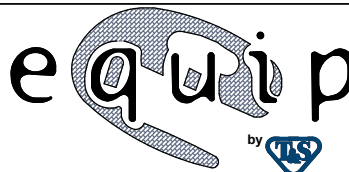
Product Specifications:

8" Deck Mount Mixing Faucet w/ equip Quarter-Turn Ceramic Cartridges, equip 4" Wrist Action Handles, 5 9/16" equip Swivel Gooseneck with 1.5 GPM Aerator & 1/2" NPT Male Supply Nipple Kit

Product Compliance:

ASME A112.18.1 / CSA B125.1
NSF 61 - Section 9
NSF 372 (Low Lead Content)
ANSI A117.1 (ADA)

equip
Foodservice
Accessories



2 Saddleback Cove, P.O. Box 1088
Travelers Rest, South Carolina 29690
Phone: 800.891.4808 Fax: 800.868.0084
equip.tsbrass.com