



ADA Compliant

*This Space for Architect/Engineer Approval*

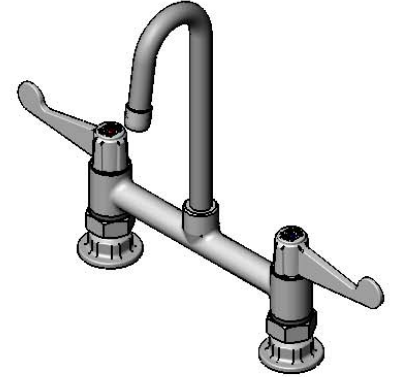
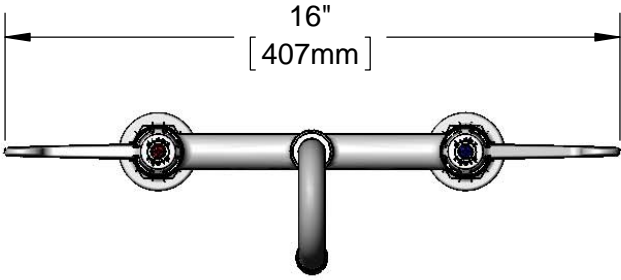
Job Name \_\_\_\_\_ Date \_\_\_\_\_

Model Specified \_\_\_\_\_ Quantity \_\_\_\_\_

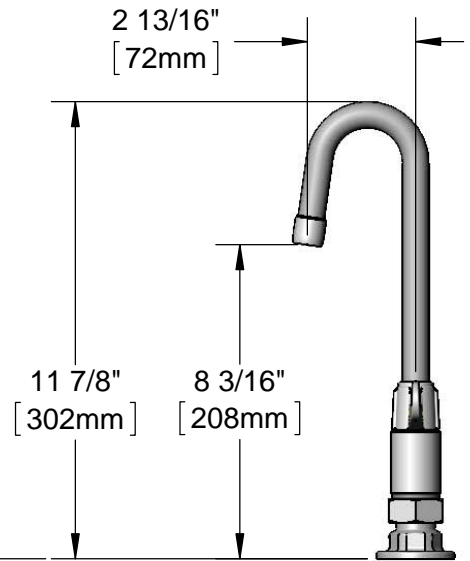
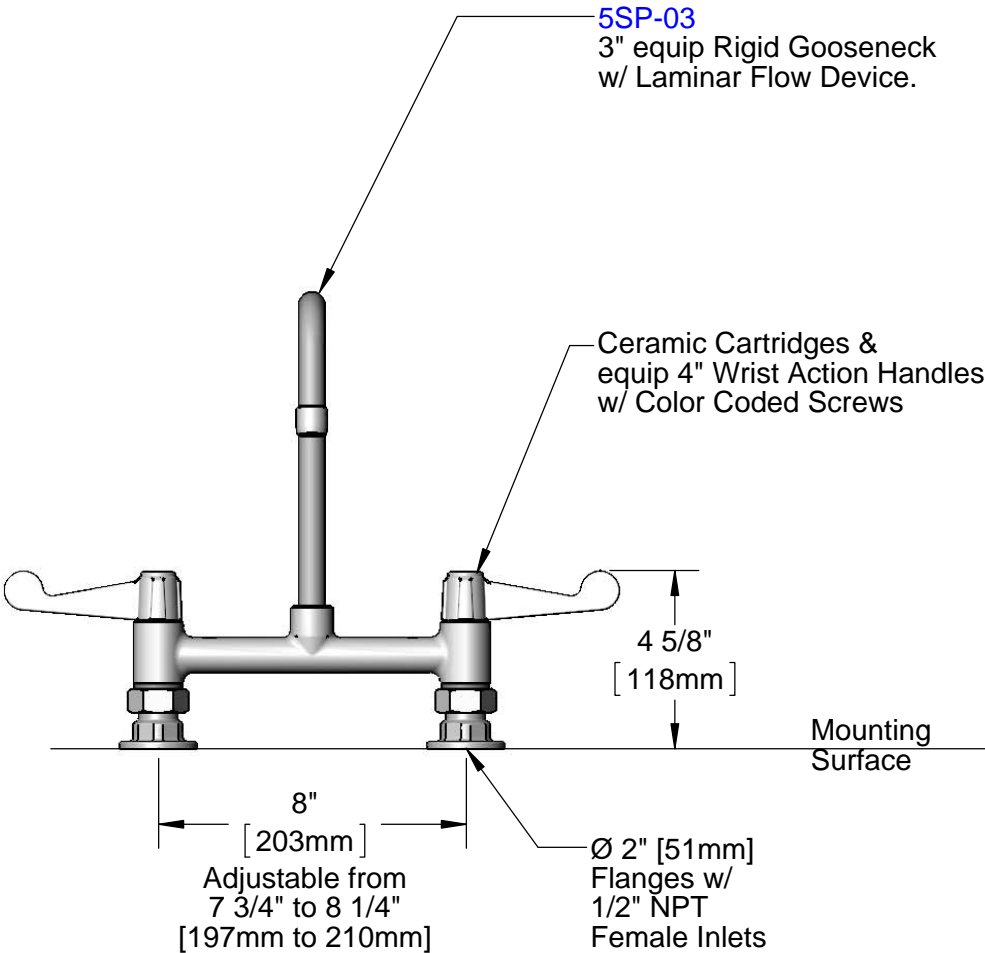
Customer/Wholesaler \_\_\_\_\_

Contractor \_\_\_\_\_

Architect/Engineer \_\_\_\_\_



**5SP-03**  
3" equip Rigid Gooseneck  
w/ Laminar Flow Device.



Rough-In Requirement:  
(2)  $\phi$  1" [25mm] Mounting Holes

Model Number <b>5F-8DWS03</b>	Date 12/09/13	Scale 1:5	Drawn DHL	Checked DMH	Approved JHB
----------------------------------	------------------	--------------	--------------	----------------	-----------------

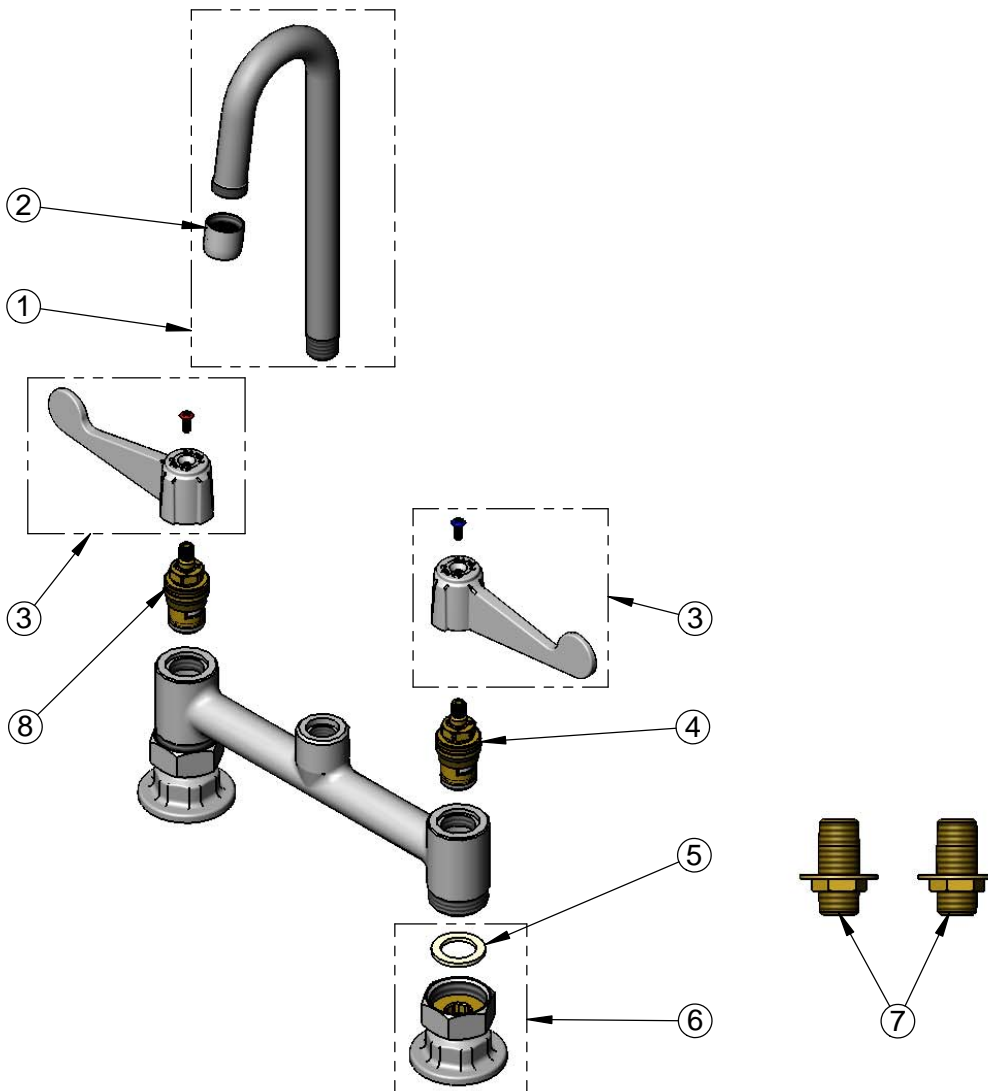
Product Specifications:

**8" Deck Mount Mixing Faucet w/ Ceramic Cartridges,  
equip 4" Wrist Action Handles, 3" equip Rigid Gooseneck  
& 1/2" NPT Supply Nipple Kit**



equip Foodservice Accessories  
2 Saddleback Cove, P.O. Box 1088  
Travelers Rest, South Carolina 29690  
Phone: 800.891.4808 Fax: 800.868.0084

ITEM NO.	SALES NO.	DESCRIPTION
1	5SP-03	3" equip Rigid Gooseneck
2	014250-45	Laminar Flow Device
3	5-HDL-W	equip 4" Wrist Action Handle w/ Color Coded Screws
4	013788-45	equip Ceramic Cartridge, LTC
5	001019-45	Coupling Nut Washer
6	00AA	1/2" NPT Female Eccentric Flange
7	B-0425-M	1/2" NPT Supply Nipple Kit (2)
8	013787-45	equip Ceramic Cartridge, RTC



Model Number <b>5F-8DWS03</b>	Date 12/09/13	Scale 1:4	Drawn DHL	Checked DMH	Approved JHB
----------------------------------	------------------	--------------	--------------	----------------	-----------------



Product Specifications:

**8" Deck Mount Mixing Faucet w/ Ceramic Cartridges,  
equip 4" Wrist Action Handles, 3" equip Rigid Gooseneck  
& 1/2" NPT Supply Nipple Kit**

equip Foodservice Accessories  
2 Saddleback Cove, P.O. Box 1088  
Travelers Rest, South Carolina 29690  
Phone: 800.891.4808 Fax: 800.868.0084