



ADA Compliant

This Space for Architect/Engineer Approval

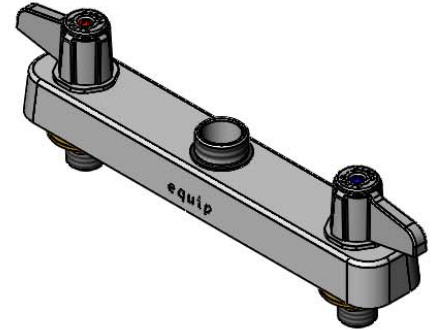
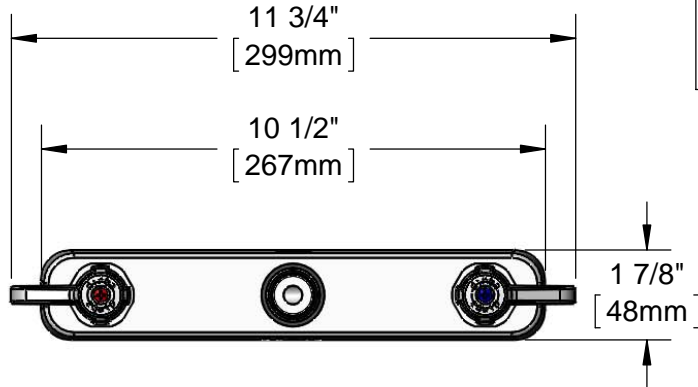
Job Name _____ Date _____

Model Specified _____ Quantity _____

Customer/Wholesaler _____

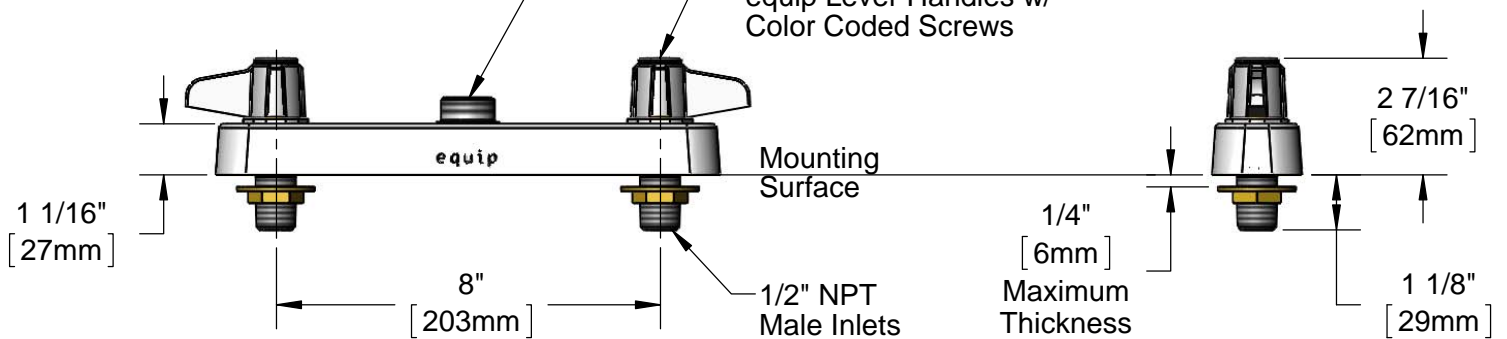
Contractor _____

Architect/Engineer _____



Swivel Outlet Accepts equip Swivel Nozzles. Rigid Conversion Requires 014200-45 Lock Washer (Sold Separately)

Quarter-Turn Ceramic Cartridges & equip Lever Handles w/ Color Coded Screws



Rough-In Requirement:
(2) \varnothing 1" [25mm] Mounting Holes

Model Number
5F-8CLX00

Product Specifications:
8" Deck Mount Workboard Mixing Faucet, Less Nozzle w/ Quarter-Turn Ceramic Cartridges, equip Lever Handles & 1/2" NPT Male Inlets

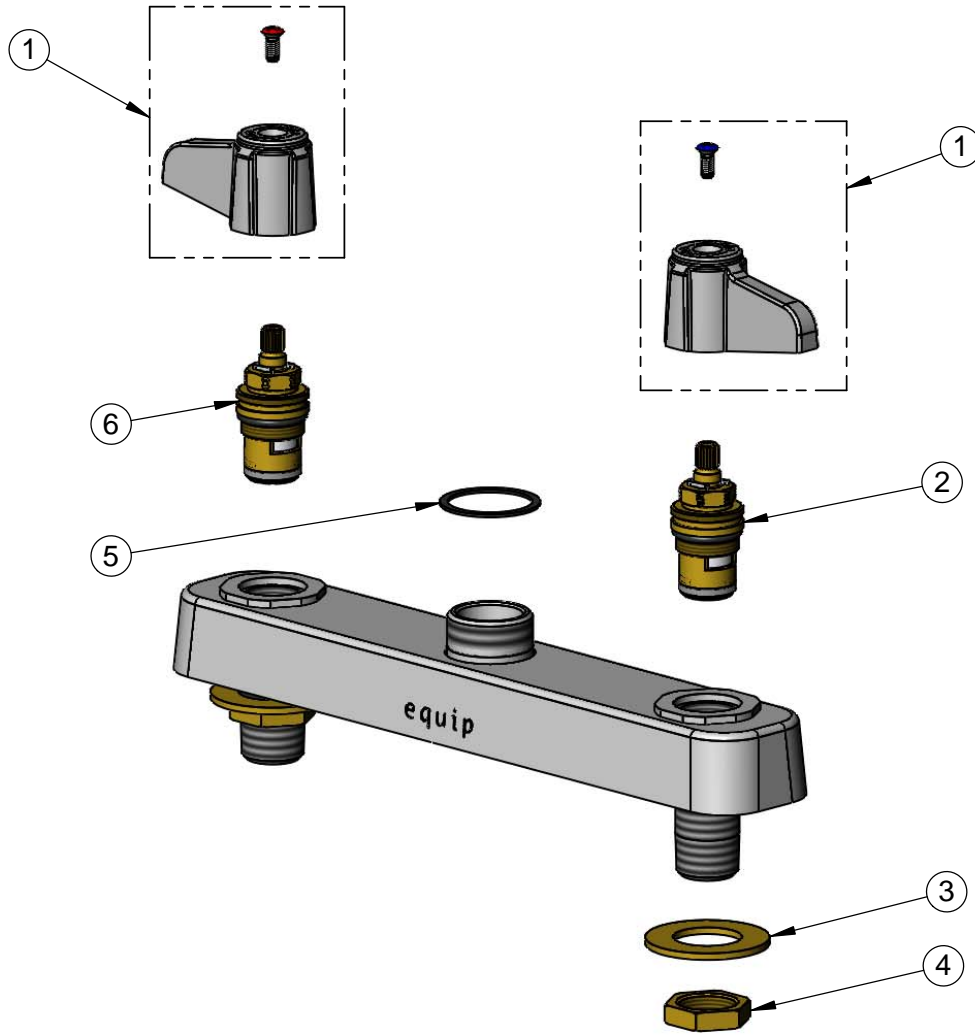
Product Compliance:
ASME A112.18.1 / CSA B125.1
NSF 61 - Section 9
NSF 372 (Low Lead Content)
ANSI A117.1 (ADA)

equip
Foodservice
Accessories



2 Saddleback Cove, P.O. Box 1088
Travelers Rest, South Carolina 29690
Phone: 800.891.4808 Fax: 800.868.0084
equip.tsbrass.com

| ITEM NO. | SALES NO. | DESCRIPTION |
|----------|-----------|--|
| 1 | 5-HDL-L | equip Lever Handle w/ Color Coded Screws |
| 2 | 013788-45 | equip Ceramic Cartridge, LTC |
| 3 | 000999-45 | Brass Lock Washer |
| 4 | 002954-45 | Shank Lock Nut |
| 5 | 017587-45 | Swivel Nut Seal |
| 6 | 013787-45 | equip Ceramic Cartridge, RTC |



Model Number

5F-8CLX00

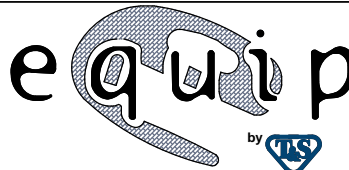
Product Specifications:

8" Deck Mount Workboard Mixing Faucet, Less Nozzle w/ Quarter-Turn Ceramic Cartridges, equip Lever Handles & 1/2" NPT Male Inlets

Product Compliance:

ASME A112.18.1 / CSA B125.1
NSF 61 - Section 9
NSF 372 (Low Lead Content)
ANSI A117.1 (ADA)

equip
Foodservice
Accessories



2 Saddleback Cove, P.O. Box 1088
Travelers Rest, South Carolina 29690
Phone: 800.891.4808 Fax: 800.868.0084
equip.tsbrass.com