



**ADA Compliant**

*This Space for Architect/Engineer Approval*

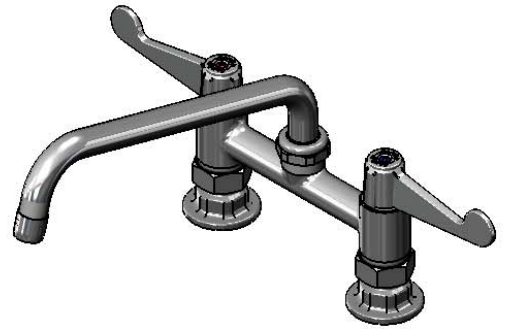
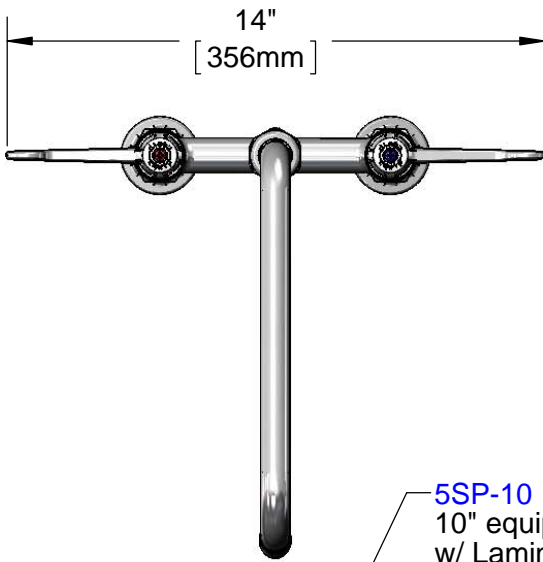
Job Name \_\_\_\_\_ Date \_\_\_\_\_

Model Specified \_\_\_\_\_ Quantity \_\_\_\_\_

Customer/Wholesaler \_\_\_\_\_

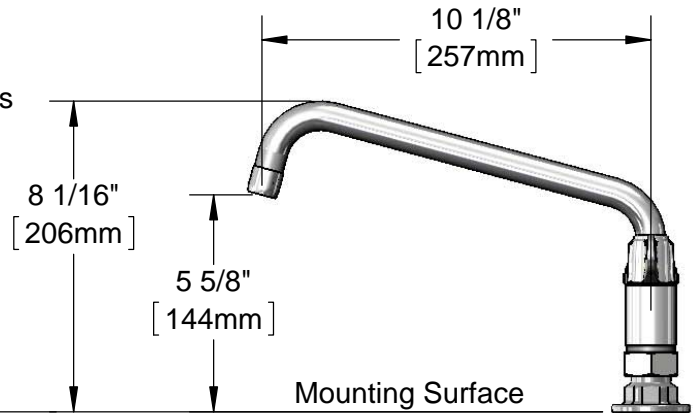
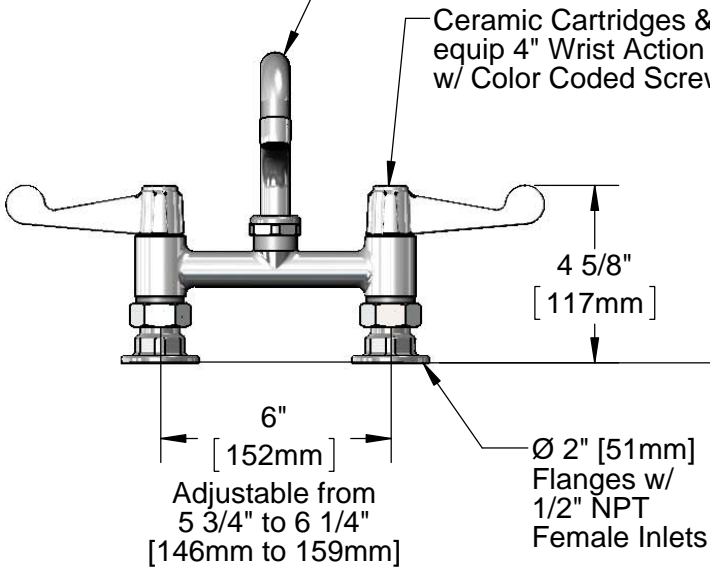
Contractor \_\_\_\_\_

Architect/Engineer \_\_\_\_\_



**5SP-10**  
10" equip Swing Nozzle  
w/ Laminar Flow Device.  
Rigid Conversion Requires  
**014200-45** Lock Washer  
(Sold Separately)

Ceramic Cartridges &  
equip 4" Wrist Action Handles  
w/ Color Coded Screws



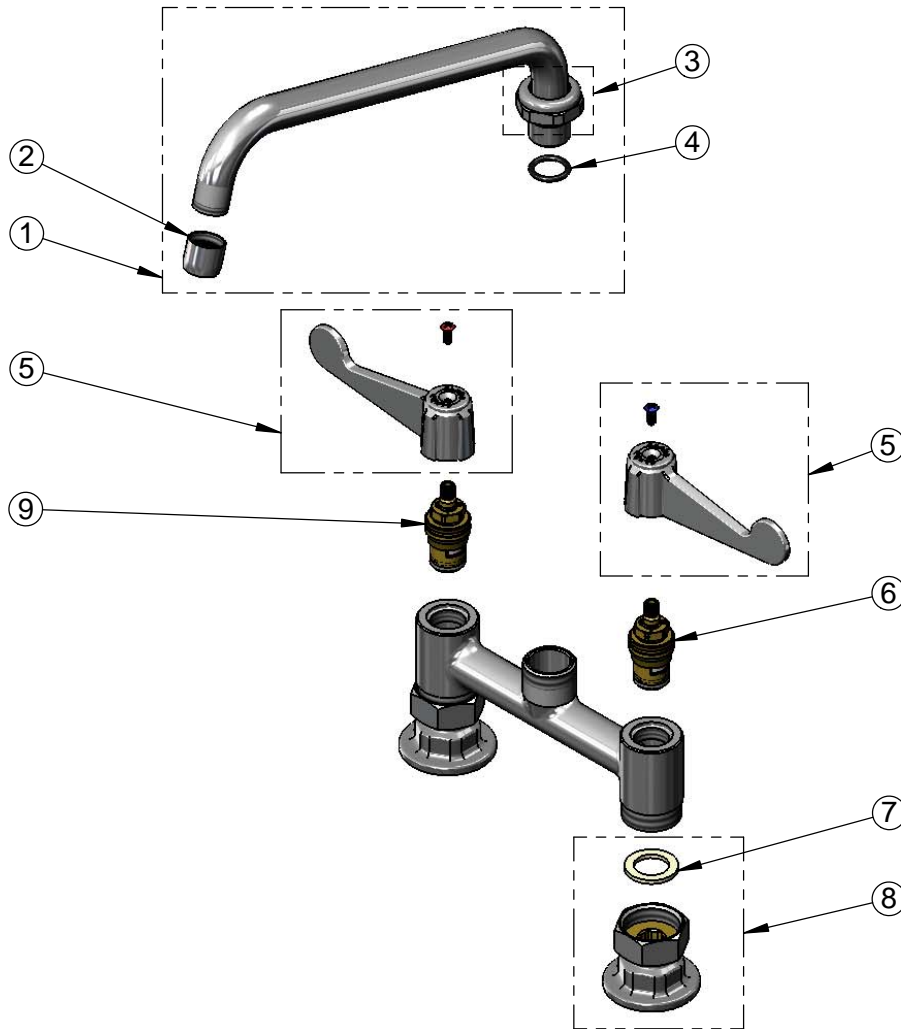
Model Number <b>5F-6DWX10</b>	Date 01/16/14	Scale 1:5	Drawn KJG	Checked DHL	Approved JHB
----------------------------------	------------------	--------------	--------------	----------------	-----------------

Product Specifications:  
6" Deck Mount Mixing Faucet, Ceramic Cartridges,  
equip 4" Wrist Action Handles, 10" equip Swing Nozzle  
& 1/2" NPT Female Inlets



equip Foodservice Accessories  
2 Saddleback Cove, P.O. Box 1088  
Travelers Rest, South Carolina 29690  
Phone: 800.891.4808 Fax: 800.868.0084

ITEM NO.	SALES NO.	DESCRIPTION
1	5SP-10	10" equip Swing Nozzle
2	014250-45	Laminar Flow Device
3	013839-25	equip Swivel Nut
4	013848-45	equip Swivel Piece O-ring
5	5-HDL-W	equip 4" Wrist Action Handle w/ Color Coded Screws
6	013788-45	equip Ceramic Cartridge, LTC
7	001019-45	Coupling Nut Washer
8	00AA	1/2" NPT Female Eccentric Flange
9	013787-45	equip Ceramic Cartridge, RTC



Model Number <b>5F-6DWX10</b>	Date <b>01/16/14</b>	Scale <b>NTS</b>	Drawn <b>KJG</b>	Checked <b>DHL</b>	Approved <b>JHB</b>
----------------------------------	-------------------------	---------------------	---------------------	-----------------------	------------------------



Product Specifications:

**6" Deck Mount Mixing Faucet, Ceramic Cartridges,  
equip 4" Wrist Action Handles, 10" equip Swing Nozzle  
& 1/2" NPT Female Inlets**

equip Foodservice Accessories  
2 Saddleback Cove, P.O. Box 1088  
Travelers Rest, South Carolina 29690  
Phone: 800.891.4808 Fax: 800.868.0084