

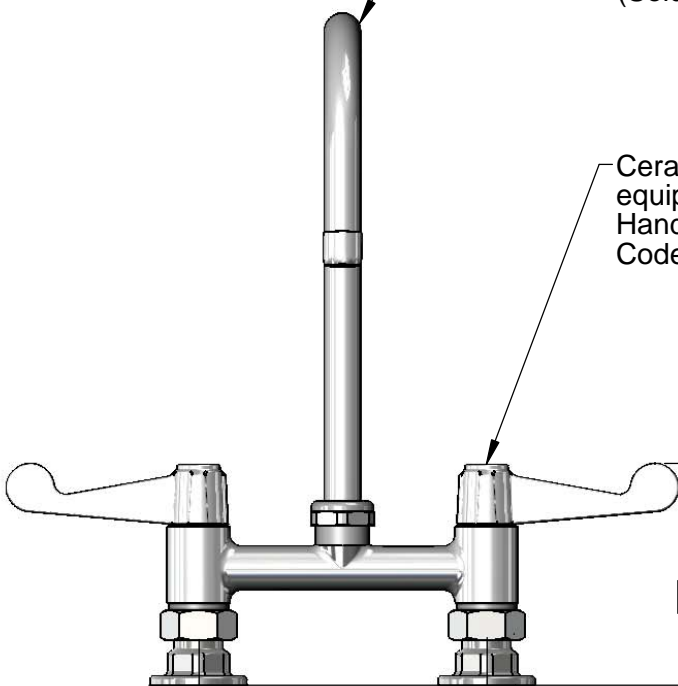
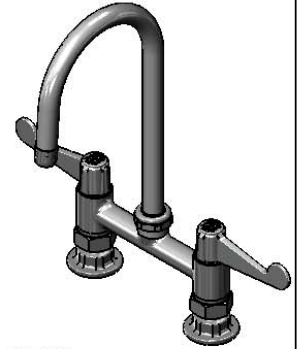


ADA Compliant

14"
[356mm]

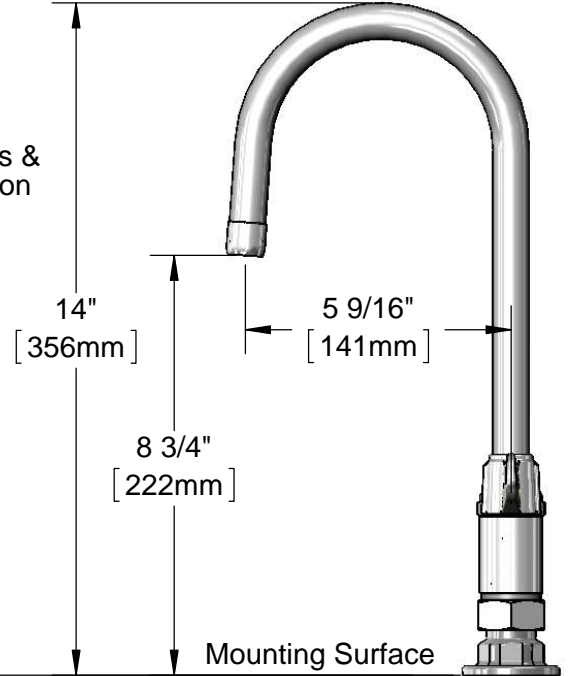


5SP-05
5 1/2" equip Swivel Gooseneck
w/ Laminar Flow Device.
Rigid Conversion Requires
014200-45 Lock Washer
(Sold Separately)



Ceramic Cartridges &
equip 4" Wrist Action
Handles w/ Color
Coded Screws

4 5/8"
[117mm]



14"
[356mm]

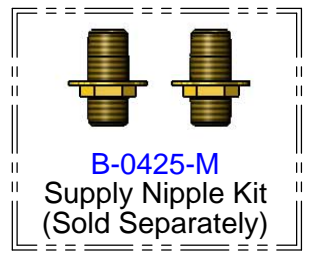
5 9/16"
[141mm]

8 3/4"
[222mm]

Mounting Surface

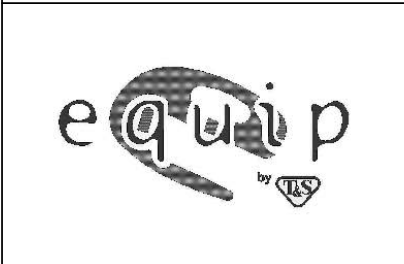
6"
[152mm]
Adjustable from
5 3/4" to 6 1/4"
[146mm to 159mm]

Ø 2" [51mm]
Flanges w/
1/2" NPT
Female Inlets



B-0425-M
Supply Nipple Kit
(Sold Separately)

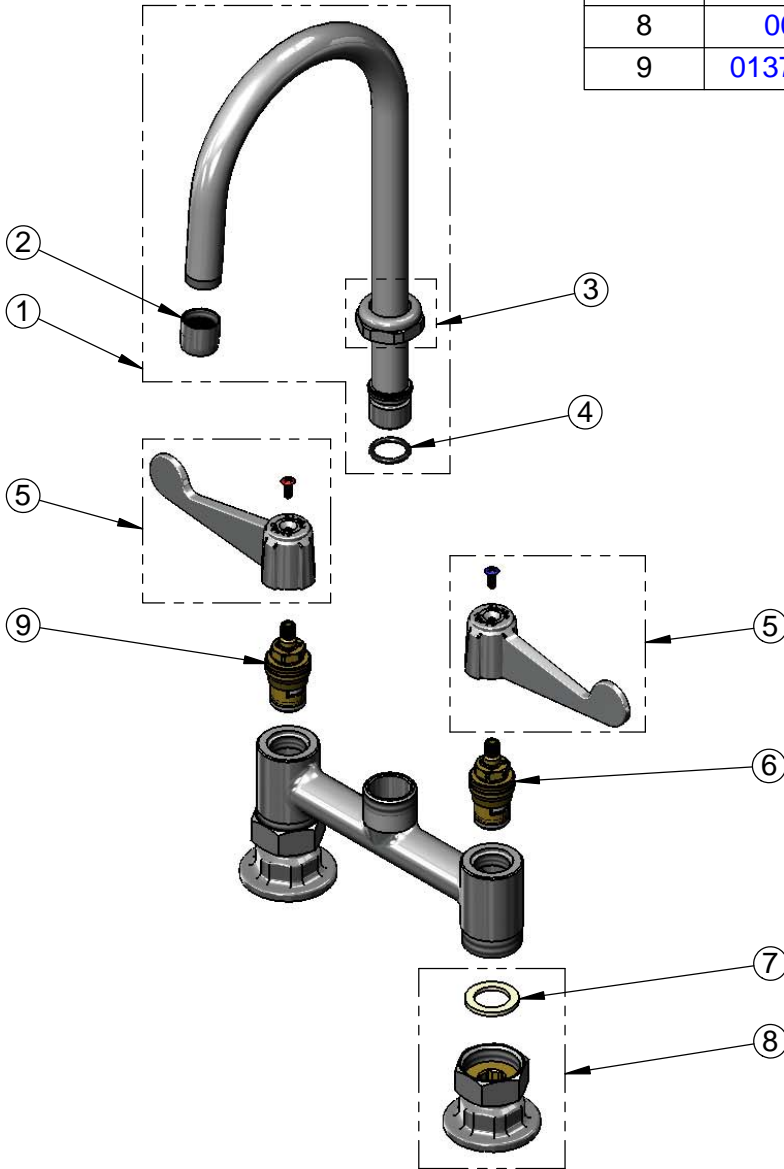
Model Number 5F-6DWX05	Date 01/16/14	Scale 1:4	Drawn KJG	Checked DHL	Approved JHB
----------------------------------	------------------	--------------	--------------	----------------	-----------------



Product Specifications:
**6" Center Deck Mount Mixing Faucet, Ceramic Cartridges,
 equip 4" Wrist Action Handles, 5 1/2" equip Swivel Gooseneck,
 & 1/2" NPT Female Inlets**

equip Foodservice Accessories
 2 Saddleback Cove, P.O. Box 1088
 Travelers Rest, South Carolina 29690
 Phone: 800.891.4808 Fax: 800.868.0084

ITEM NO.	SALES NO.	DESCRIPTION
1	5SP-05	5 1/2" equip Swivel Gooseneck
2	014250-45	Laminar Flow Device
3	013839-25	equip Swivel Nut
4	013848-45	equip Swivel Piece O-ring
5	5-HDL-W	equip 4" Wrist Action Handle w/ Color Coded Screws
6	013788-45	equip Ceramic Cartridge, LTC
7	001019-45	Coupling Nut Washer
8	00AA	1/2" NPT Female Eccentric Flange
9	013787-45	equip Ceramic Cartridge, RTC



Model Number 5F-6DWX05	Date 01/16/14	Scale NTS	Drawn KJG	Checked DHL	Approved JHB
----------------------------------	-------------------------	---------------------	---------------------	-----------------------	------------------------



Product Specifications:
**6" Center Deck Mount Mixing Faucet, Ceramic Cartridges,
 equip 4" Wrist Action Handles, 5 1/2" equip Swivel Gooseneck,
 & 1/2" NPT Female Inlets**

equip Foodservice Accessories
 2 Saddleback Cove, P.O. Box 1088
 Travelers Rest, South Carolina 29690
 Phone: 800.891.4808 Fax: 800.868.0084