



ADA Compliant

This Space for Architect/Engineer Approval

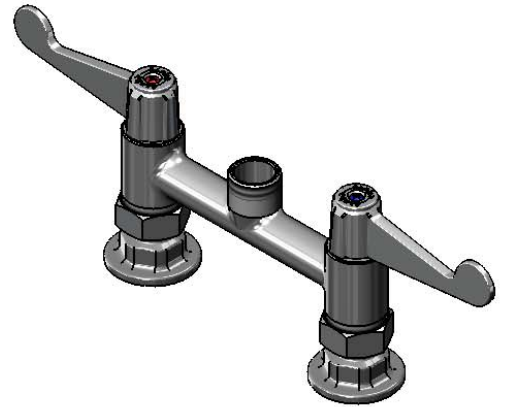
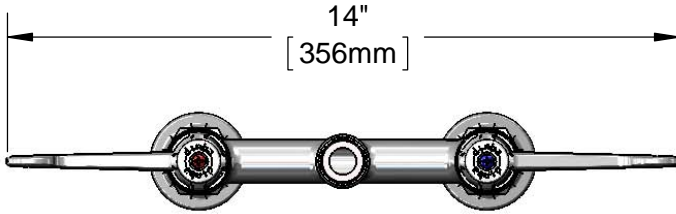
Job Name _____ Date _____

Model Specified _____ Quantity _____

Customer/Wholesaler _____

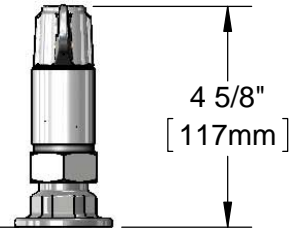
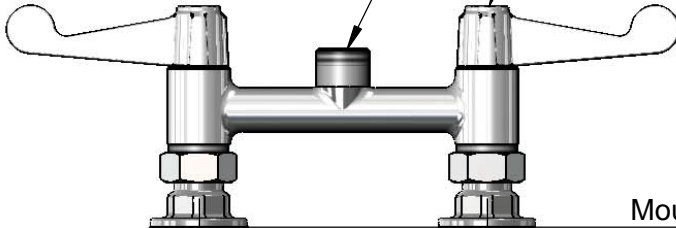
Contractor _____

Architect/Engineer _____



Swivel Outlet Accepts
equip Swing Nozzles,
Rigid Conversion Requires
014200-45 Lock Washer
(Sold Separately)

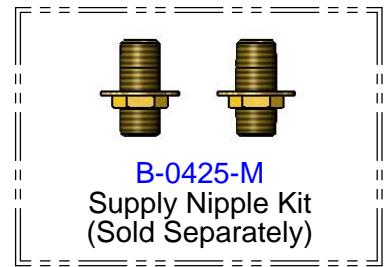
Ceramic Cartridges &
equip 4" Wrist Action Handles
w/ Color Coded Screws



Mounting Surface

6"
[152mm]
Adjustable from
5 3/4" to 6 1/4"
[146mm to 159mm]

Ø 2" [51mm]
Flanges w/ 1/2" NPT
Female Inlets



B-0425-M
Supply Nipple Kit
(Sold Separately)

Model Number
5F-6DWX00

Date
01/16/14

Scale
1:4

Drawn
KJG

Checked
DHL

Approved
JHB

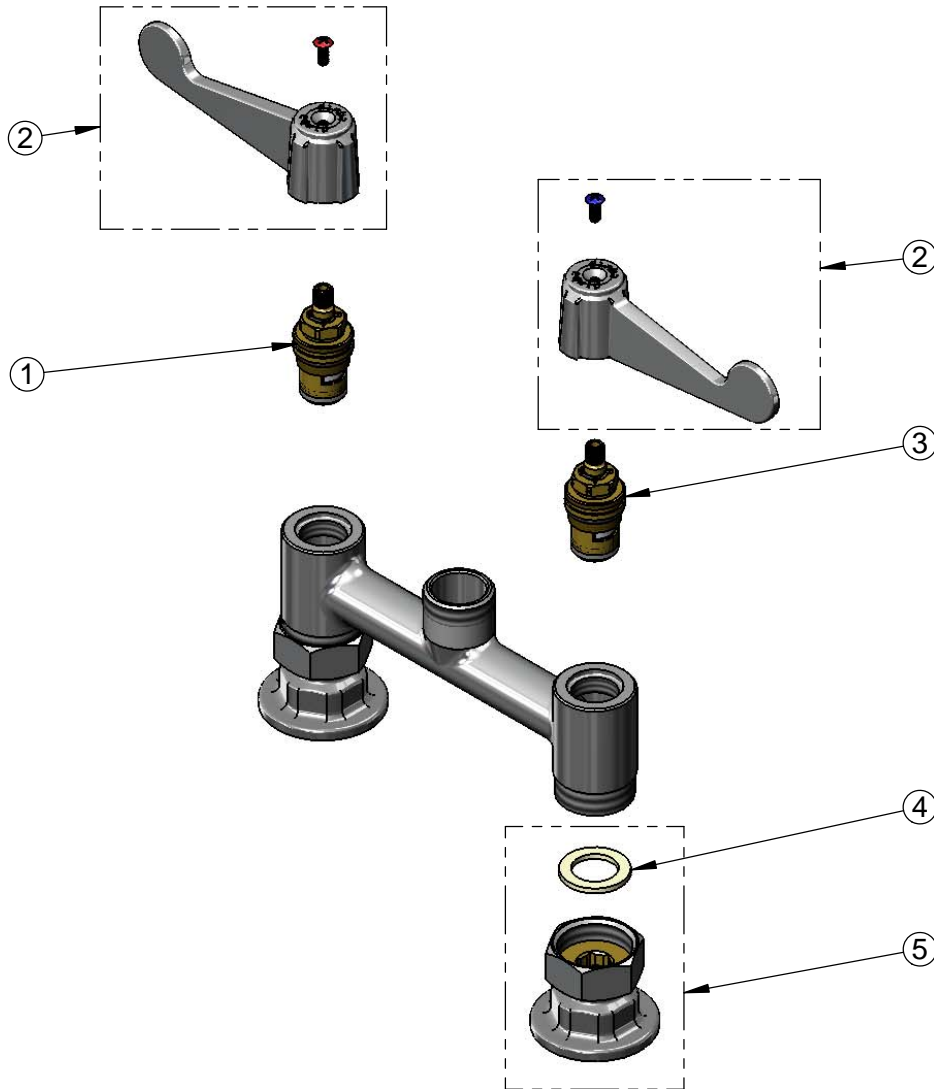


Product Specifications:

6" Deck Mount Faucet, Ceramic Cartridges,
equip 4" Wrist Action Handles, 1/2" NPT Female Inlets, & Less Nozzle

equip Foodservice Accessories
2 Saddleback Cove, P.O. Box 1088
Travelers Rest, South Carolina 29690
Phone: 800.891.4808 Fax: 800.868.0084

ITEM NO.	SALES NO.	DESCRIPTION
1	013787-45	equip Ceramic Cartridge, RTC
2	5-HDL-W	equip 4" Wrist Action Handle w/ Color Coded Screws
3	013788-45	equip Ceramic Cartridge, LTC
4	001019-45	Coupling Nut Washer
5	00AA	1/2" NPT Female Eccentric Flange



Model Number 5F-6DWX00	Date 01/16/14	Scale NTS	Drawn KJG	Checked DHL	Approved JHB
----------------------------------	------------------	--------------	--------------	----------------	-----------------



Product Specifications:
**6" Deck Mount Faucet, Ceramic Cartridges,
 equip 4" Wrist Action Handles, 1/2" NPT Female Inlets, & Less Nozzle**

equip Foodservice Accessories
 2 Saddleback Cove, P.O. Box 1088
 Travelers Rest, South Carolina 29690
 Phone: 800.891.4808 Fax: 800.868.0084