



ADA Compliant

This Space for Architect/Engineer Approval

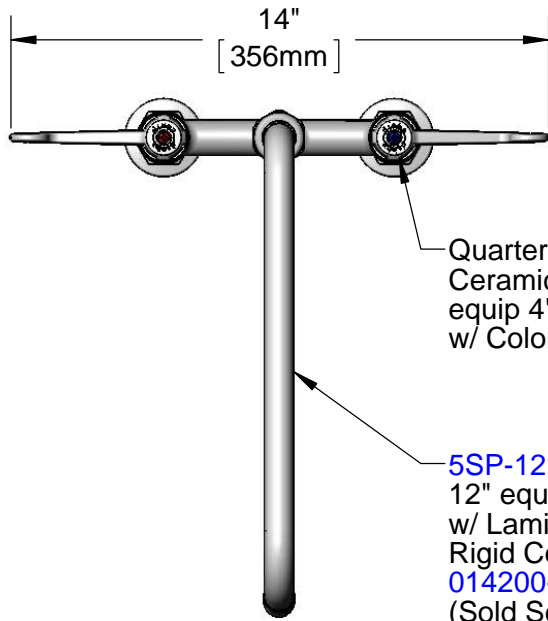
Job Name _____ Date _____

Model Specified _____ Quantity _____

Customer/Wholesaler _____

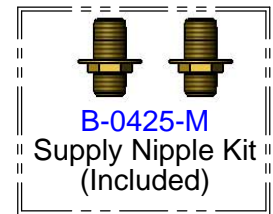
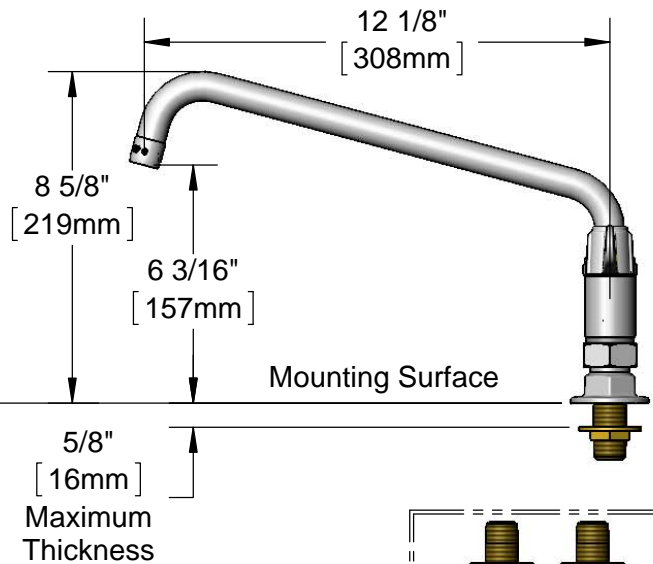
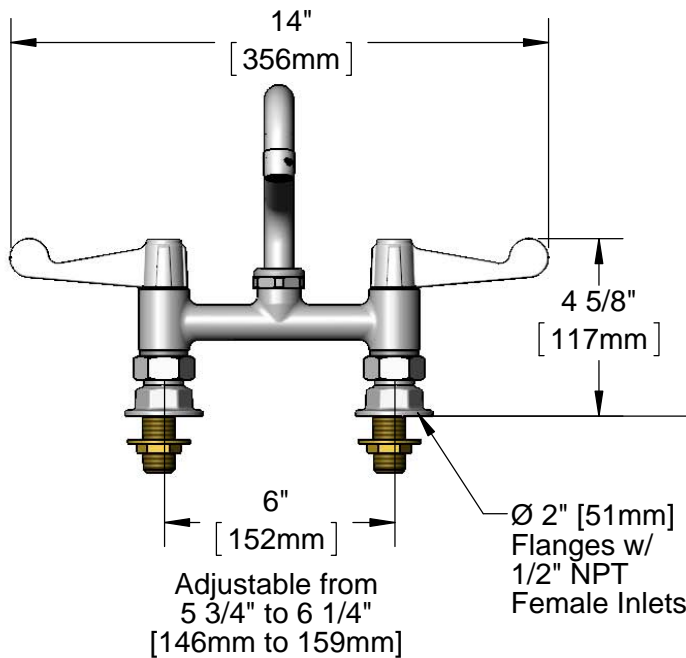
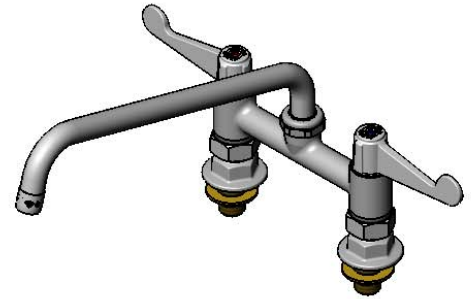
Contractor _____

Architect/Engineer _____



Quarter-Turn Ceramic Cartridges & equip 4" Wrist Action Handles w/ Color Coded Screws

5SP-12
12" equip Swing Nozzle w/ Laminar Flow Device. Rigid Conversion Requires **014200-45** Lock Washer (Sold Separately)



Model Number

5F-6DWS12

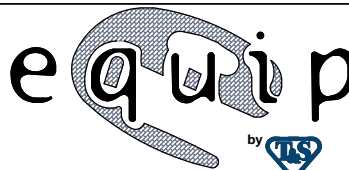
Product Specifications:

6" Deck Mount Mixing Faucet, Ceramic Cartridges, equip 4" Wrist Action Handles, 12" equip Swing Nozzle & 1/2" NPT Male Supply Inlets

Product Compliance:

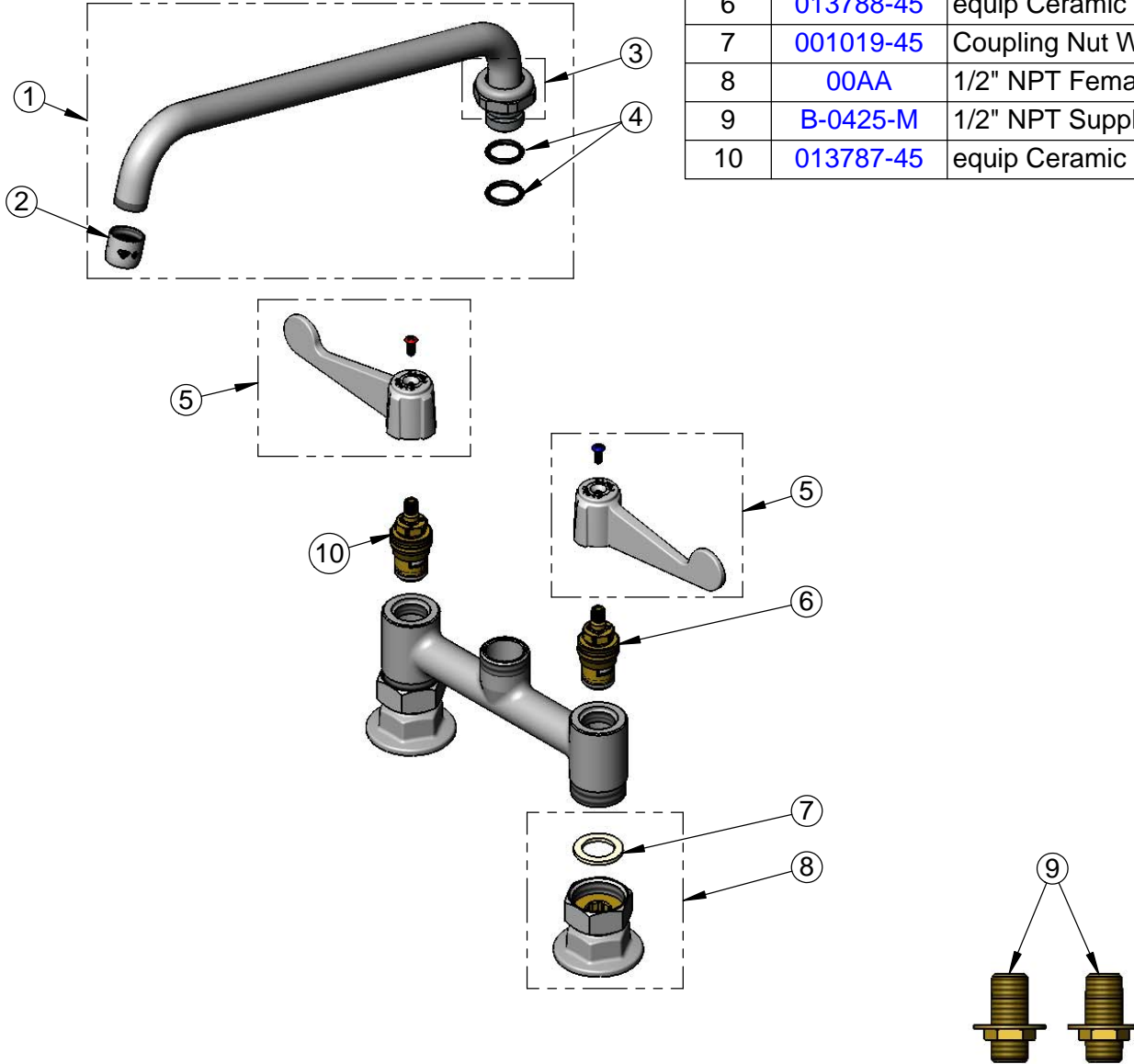
ASME A112.18.1 / CSA B125.1
NSF 61 - Section 9
NSF 372 (Low Lead Content)
ANSI A117.1 (ADA)

equip
Foodservice
Accessories



2 Saddleback Cove, P.O. Box 1088
Travelers Rest, South Carolina 29690
Phone: 800.891.4808 Fax: 800.868.0084
equip.tsbrass.com

ITEM NO.	SALES NO.	DESCRIPTION
1	5SP-12	12" equip Swing Nozzle
2	014250-45	Laminar Flow Device
3	013839-25	equip Swivel Nut
4	013848-45	equip Swivel Piece O-ring
5	5-HDL-W	equip 4" Wrist Action Handle w/ Color Coded Screws
6	013788-45	equip Ceramic Cartridge, LTC
7	001019-45	Coupling Nut Washer
8	00AA	1/2" NPT Female Eccentric Flange
9	B-0425-M	1/2" NPT Supply Nipple Kit (2)
10	013787-45	equip Ceramic Cartridge, RTC



Model Number

5F-6DWS12

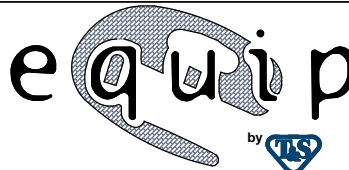
Product Specifications:

6" Deck Mount Mixing Faucet, Ceramic Cartridges, equip 4" Wrist Action Handles, 12" equip Swing Nozzle & 1/2" NPT Male Supply Inlets

Product Compliance:

ASME A112.18.1 / CSA B125.1
NSF 61 - Section 9
NSF 372 (Low Lead Content)
ANSI A117.1 (ADA)

equip
Foodservice
Accessories



2 Saddleback Cove, P.O. Box 1088
Travelers Rest, South Carolina 29690
Phone: 800.891.4808 Fax: 800.868.0084
equip.tsbrass.com