



ADA Compliant

This Space for Architect/Engineer Approval

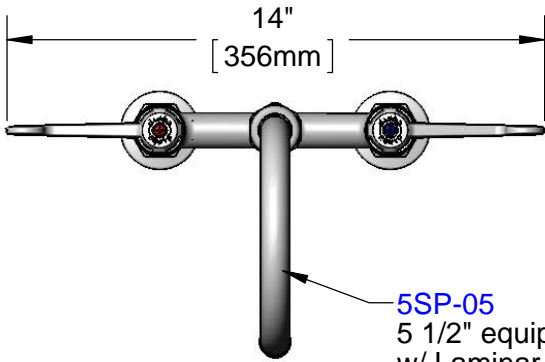
Job Name _____ Date _____

Model Specified _____ Quantity _____

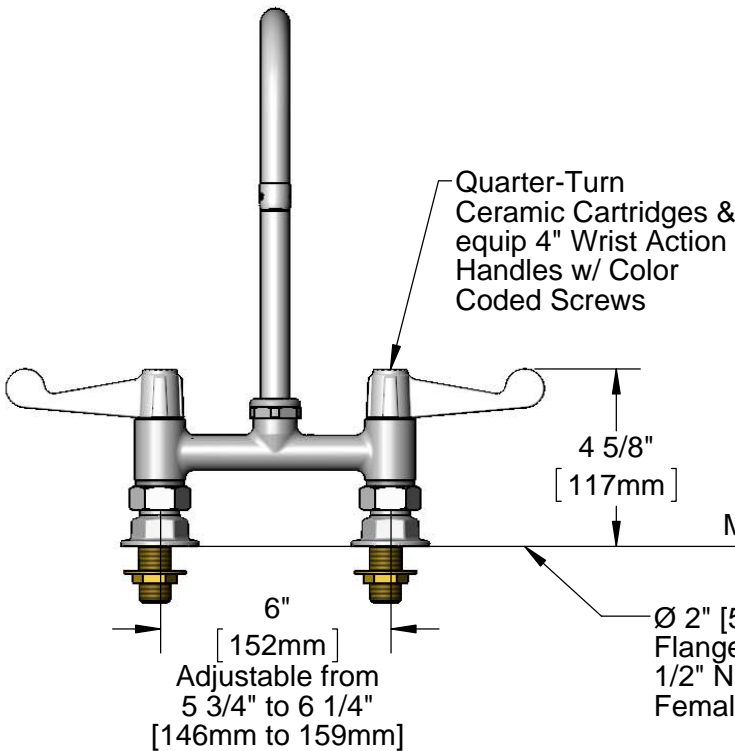
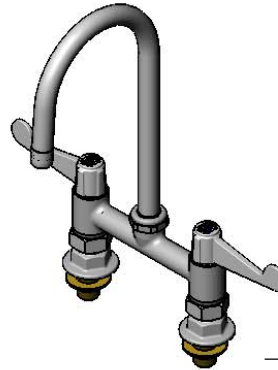
Customer/Wholesaler _____

Contractor _____

Architect/Engineer _____

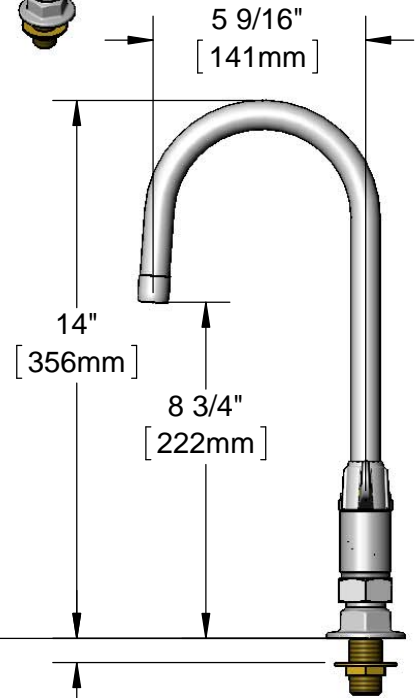


5SP-05
5 1/2" equip Swivel Gooseneck
w/ Laminar Flow Device.
Rigid Conversion Requires
014200-45 Lock Washer
(Sold Separately)



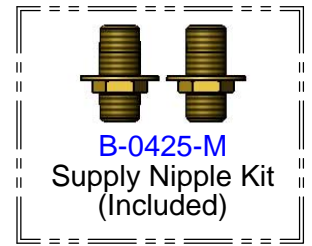
Quarter-Turn
Ceramic Cartridges &
equip 4" Wrist Action
Handles w/ Color
Coded Screws

Mounting Surface



Ø 2" [51mm]
Flanges w/
1/2" NPT
Female Inlets

5/8"
[16mm]
Maximum
Thickness



Model Number

5F-6DWS05

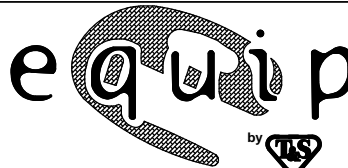
Product Specifications:

6" Deck Mount Mixing Faucet, Ceramic Cartridges,
equip 4" Wrist Action Handles, 5 1/2" equip Swivel
Gooseneck, & 1/2" NPT Male Supply Inlets

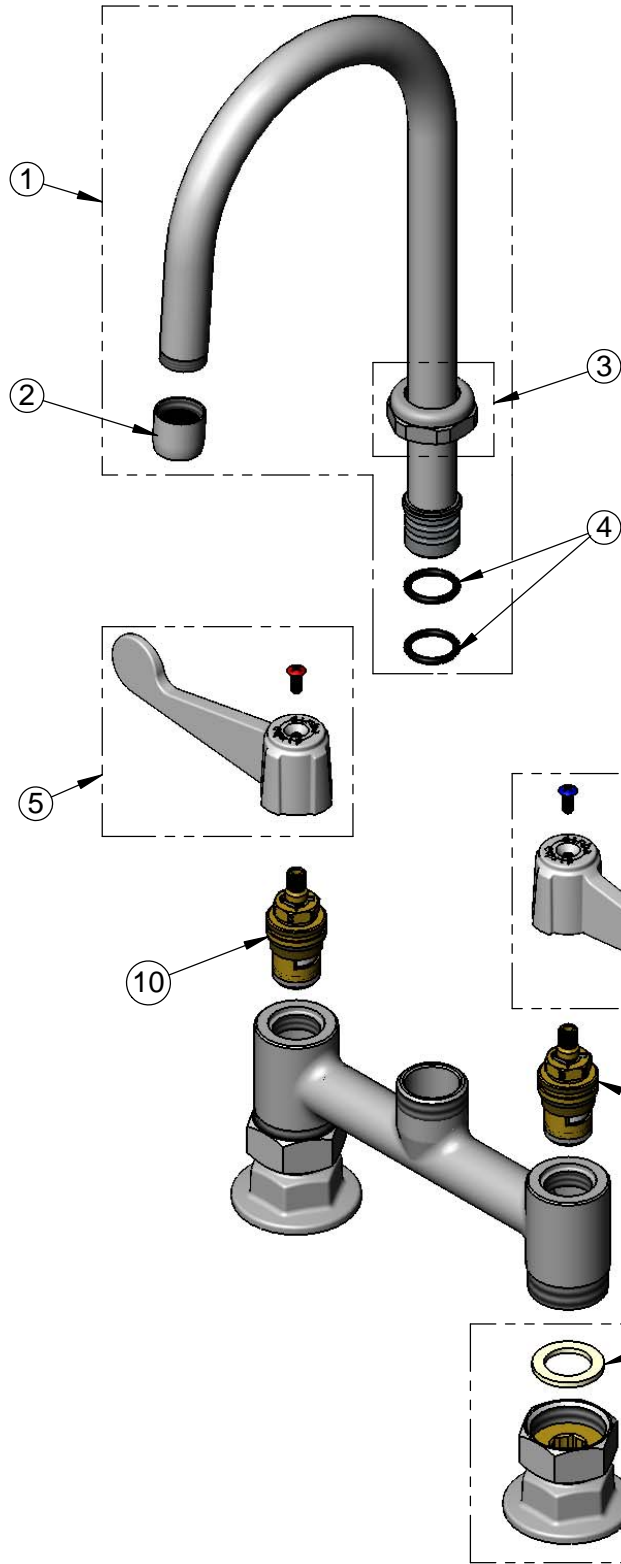
Product Compliance:

ASME A112.18.1 / CSA B125.1
NSF 61 - Section 9
NSF 372 (Low Lead Content)
ANSI A117.1 (ADA)

equip
Foodservice
Accessories



2 Saddleback Cove, P.O. Box 1088
Travelers Rest, South Carolina 29690
Phone: 800.891.4808 Fax: 800.868.0084
equip.tsbrass.com



| ITEM NO. | SALES NO. | DESCRIPTION |
|----------|-----------|--|
| 1 | 5SP-05 | 5 1/2" equip Swivel Gooseneck |
| 2 | 014250-45 | Laminar Flow Device |
| 3 | 013839-25 | equip Swivel Nut |
| 4 | 013848-45 | equip Swivel Piece O-ring |
| 5 | 5-HDL-W | equip 4" Wrist Action Handle w/ Color Coded Screws |
| 6 | 013788-45 | equip Ceramic Cartridge, LTC |
| 7 | 001019-45 | Coupling Nut Washer |
| 8 | 00AA | 1/2" NPT Female Eccentric Flange |
| 9 | B-0425-M | 1/2" NPT Supply Nipple Kit (2) |
| 10 | 013787-45 | equip Ceramic Cartridge, RTC |

Model Number

5F-6DWS05

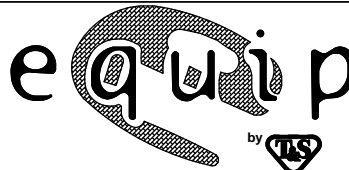
Product Specifications:

6" Deck Mount Mixing Faucet, Ceramic Cartridges, equip 4" Wrist Action Handles, 5 1/2" equip Swivel Gooseneck, & 1/2" NPT Male Supply Inlets

Product Compliance:

ASME A112.18.1 / CSA B125.1
NSF 61 - Section 9
NSF 372 (Low Lead Content)
ANSI A117.1 (ADA)

equip
Foodservice
Accessories



2 Saddleback Cove, P.O. Box 1088
Travelers Rest, South Carolina 29690
Phone: 800.891.4808 Fax: 800.868.0084
equip.tsbrass.com