



**ADA Compliant**

*This Space for Architect/Engineer Approval*

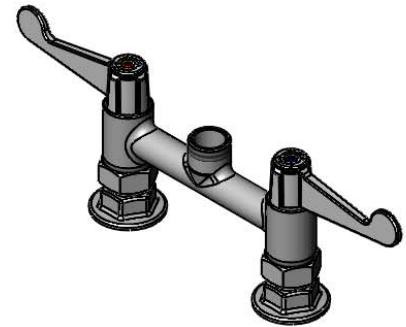
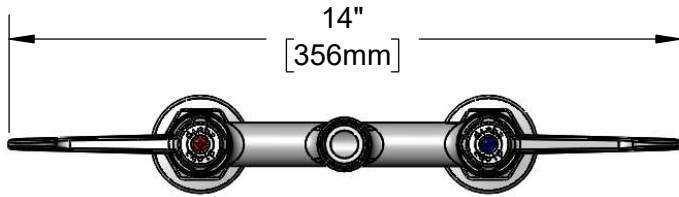
Job Name \_\_\_\_\_ Date \_\_\_\_\_

Model Specified \_\_\_\_\_ Quantity \_\_\_\_\_

Customer/Wholesaler \_\_\_\_\_

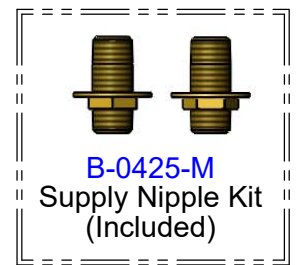
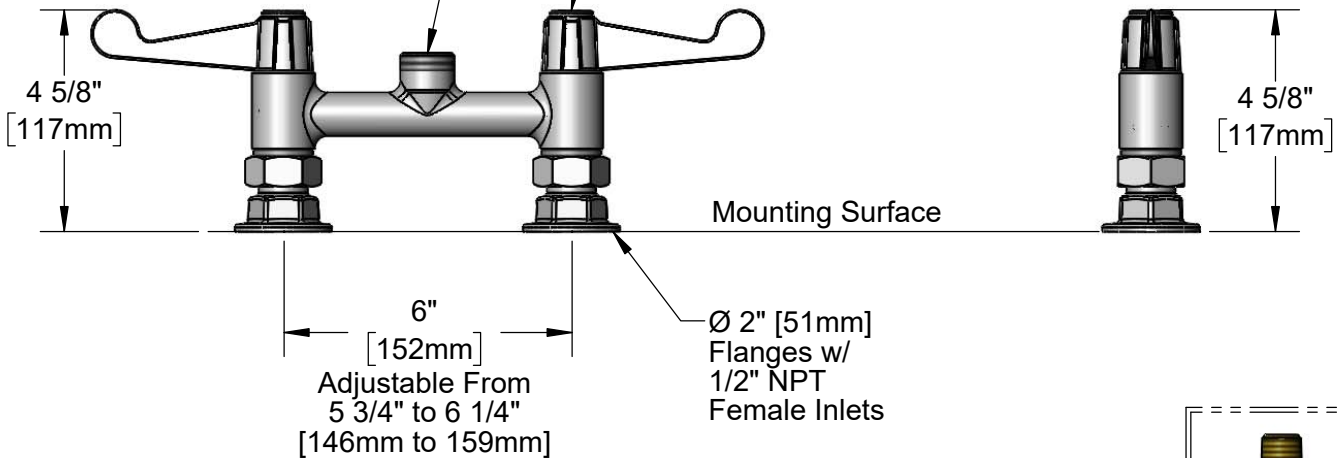
Contractor \_\_\_\_\_

Architect/Engineer \_\_\_\_\_



Swivel Outlet Accepts  
equip Swing Nozzles.  
Rigid Conversion Requires  
**014200-45** Lock Washer  
(Sold Separately)

Quarter-Turn  
Ceramic Cartridges &  
equip 4" Wrist Action Handles  
w/ Color Coded Screws



Model Number

**5F-6DWS00**

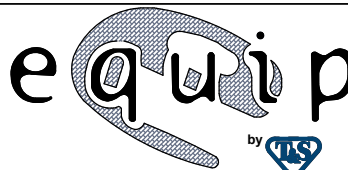
Product Specifications:

**6" Deck Mount Mixing Faucet, Quarter-Turn Ceramic Cartridges, equip 4" Wrist Action Handles & 1/2" NPT Male Supply Inlets, Less Nozzle**

Product Compliance:

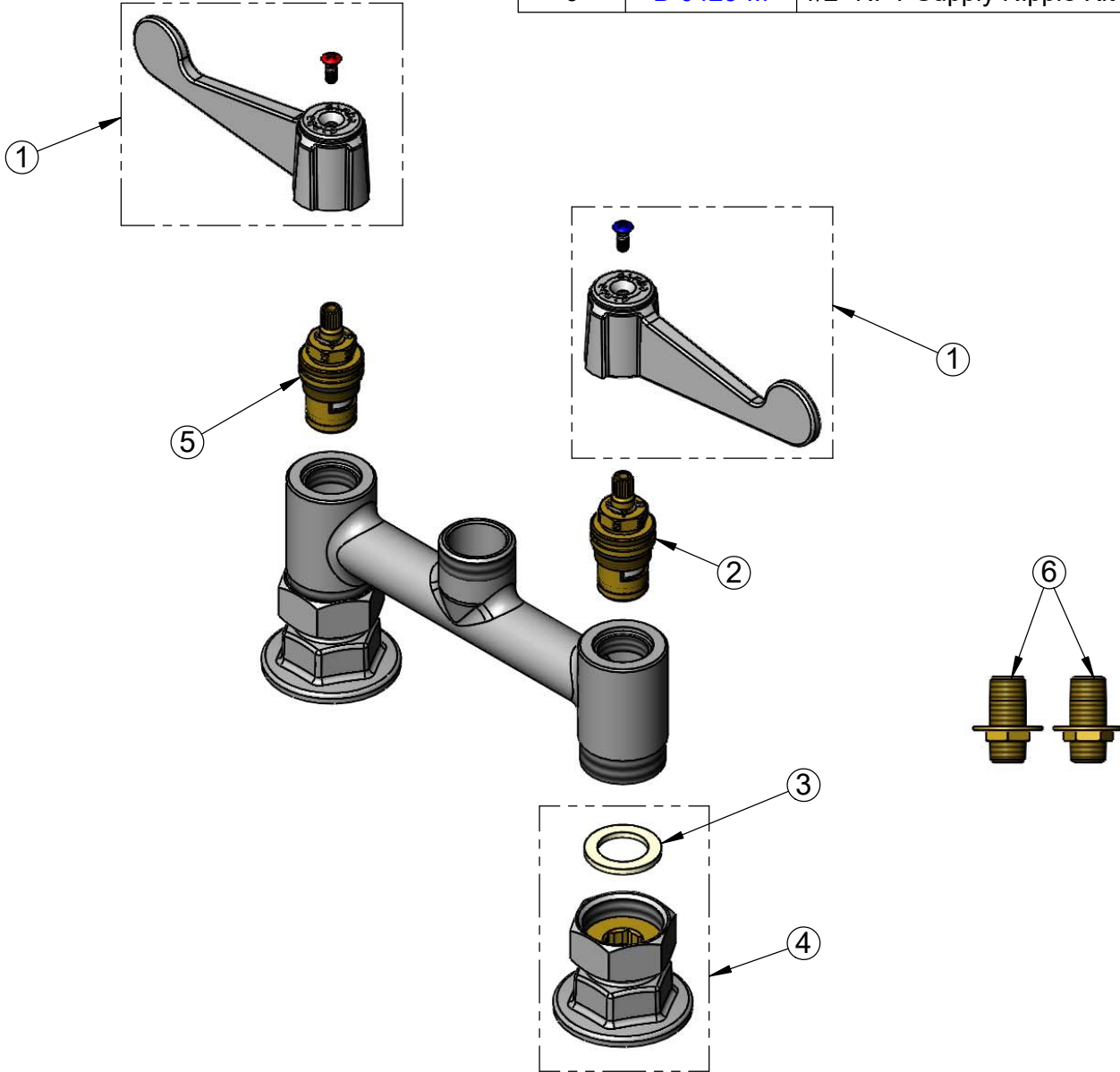
ASME A112.18.1 / CSA B125.1  
NSF 61 - Section 9  
NSF 372 (Low Lead Content)  
ANSI A117.1 (ADA)

equip  
Foodservice  
Accessories



2 Saddleback Cove, P.O. Box 1088  
Travelers Rest, South Carolina 29690  
Phone: 800.891.4808 Fax: 800.868.0084  
equip.tsbrass.com

ITEM NO.	SALES NO.	DESCRIPTION
1	5-HDL-W	equip 4" Wrist Action Handle w/ Color Coded Screws
2	013788-45	equip Ceramic Cartridge, LTC
3	001019-45	Coupling Nut Washer
4	00AA	1/2" NPT Female Eccentric Flange
5	013787-45	equip Ceramic Cartridge, RTC
6	B-0425-M	1/2" NPT Supply Nipple Kit (2)



Model Number

**5F-6DWS00**

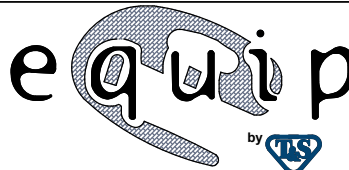
Product Specifications:

6" Deck Mount Mixing Faucet, Quarter-Turn Ceramic Cartridges, equip 4" Wrist Action Handles & 1/2" NPT Male Supply Inlets, Less Nozzle

Product Compliance:

ASME A112.18.1 / CSA B125.1  
NSF 61 - Section 9  
NSF 372 (Low Lead Content)  
ANSI A117.1 (ADA)

equip  
Foodservice  
Accessories



2 Saddleback Cove, P.O. Box 1088  
Travelers Rest, South Carolina 29690  
Phone: 800.891.4808 Fax: 800.868.0084  
equip.tsbrass.com