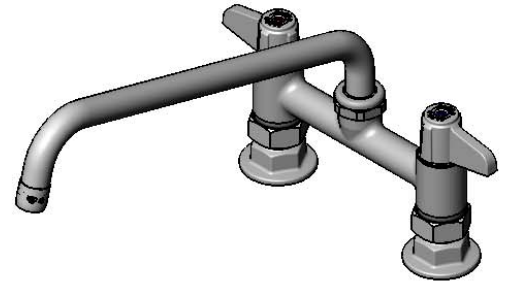


ADA Compliant

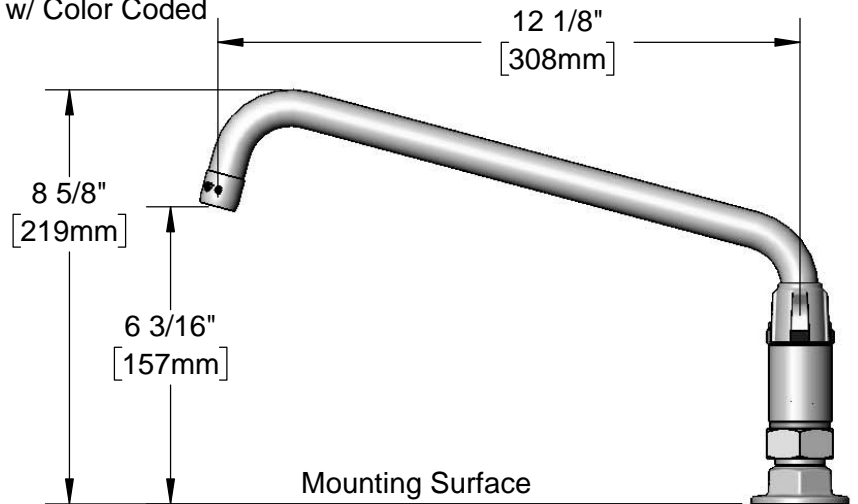
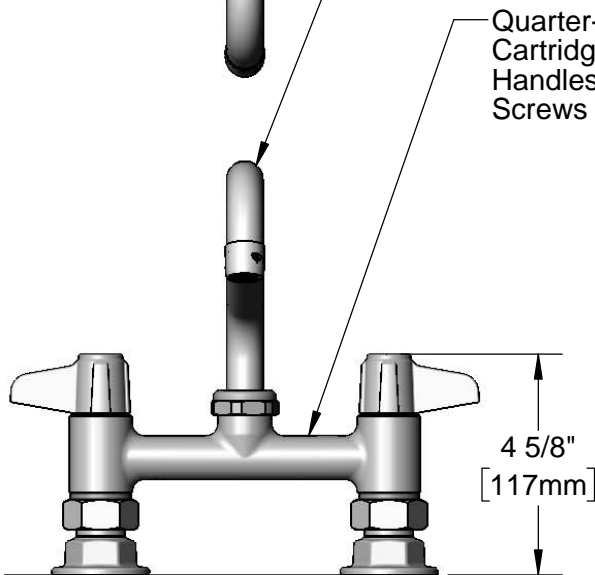
This Space for Architect/Engineer Approval

Job Name _____ Date _____
 Model Specified _____ Quantity _____
 Customer/Wholesaler _____
 Contractor _____
 Architect/Engineer _____



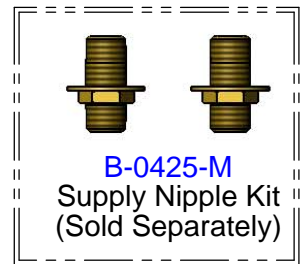
5SP-12
 12" equip Swing Nozzle
 w/ Laminar Flow Device.
 Rigid Conversion Requires
014200-45 Lock Washer
 (Sold Separately)

Quarter-Turn Ceramic
 Cartridges & equip Lever
 Handles w/ Color Coded
 Screws



Adjustable from
 5 3/4" to 6 1/4"
 [146mm to 159mm]

Ø 2" [51mm]
 Flanges w/
 1/2" NPT
 Female Inlets



Model Number

5F-6DLX12

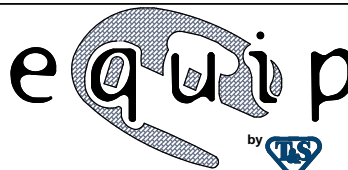
Product Specifications:

6" Deck Mount Mixing Faucet w/ Quarter-Turn Ceramic Cartridges, equip Lever Handles, 12" equip Swing Nozzle & 1/2" NPT Female Inlets

Product Compliance:

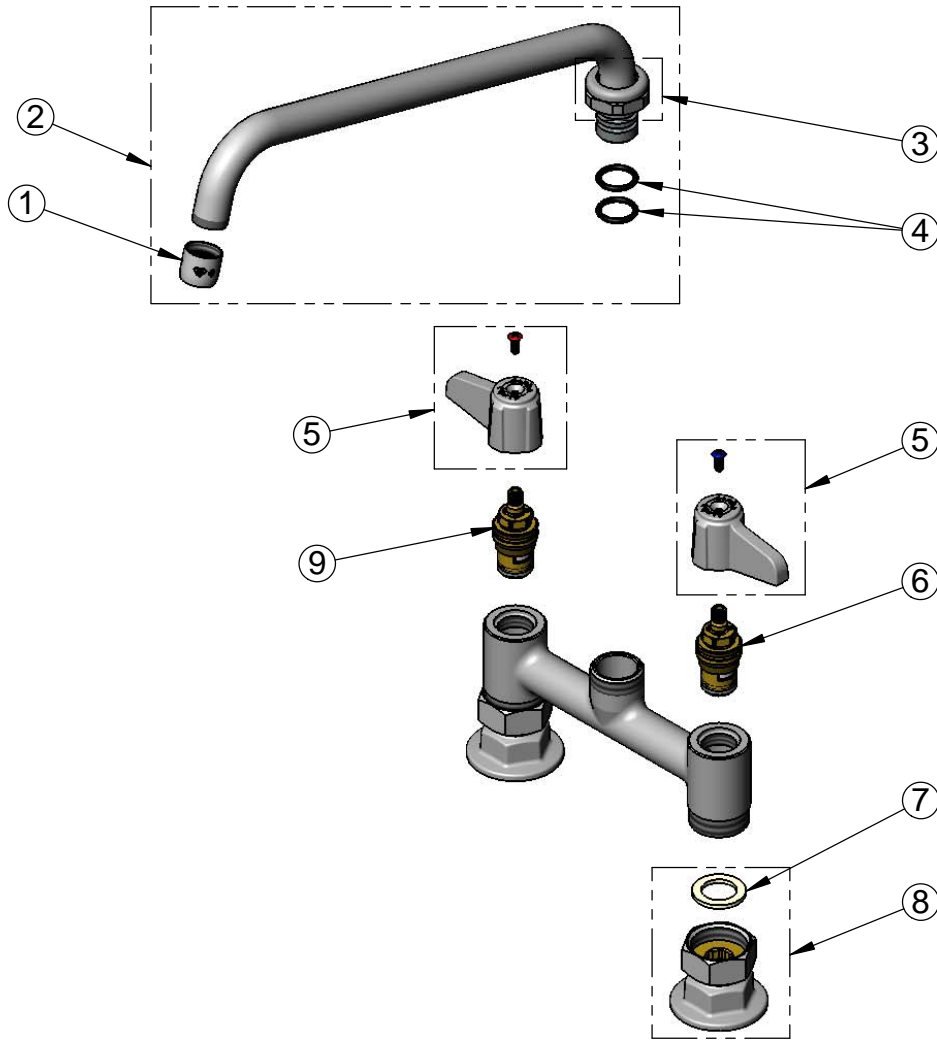
ASME A112.18.1 / CSA B125.1
 NSF 61 - Section 9
 NSF 372 (Low Lead Content)
 ANSI A117.1 (ADA)

equip
 Foodservice
 Accessories



2 Saddleback Cove, P.O. Box 1088
 Travelers Rest, South Carolina 29690
 Phone: 800.891.4808 Fax: 800.868.0084
 equip.tsbrass.com

ITEM NO.	SALES NO.	DESCRIPTION
1	014250-45	Laminar Flow Device
2	5SP-12	12" equip Swing Nozzle
3	013839-25	equip Swivel Nut
4	013848-45	equip Swivel Piece O-Ring
5	5-HDL-L	equip Lever Handle w/ Color Coded Screws
6	013788-45	equip Quarter-Turn Ceramic Cartridge, LTC
7	001019-45	Coupling Nut Washer
8	00AA	1/2" NPT Inlet Flange
9	013787-45	equip Quarter-Turn Ceramic Cartridge, RTC



Model Number

5F-6DLX12

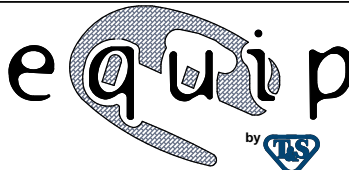
Product Specifications:

6" Deck Mount Mixing Faucet w/ Quarter-Turn Ceramic Cartridges, equip Lever Handles, 12" equip Swing Nozzle & 1/2" NPT Female Inlets

Product Compliance:

ASME A112.18.1 / CSA B125.1
NSF 61 - Section 9
NSF 372 (Low Lead Content)
ANSI A117.1 (ADA)

equip
Foodservice
Accessories



2 Saddleback Cove, P.O. Box 1088
Travelers Rest, South Carolina 29690
Phone: 800.891.4808 Fax: 800.868.0084
equip.tsbrass.com