

*This Space for Architect/Engineer Approval*

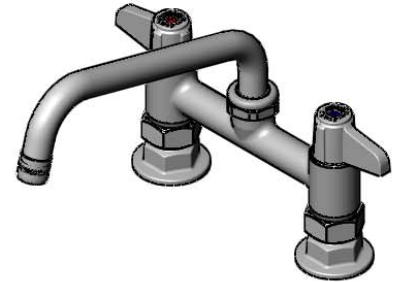
Job Name \_\_\_\_\_ Date \_\_\_\_\_

Model Specified \_\_\_\_\_ Quantity \_\_\_\_\_

Customer/Wholesaler \_\_\_\_\_

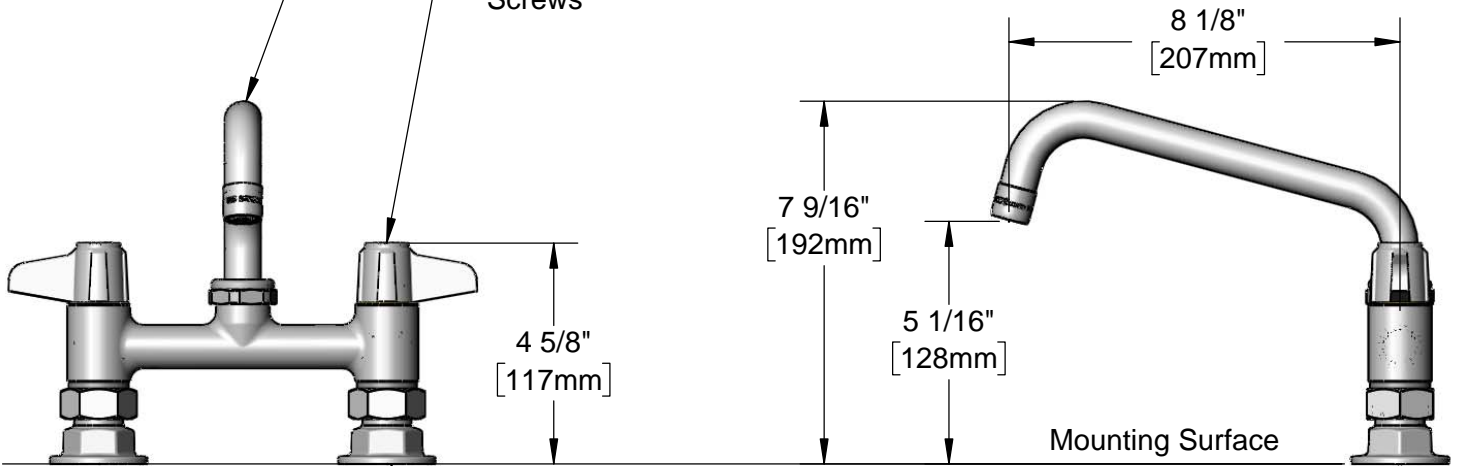
Contractor \_\_\_\_\_

Architect/Engineer \_\_\_\_\_



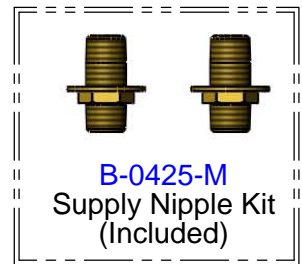
**5SP-08A**  
 8" equip Swing Nozzle  
 w/ 2.2 GPM Aerator.  
 Rigid Conversion Requires  
**014200-45** Lock Washer  
 (Sold Separately)

Quarter-Turn Ceramic  
 Cartridges & equip Lever  
 Handles w/ Color Coded  
 Screws



6" [152mm]  
 Adjustable from  
 5 3/4" to 6 1/4"  
 [146mm to 159mm]

Ø 2" [51mm]  
 Flanges w/  
 1/2" NPT  
 Female Inlets



Rough-In Requirement:  
 (2) Ø 1" [25mm] Mounting Holes

Model Number  
**5F-6DLS08A**

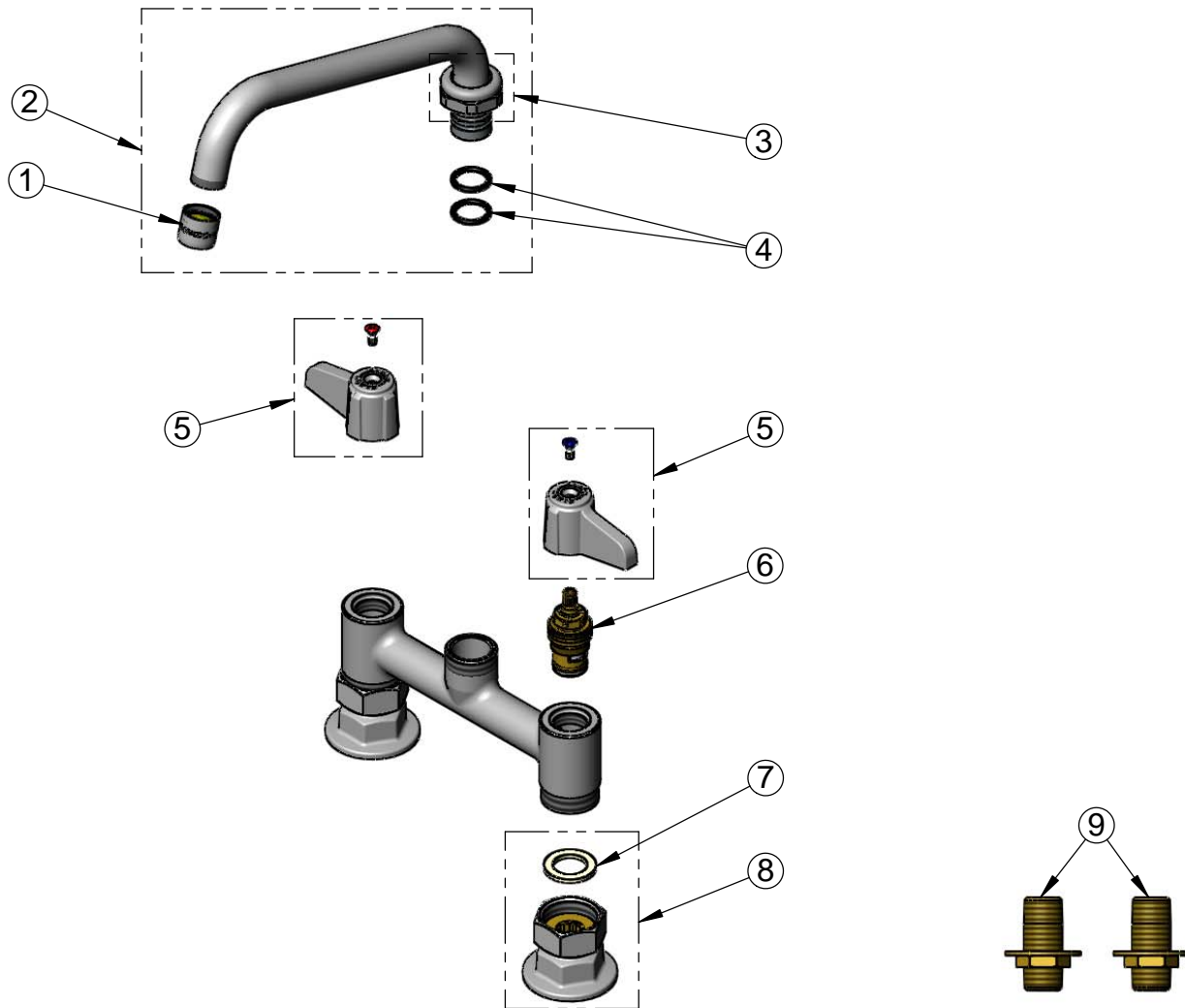
Product Specifications:  
 6" Deck Mount Mixing Faucet, Quarter-Turn Ceramic  
 Cartridges, equip Lever Handles, 8" equip Swing Nozzle,  
 2.2 GPM Aerator & 1/2" NPT Supply Nipple Kit

Product Compliance:  
 ASME A112.18.1 / CSA B125.1  
 NSF 61 - Section 9  
 NSF 372 (Low Lead Content)  
 ANSI A117.1 (ADA)

equip  
 Foodservice  
 Accessories

2 Saddleback Cove, P.O. Box 1088  
 Travelers Rest, South Carolina 29690  
 Phone: 800.891.4808 Fax: 800.868.0084  
 equip.tsbrass.com

ITEM NO.	SALES NO.	DESCRIPTION
1	013838-45	2.2 GPM Aerator, 3/4-27 UN Female
2	5SP-08A	8" equip Swing Nozzle
3	013839-25	equip Swivel Nut
4	013848-45	equip Swivel Piece O-Ring
5	5-HDL-L	equip Lever Handle w/ Color Coded Screws
6	013788-45	equip Quarter-Turn Ceramic Cartridge, LTC
7	001019-45	Coupling Nut Washer
8	00AA	1/2" NPT Female Eccentric Flange
9	B-0425-M	1/2" NPT Supply Nipple Kit (2)
10	013787-45	equip Quarter-Turn Ceramic Cartridge, RTC



Model Number

**5F-6DLS08A**

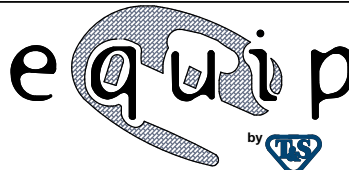
Product Specifications:

6" Deck Mount Mixing Faucet, Quarter-Turn Ceramic Cartridges, equip Lever Handles, 8" equip Swing Nozzle, 2.2 GPM Aerator & 1/2" NPT Supply Nipple Kit

Product Compliance:

ASME A112.18.1 / CSA B125.1  
NSF 61 - Section 9  
NSF 372 (Low Lead Content)  
ANSI A117.1 (ADA)

equip  
Foodservice  
Accessories



2 Saddleback Cove, P.O. Box 1088  
Travelers Rest, South Carolina 29690  
Phone: 800.891.4808 Fax: 800.868.0084  
equip.tsbrass.com