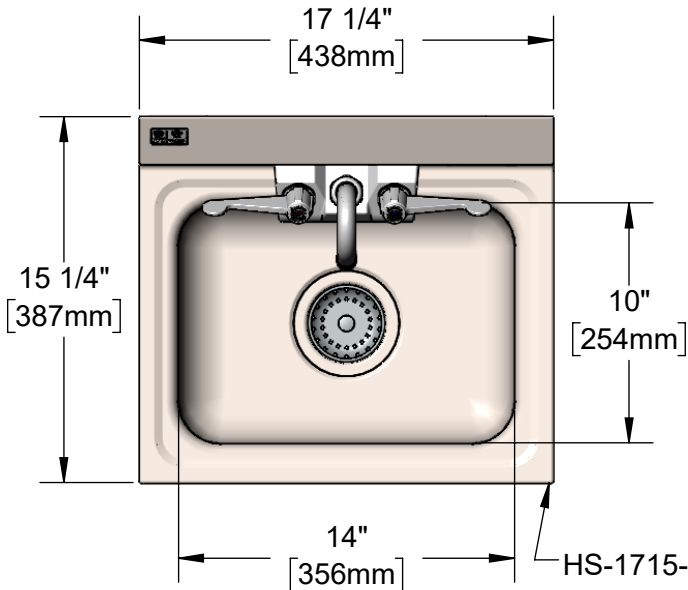




ADA Compliant

This Space for Architect/Engineer Approval

Job Name _____ Date _____
 Model Specified _____ Quantity _____
 Customer/Wholesaler _____
 Contractor _____
 Architect/Engineer _____

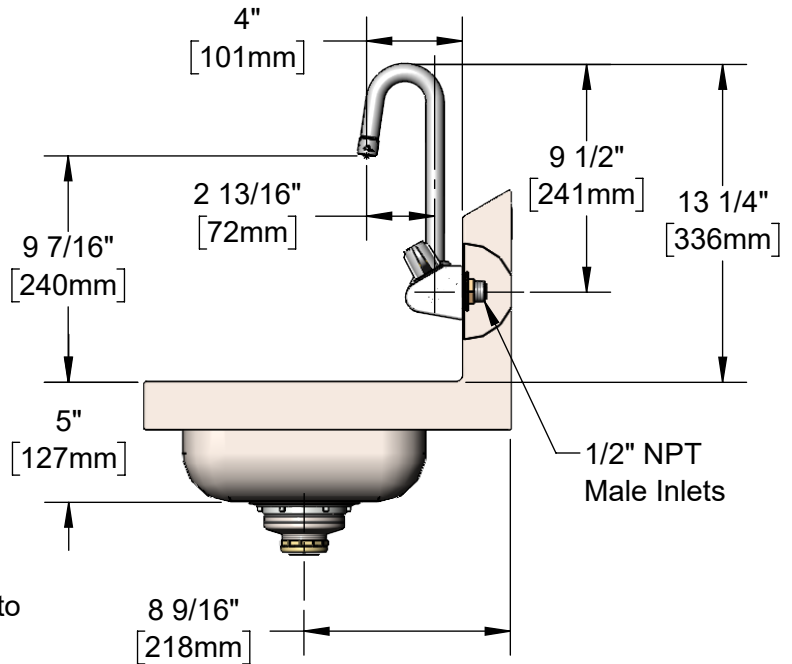
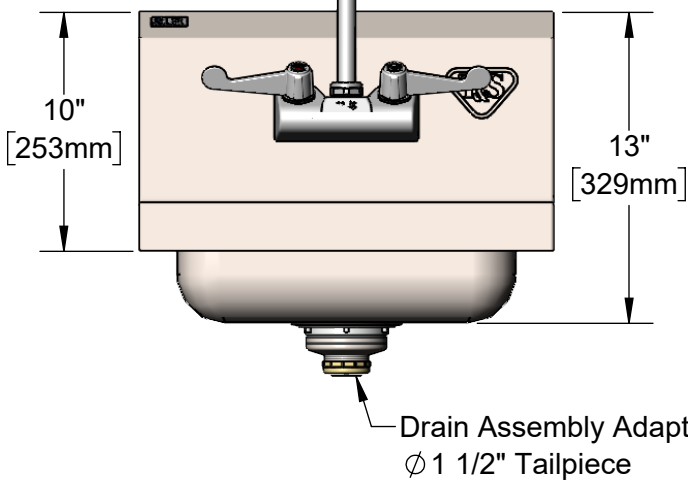


HS-1715-4W
 NSF Approved Stainless Steel Sink
 with 3 1/2" Drain Hole. Supplied
 with Mounting Bracket and Drain
 Assembly w/ Basket Strainer

5F-4WWX03

Manual Wall Mount
Faucet

2.2 GPM Aerator



Model Number

5F-4WWX03-4W

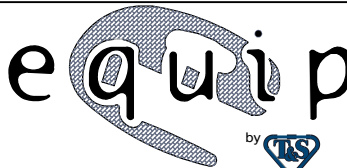
Product Specifications:

Hand Wash Sink w/ Manual Faucet, Stainless Steel Sink / Backsplash,
 3 1/2" Drain Assembly, 4" Wall Mount Faucet, Quarter-Turn Ceramic
 Cartridges, 4" Wrist Action Handles, 3" Swivel Gooseneck w/
 2.2 GPM Aerator & 1/2" NPT Male Inlets

Product Compliance:

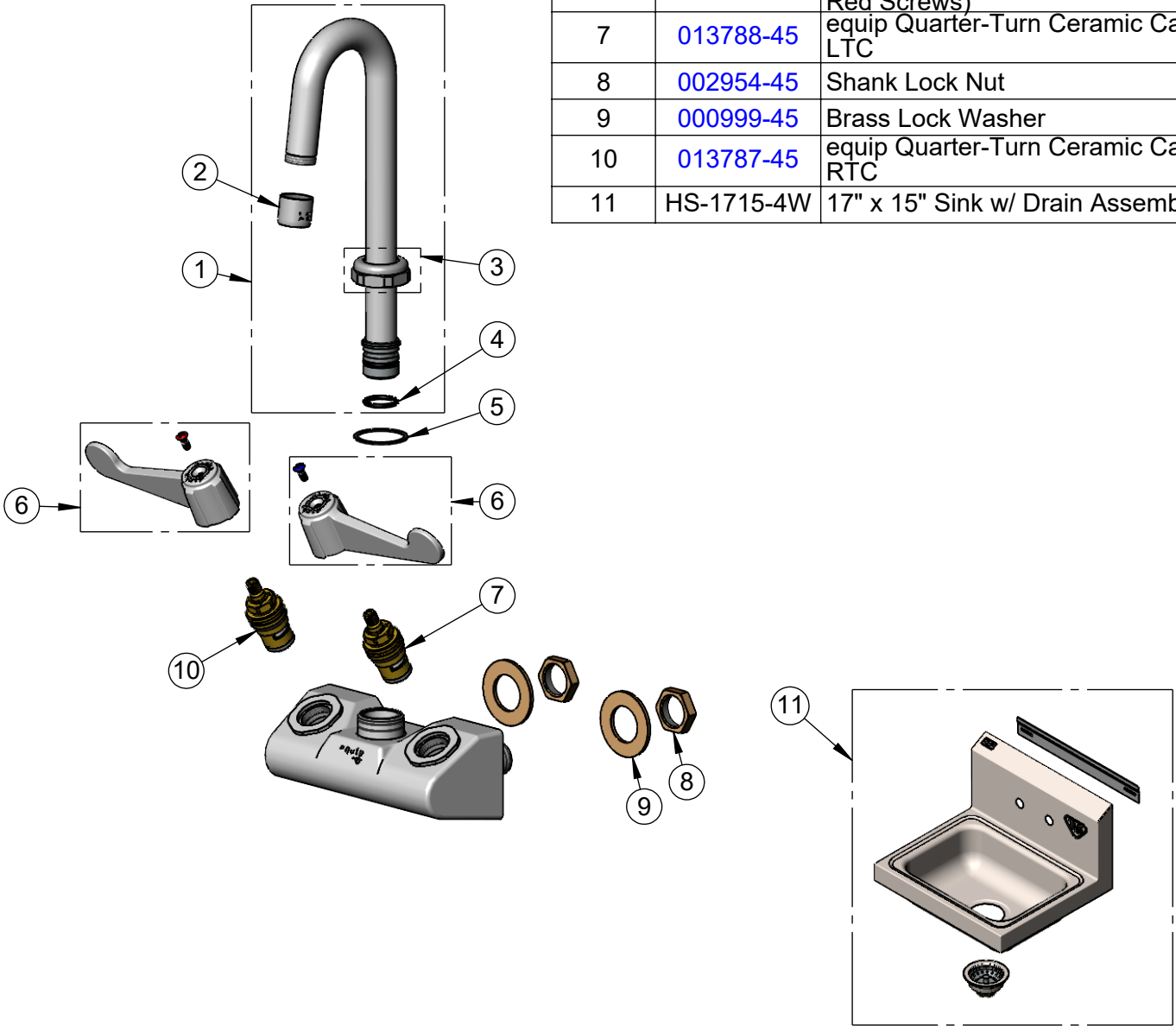
ASME A112.18.1 / CSA B125.1
 ASME A112.19.3 / CSA B45.4 (Sink & Drain)
 NSF 61 - Section 9
 NSF 372 (Low Lead Content)
 ANSI A117.1 (ADA)
 NSF / ANSI 2 (Sink & Drain)
 ASME A112.18.2 / CSA B125.2 (Drain)

equip
 Foodservice
 Accessories



2 Saddleback Cove, P.O. Box 1088
 Travelers Rest, South Carolina 29690
 Phone: 800.891.4808 Fax: 800.868.0084
 equip.tsbrass.com

ITEM NO.	SALES NO.	DESCRIPTION
1	5SP-03A	equip 3" Swivel Gooseneck w/ 2.2 GPM Aerator
2	013838-45	2.2 GPM Aerator, 3/4-27 UN Female
3	013839-25	equip Swivel Nut
4	013848-45	O-Ring
5	017587-45	Swivel Nut Seal
6	5-HDL-W	Wrist Action Handle (Includes Blue & Red Screws)
7	013788-45	equip Quarter-Turn Ceramic Cartridge, LTC
8	002954-45	Shank Lock Nut
9	000999-45	Brass Lock Washer
10	013787-45	equip Quarter-Turn Ceramic Cartridge, RTC
11	HS-1715-4W	17" x 15" Sink w/ Drain Assembly



Model Number

5F-4WWX03-4W

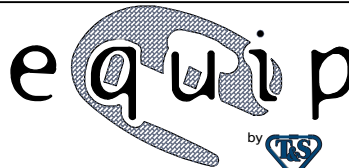
Product Specifications:

Hand Wash Sink w/ Manual Faucet, Stainless Steel Sink / Backsplash, 3 1/2" Drain Assembly, 4" Wall Mount Faucet, Quarter-Turn Ceramic Cartridges, 4" Wrist Action Handles, 3" Swivel Gooseneck w/ 2.2 GPM Aerator & 1/2" NPT Male Inlets

Product Compliance:

ASME A112.18.1 / CSA B125.1
 ASME A112.19.3 / CSA B45.4 (Sink & Drain)
 NSF 61 - Section 9
 NSF 372 (Low Lead Content)
 ANSI A117.1 (ADA)
 NSF / ANSI 2 (Sink & Drain)
 ASME A112.18.2 / CSA B125.2 (Drain)

equip
 Foodservice
 Accessories



2 Saddleback Cove, P.O. Box 1088
 Travelers Rest, South Carolina 29690
 Phone: 800.891.4808 Fax: 800.868.0084
 equip.tsbrass.com