



ADA Compliant

*This Space for Architect/Engineer Approval*

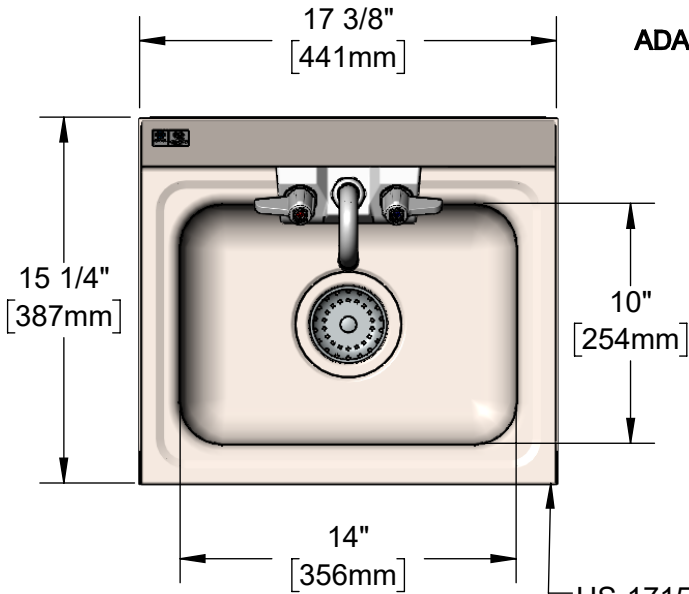
Job Name \_\_\_\_\_ Date \_\_\_\_\_

Model Specified \_\_\_\_\_ Quantity \_\_\_\_\_

Customer/Wholesaler \_\_\_\_\_

Contractor \_\_\_\_\_

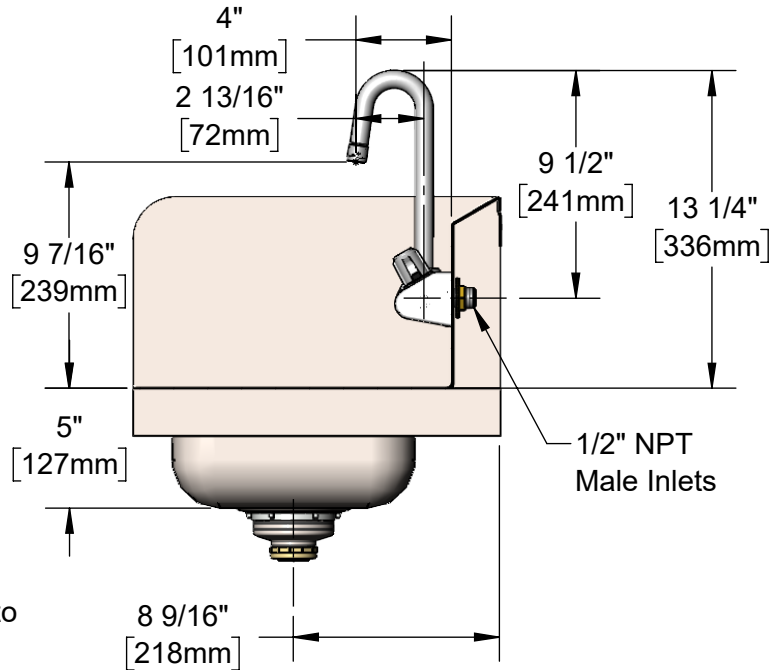
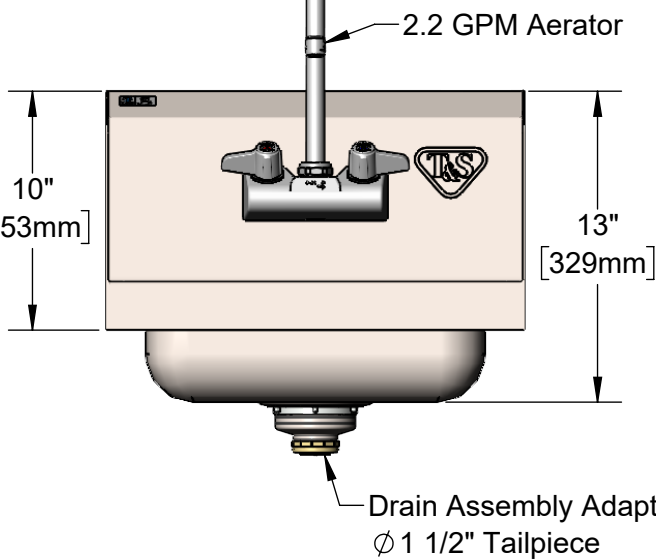
Architect/Engineer \_\_\_\_\_



HS-1715-4W-S  
 NSF Approved Stainless Steel Sink  
 with Side Splash Shields & 3 1/2"  
 Drain Hole. Supplied with Mounting  
 Bracket and Drain Assembly w/  
 Basket Strainer

5F-4WLX03

Manual Wall Mount  
Faucet



Model Number

**5F-4WLX03-4W-S**

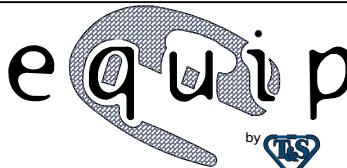
Product Specifications:

Hand Wash Sink w/ Manual Faucet, Stainless Steel Sink / Backsplash,  
 Side Splash Shields, 3 1/2" Drain Assembly, 4" Wall Mount Faucet,  
 Quarter-Turn Ceramic Cartridges, Lever Handles, 3" Swivel  
 Gooseneck w/ 2.2 GPM Aerator & 1/2" NPT Male Inlets

Product Compliance:

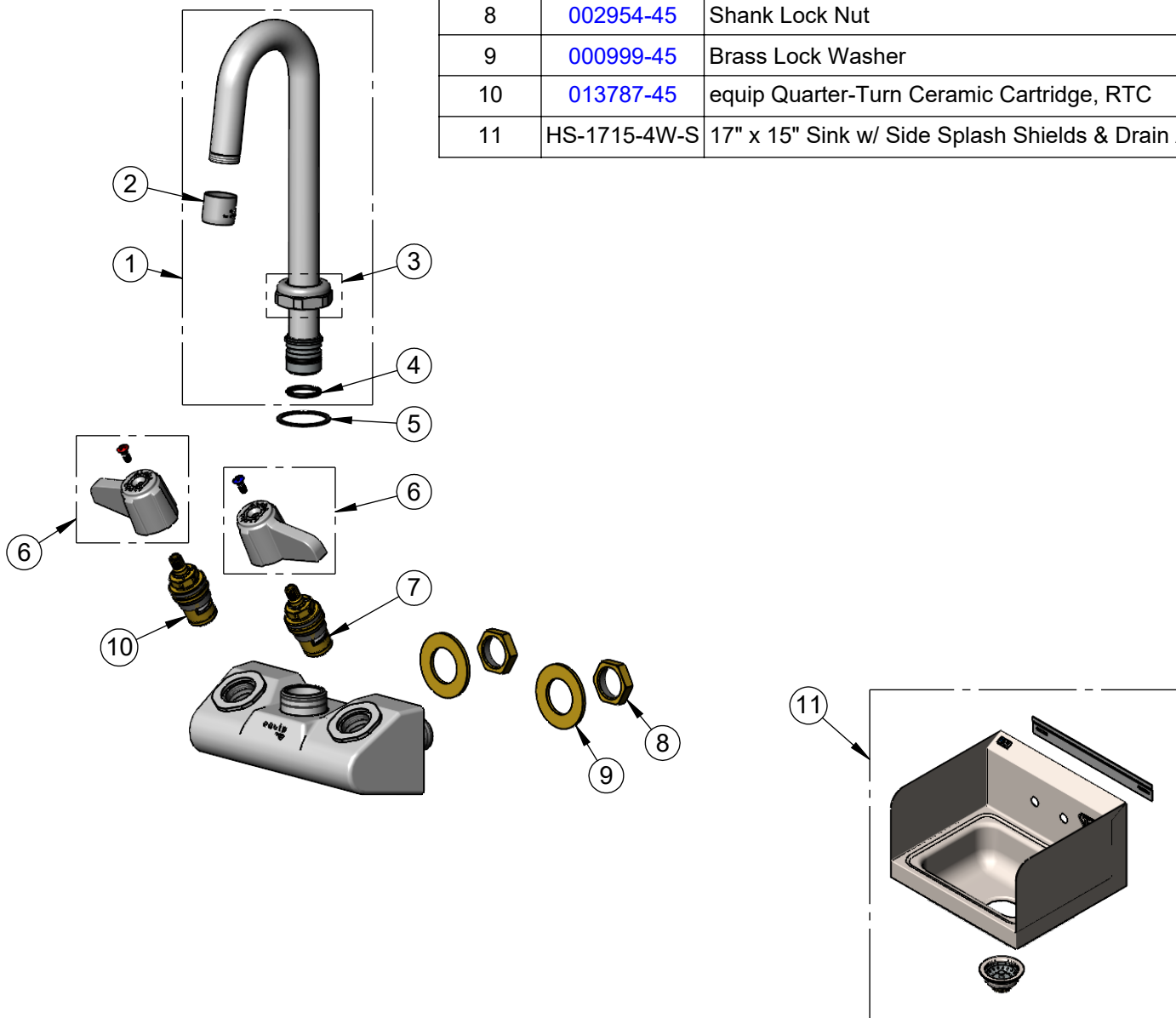
ASME A112.18.1 / CSA B125.1  
 ASME A112.19.3 / CSA B45.4 (Sink & Drain)  
 NSF 61 - Section 9  
 NSF 372 (Low Lead Content)  
 ANSI A117.1 (ADA)  
 NSF / ANSI 2 (Sink & Drain)  
 ASME A112.18.2 / CSA B125.2 (Drain)

equip  
 Foodservice  
 Accessories



2 Saddleback Cove, P.O. Box 1088  
 Travelers Rest, South Carolina 29690  
 Phone: 800.891.4808 Fax: 800.868.0084  
 equip.tsbrass.com

ITEM NO.	SALES NO.	DESCRIPTION
1	5SP-03A	equip 3" Swivel Gooseneck
2	013838-45	2.2 GPM Aerator, 3/4-27 UN Female
3	013839-25	equip Swivel Nut
4	013848-45	O-Ring
5	017587-45	Swivel Nut Seal
6	5-HDL-L	equip Lever Handle w/ Color Coded Screws
7	013788-45	equip Quarter-Turn Ceramic Cartridge, LTC
8	002954-45	Shank Lock Nut
9	000999-45	Brass Lock Washer
10	013787-45	equip Quarter-Turn Ceramic Cartridge, RTC
11	HS-1715-4W-S	17" x 15" Sink w/ Side Splash Shields & Drain Assembly



Model Number

**5F-4WLX03-4W-S**

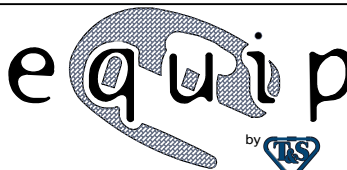
Product Compliance:

ASME A112.18.1 / CSA B125.1  
 ASME A112.19.3 / CSA B45.4 (Sink & Drain)  
 NSF 61 - Section 9  
 NSF 372 (Low Lead Content)  
 ANSI A117.1 (ADA)  
 NSF / ANSI 2 (Sink & Drain)  
 ASME A112.18.2 / CSA B125.2 (Drain)

Product Specifications:

Hand Wash Sink w/ Manual Faucet, Stainless Steel Sink / Backsplash,  
 Side Splash Shields, 3 1/2" Drain Assembly, 4" Wall Mount Faucet,  
 Quarter-Turn Ceramic Cartridges, Lever Handles, 3" Swivel  
 Gooseneck w/ 2.2 GPM Aerator & 1/2" NPT Male Inlets

equip  
 Foodservice  
 Accessories



2 Saddleback Cove, P.O. Box 1088  
 Travelers Rest, South Carolina 29690  
 Phone: 800.891.4808 Fax: 800.868.0084  
 equip.tsbrass.com