



**ADA Compliant**

*This Space for Architect/Engineer Approval*

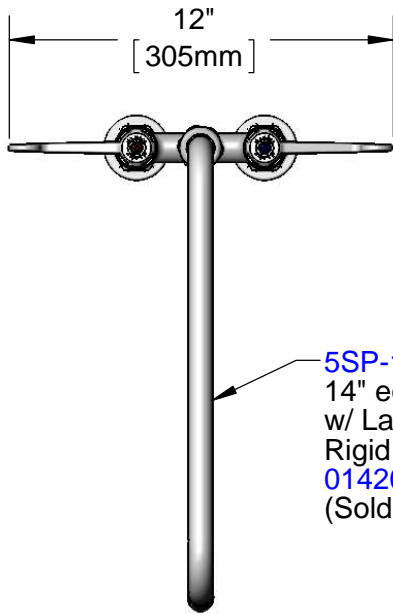
Job Name \_\_\_\_\_ Date \_\_\_\_\_

Model Specified \_\_\_\_\_ Quantity \_\_\_\_\_

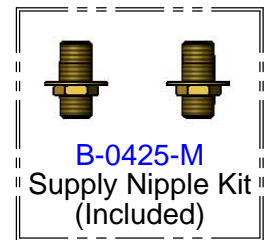
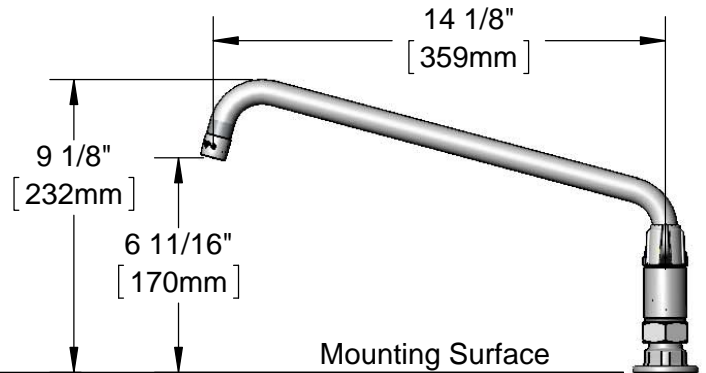
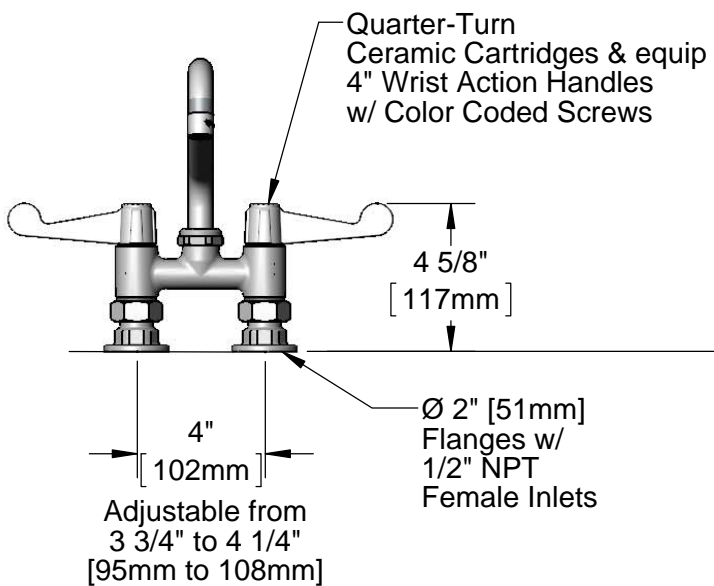
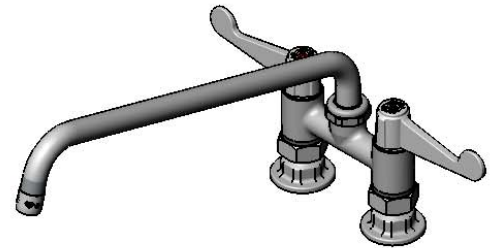
Customer/Wholesaler \_\_\_\_\_

Contractor \_\_\_\_\_

Architect/Engineer \_\_\_\_\_



**5SP-14**  
14" equip Swing Nozzle  
w/ Laminar Flow Device.  
Rigid Conversion Requires  
**014200-45** Lock Washer  
(Sold Separately)



Rough-In Requirement:  
(2) Ø 1" [25mm] Mounting Holes

Model Number  
**5F-4DWS14**

Product Compliance:  
ASME A112.18.1 / CSA B125.1  
NSF 61 - Section 9  
NSF 372 (Low Lead Content)  
ANSI A117.1 (ADA)

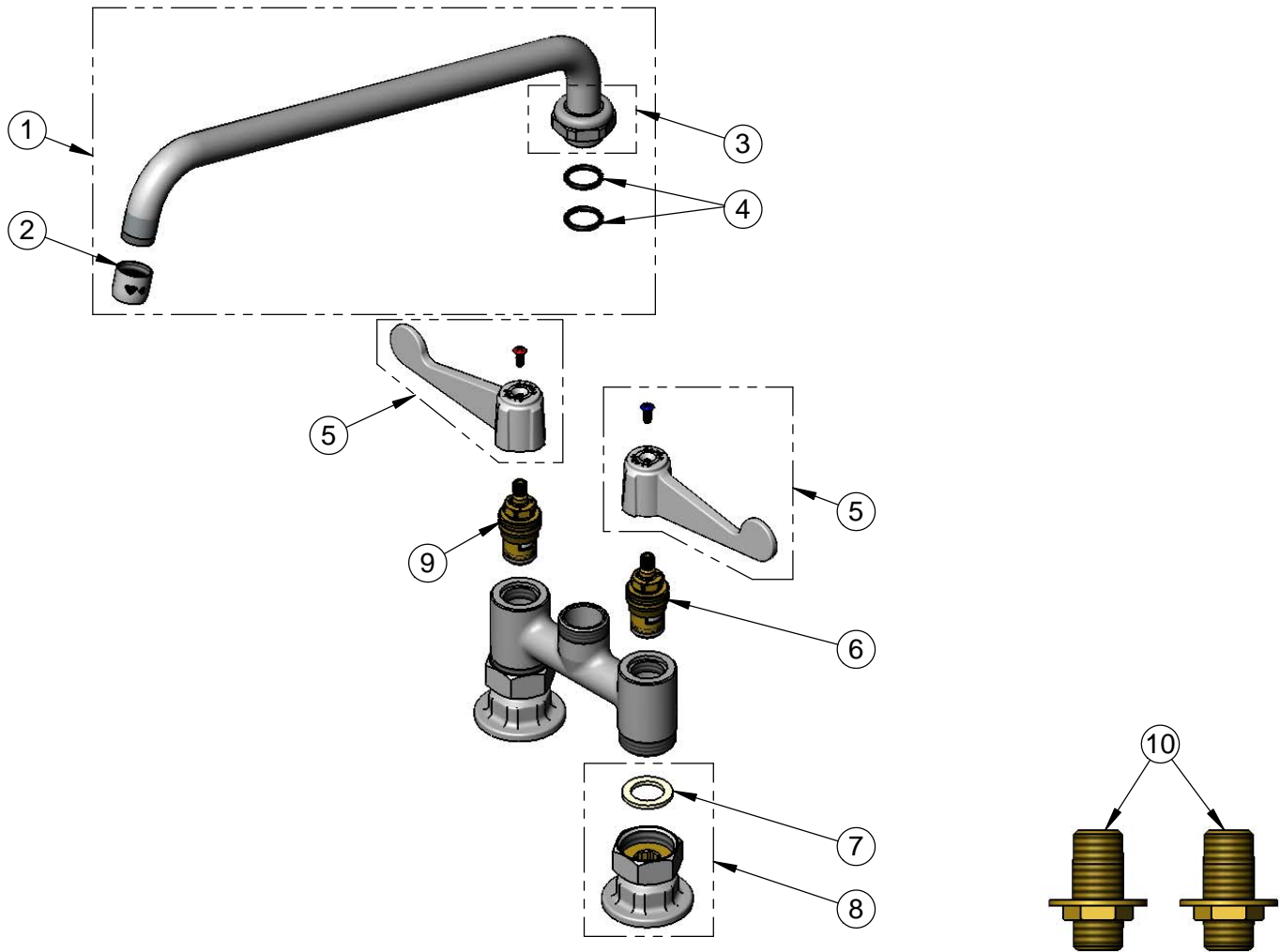
Product Specifications:  
4" Deck Mount Mixing Faucet w/ Quarter-Turn Ceramic Cartridges,  
equip 4" Wrist Action Handles, 14" equip Swing Nozzle  
& 1/2" NPT Supply Nipple Kit

equip Foodservice Accessories



2 Saddleback Cove, P.O. Box 1088  
Travelers Rest, South Carolina 29690  
Phone: 800.891.4808 Fax: 800.868.0084  
equip.tsbrass.com

ITEM NO.	SALES NO.	DESCRIPTION
1	5SP-14	14" equip Swing Nozzle
2	014250-45	Laminar Flow Device
3	13839-25	equip Swivel Nut
4	013848-45	equip Swivel Piece O-ring
5	5-HDL-W	equip 4" Wrist Action Handle w/ Color Coded Screws
6	013788-45	equip Ceramic Cartridge, LTC
7	001019-45	Coupling Nut Washer
8	00AA	1/2" NPT Female Eccentric Flange
9	013787-45	equip Ceramic Cartridge, RTC
10	B-0425-M	1/2" NPT Supply Nipple Kit (2)



Model Number

**5F-4DWS14**

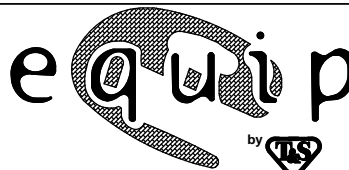
Product Specifications:

4" Deck Mount Mixing Faucet w/ Quarter-Turn Ceramic Cartridges,  
equip 4" Wrist Action Handles, 14" equip Swing Nozzle  
& 1/2" NPT Supply Nipple Kit

Product Compliance:

ASME A112.18.1 / CSA B125.1  
NSF 61 - Section 9  
NSF 372 (Low Lead Content)  
ANSI A117.1 (ADA)

equip  
Foodservice  
Accessories



2 Saddleback Cove, P.O. Box 1088  
Travelers Rest, South Carolina 29690  
Phone: 800.891.4808 Fax: 800.868.0084  
equip.tsbrass.com